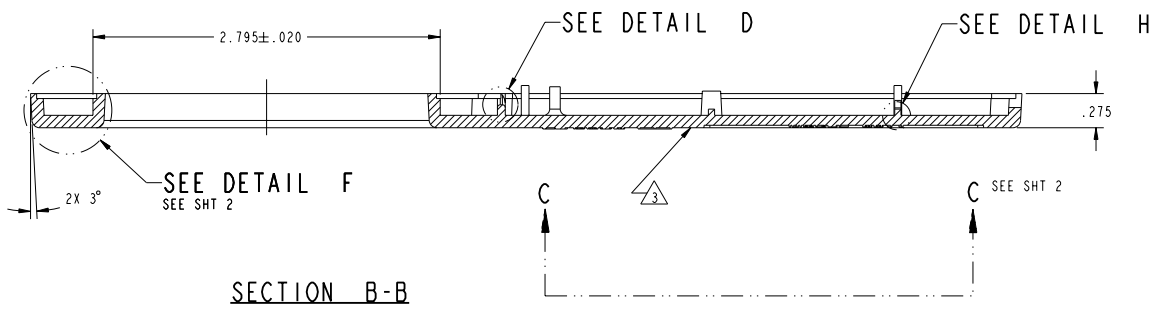
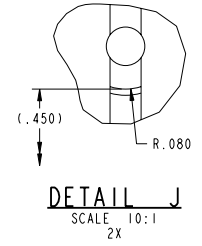
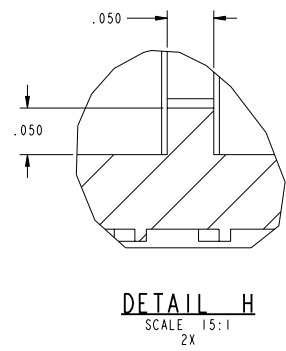
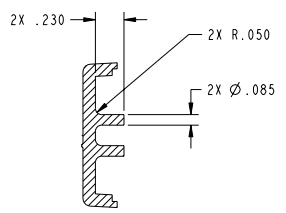
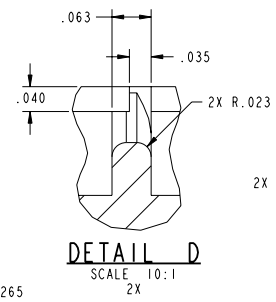
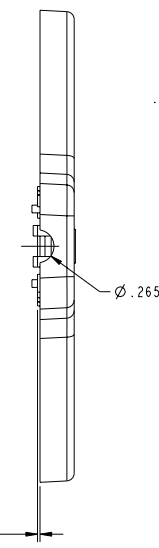
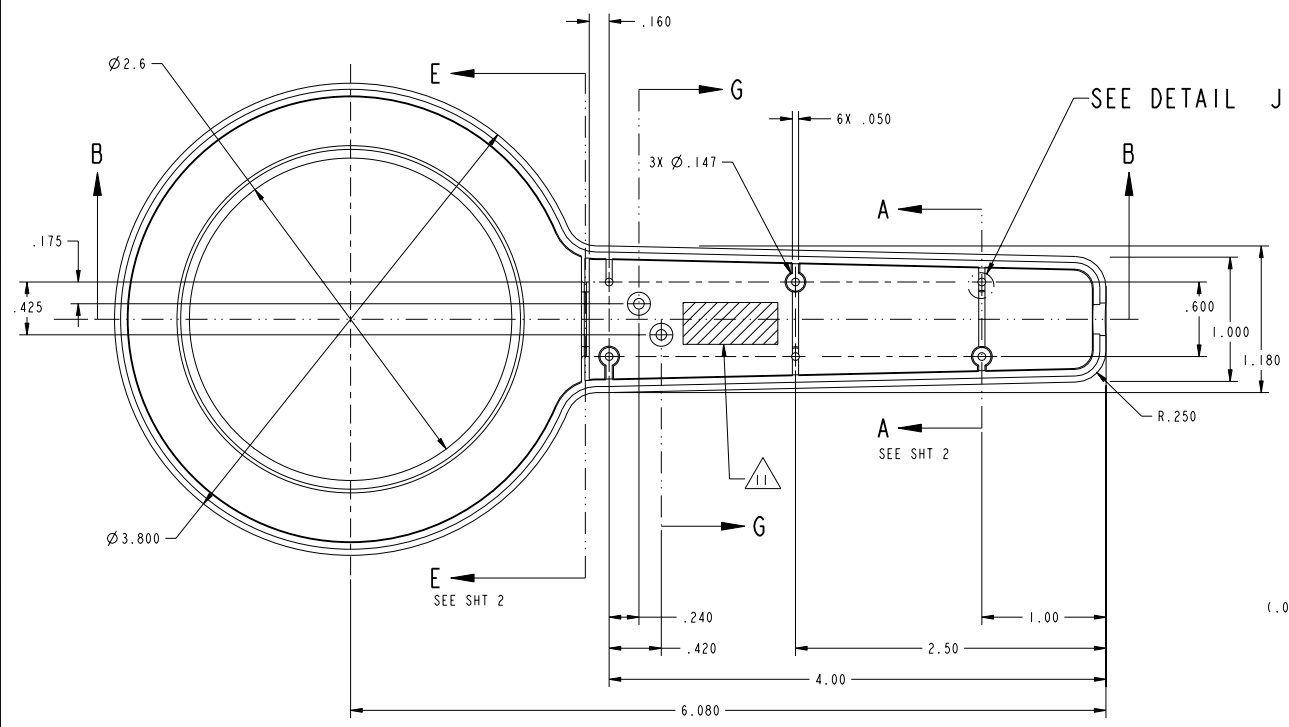


Antenna Gain = 1 dBi

SEE PDM SYSTEM FOR STATUS INFO

DOC REV	DESCRIPTION OF CHANGE	CO
A	PRE-PRODUCTION RELEASE	45515
B	UPDATED NOTE 4 AND 10	46163
C	RELEASE TO PRODUCTION	45796

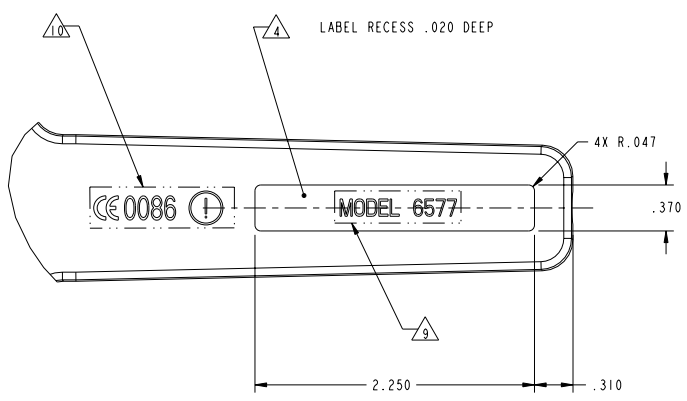


GUIDANT CONFIDENTIAL UNAUTHORIZED USE IS PROHIBITED.		GUIDANT		DO NOT SCALE DRAWING	
ASME Y14.5M-1994 APPLIES	UNSPECIFIED TOLERANCES:	.X = ± .1 .XX = ± .01	.XXX = ± .005 ANG = ± 2°	SHEET 1 OF 3	
HOUSING WAND 6577 BLUE BACK CE					
DRW DATE: 25-JUL-03					
WIP		355479-004 C			

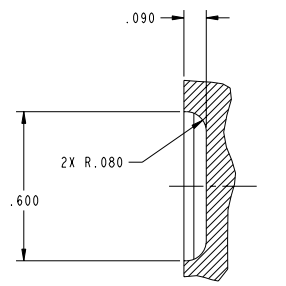
Guidant Confidential. Unauthorized use is prohibited.
HOUSING WAND 6577 BLUE BACK CE

Production

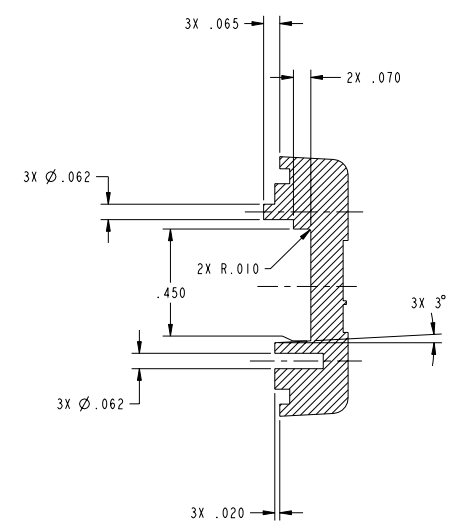
355479-004 C.4



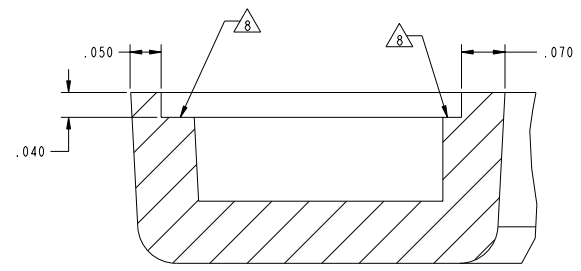
VIEW C-C



SECTION E-E
SCALE 4:1



SECTION A-A
SCALE 4:1



DETAIL F
SCALE 10:1

GUIDANT CONFIDENTIAL UNAUTHORIZED USE IS PROHIBITED
SHEET 2 OF 3
HOUSING WAND 6577 BLUE BACK CE
WIP 355479-004 C

NOTES:

1. MATERIAL: POLYPHTHALATE CARBONATE, G.E. LEXAN 4501 PPC.
0.100 NOMINAL WALL THICKNESS.
COLOR: BLUE, PER GENERAL ELECTRIC BL5154
MANUFACTURER: CAROBA PLASTICS

2. BLEND INTERSECTION OF ALL RADII.

3. EXTERIOR SURFACE MUST HAVE MOLD TECH #1055 0.0015 (0.040) DEEP TEXTURE.
ALL OTHER SURFACES MUST BE SPE/SPI #3 OR FINER.

4. FINISH SPE/SPI B2 OR FINER.

5. CORNERS AND EDGES SHOWN SHARP MAY HAVE 0.020 (0.51) MAXIMUM RADIUS.

6. MAXIMUM FLASH MUST BE LESS THAN 0.010 (0.25) AND NOT ON ANY EXTERIOR SURFACES.
EXTERIOR SURFACE MUST BE FREE OF TOOL MARKS AND BLEMISHES.

7. LOCATION OF GATE, PARTING LINES AND KNOCKOUT PINS MUST BE APPROVED BY
GUIDANT ENGINEERING DEPARTMENT BEFORE TOOLING IS FABRICATED. IN PREAPPROVED
LOCATIONS, A RANGE OF 0.006 TO -0.020 GATE VESTIGE IS ALLOWED WITH NO SHARP EDGES.

8. TEXTURE WELDING SURFACE WITH BRANSON 600 TEXTURE.

9. TEXT SURFACE MUST HAVE MOLD TECH #1055 0.0015 (0.040) DEEP TEXTURE.

10. TEXT SURFACE RAISED 0.010, FINE EDM FINISH.

11. PERMANENTLY MARK PART NUMBER IN THE LOCATION INDICATED.

GUIDANT CONFIDENTIAL UNAUTHORIZED USE IS PROHIBITED
SHEET 3 OF 3
HOUSING WAND 6577 BLUE BACK CE
WIP 355479-004 C

Guidant Confidential. Unauthorized use is prohibited.
HOUSING WAND 6577 BLUE BACK CE