

Crestron Flex 10 in. Video Desk Phone for Microsoft Teams® Software

Getting Started

Scan the QR code to view the Quick Start Guide.



www.crestron.com/docs/8953

For additional information on the Crestron® UC-P10-T-C, visit www.crestron.com/model/6511680.

For additional information on the Crestron® UC-P10-T-C-I, visit www.crestron.com/model/6511688.

For additional information on the Crestron® UC-P10-T-C-HS, visit www.crestron.com/model/6511679.

For additional information on the Crestron® UC-P10-T-C-HS-I, visit www.crestron.com/model/6511687.

Certification and Compliance

Regulatory Model: M202029001

Federal Communications Commission (FCC) Compliance Statement

This device complies with part 15 of the FCC Rules. Operation is subject to the following conditions: (1) This device may not cause harmful interference and (2) this device must accept any interference received, including interference that may cause undesired operation.

CAUTION: Changes or modifications not expressly approved by the manufacturer responsible for compliance could void the user's authority to operate the equipment.

NOTE: This equipment has been tested and found to comply with the limits for a Class B digital device, pursuant to part 15 of the FCC Rules. These limits are designed to provide reasonable protection against harmful interference in a residential installation. This equipment generates, uses and can radiate radio frequency energy and, if not installed and used in accordance with the instructions, may cause harmful interference to radio communications. However, there is no guarantee that interference will not occur in a particular installation. If this equipment does cause harmful interference to radio or television

reception, which can be determined by turning the equipment off and on, the user is encouraged to try to correct the interference by one or more of the following measures:

- Reorient or relocate the receiving antenna.
- Increase the separation between the equipment and receiver.
- Connect the equipment into an outlet on a circuit different from that to which the receiver is connected.
- Consult the dealer or an experienced radio/TV technician for help.

Industry Canada (IC) Compliance Statement

CAN ICES-3 (B)/NMB-3(B)

As of the date of manufacture, the product has been tested and found to comply with specifications for CE marking.



This product is listed to applicable UL® Standards and requirements tested by Intertek® services.

Ce produit est homologué selon les normes et les exigences UL applicables par Intertek Prestations de service.



The Waste Electrical & Electronic Equipment (WEEE) directive marking on a product indicates that it should not be disposed of with general waste. Instead, you are encouraged to reuse or recycle the product in accordance with Directive 2012/19/EU of the European Union. Proper disposal of this product will help prevent potential negative effects on the environment and human health, which could otherwise be caused by inappropriate waste handling. Penalties may be applicable for incorrect disposal of this waste, in accordance with your national legislation. For information about recycling this product, please contact your household waste disposal service, your original distributor, or Crestron.



Legal

The product warranty can be found at www.crestron.com/warranty.

The specific patents that cover Crestron products are listed at www.crestron.com/legal/patents.

Certain Crestron products contain open source software. For specific information, visit www.crestron.com/opensource.

Crestron and the Crestron logo are either trademarks or registered trademarks of Crestron Electronics, Inc. in the United States and/or other countries. Intertek and the Intertek logo are either trademarks or registered trademarks of Intertek Corporation in the United States and/or other countries. Microsoft Teams is either a trademark or registered trademark of Microsoft Corporation in the United States and/or other countries. UL is either a trademark or registered trademark of Underwriters Laboratories, Inc. in the United States and/or other countries. Other trademarks, registered trademarks, and trade names may be used in this document to refer to either the entities claiming the marks and names or their products. Crestron disclaims any proprietary interest in the marks and names of others. Crestron is not responsible for errors in typography or photography.

©2021 Crestron Electronics, Inc.

Crestron Electronics, Inc.

15 Volvo Drive, Rockleigh, NJ 07647

Tel: 888.CRESTRON

Fax: 201.767.7656

www.crestron.com

Product Information - Doc. 8952A

2057077

01/29/21

Crestron Flex 10 in. Video Desk Phone for Microsoft Teams® Software

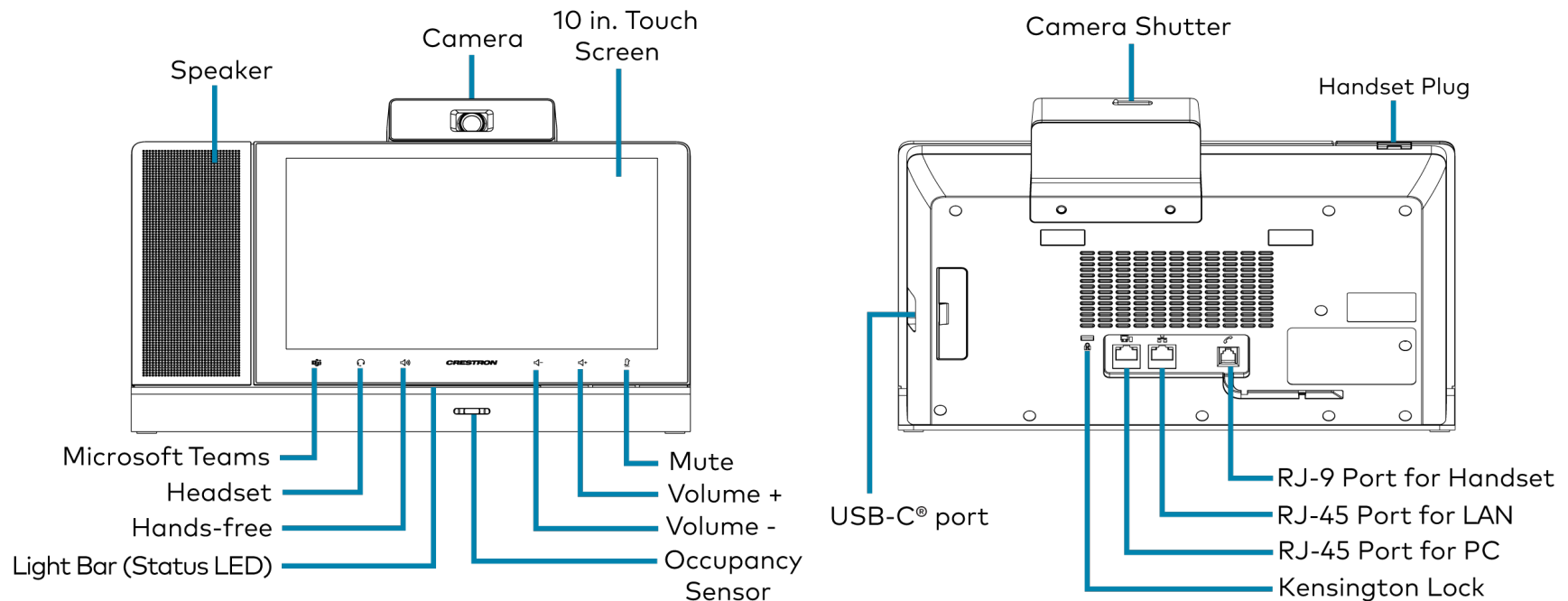
The Crestron® Flex UC-P10 video desk phones are designed for use with the Microsoft Teams® communications platform. They provide superior video calling, simple operation, hands-free conferencing, and a consistent user experience with the Microsoft Teams touch screen UI.

All UC-P10 series desk phones require a Microsoft Teams account.

The information provided in this Quick Start guide is applicable for the following variants:

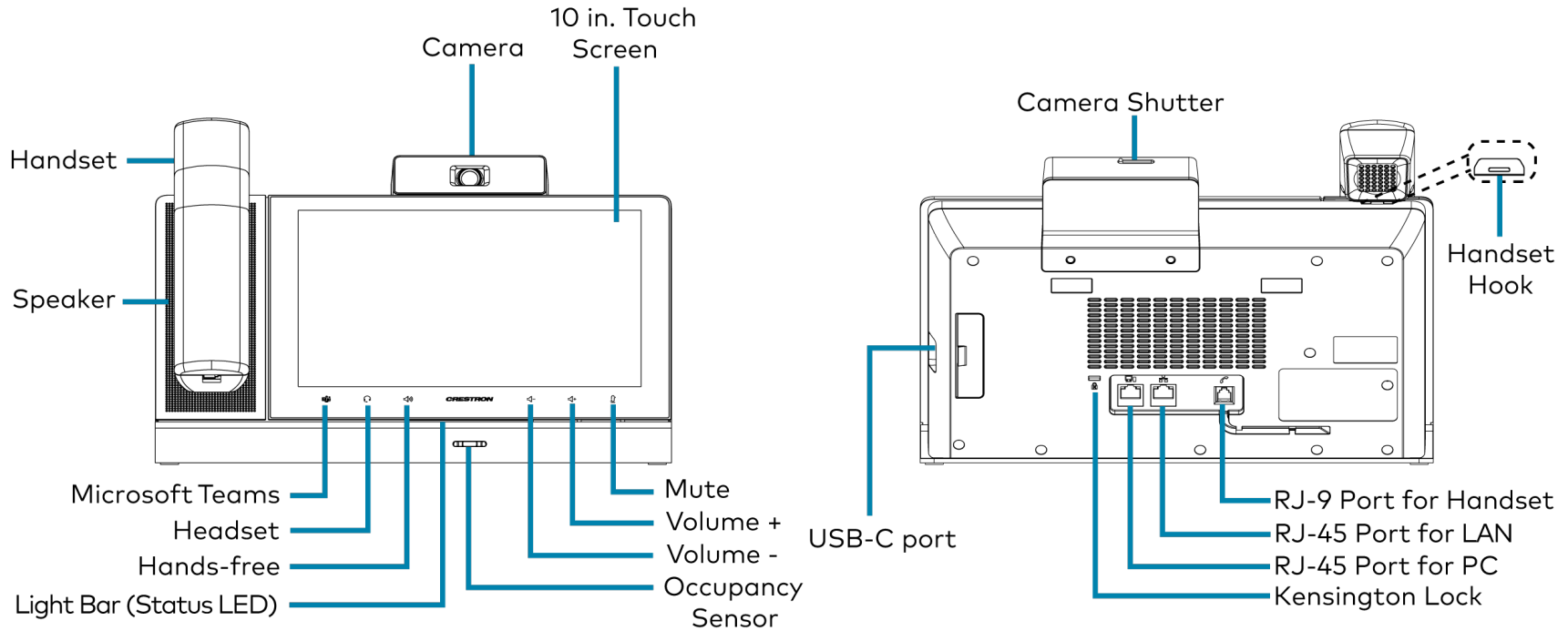
- Crestron Flex 10 in. Video Desk Phone for Microsoft Teams Software ([UC-P10-T-C](#))
- Crestron Flex 10 in. Video Desk Phone for Microsoft Teams Software, International ([UC-P10-T-C-I](#))
- Crestron Flex 10 in. Video Desk Phone with Handset for Microsoft Teams Software ([UC-P10-T-C-HS](#))
- Crestron Flex 10 in. Video Desk Phone with Handset for Microsoft Teams Software, International ([UC-P10-T-C-HS-I](#))

UC-P10-T-C and UC-P10-T-C-I



Crestron Flex 10 in. Video Desk Phone for Microsoft Teams® Software

UC-P10-T-C-HS and UC-P10-T-C-HS-I



In the Box

- 1 Crestron Flex 10 in. Video Desk Phone for Microsoft Teams® Software (6511680, 6511688, 6511679, or 6511687)
- 1 Cable, CAT5e, RJ-45-to-RJ-45, approx. 12 ft (3.7 m) (2056842)

For UC-P10-T-C-HS and UC-P10-T-C-HS-I Only

- 1 HD wideband handset (2056841)
- 1 Cord, handset, RJ-9 - RJ-9 (2056801)
- 1 Plug, handset (2057003)

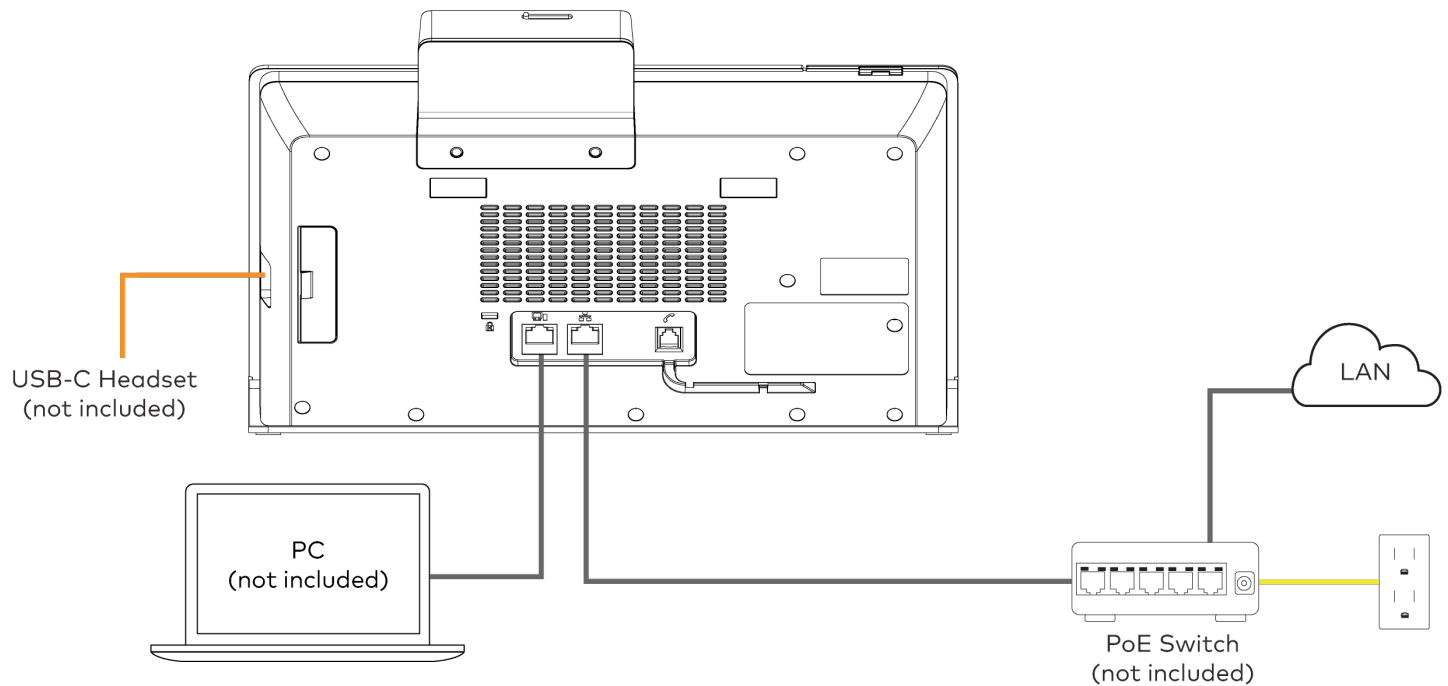
Crestron Flex 10 in. Video Desk Phone for Microsoft Teams® Software



Connections

UC-P10-T-C and UC-P10-T-C-I

- **CAT5e**
12 ft CAT5e cable for PoE
CAT5e cable for PC
(not included)
- **Power**
Power supply
- **USB**
USB Type-C cable
(not included)

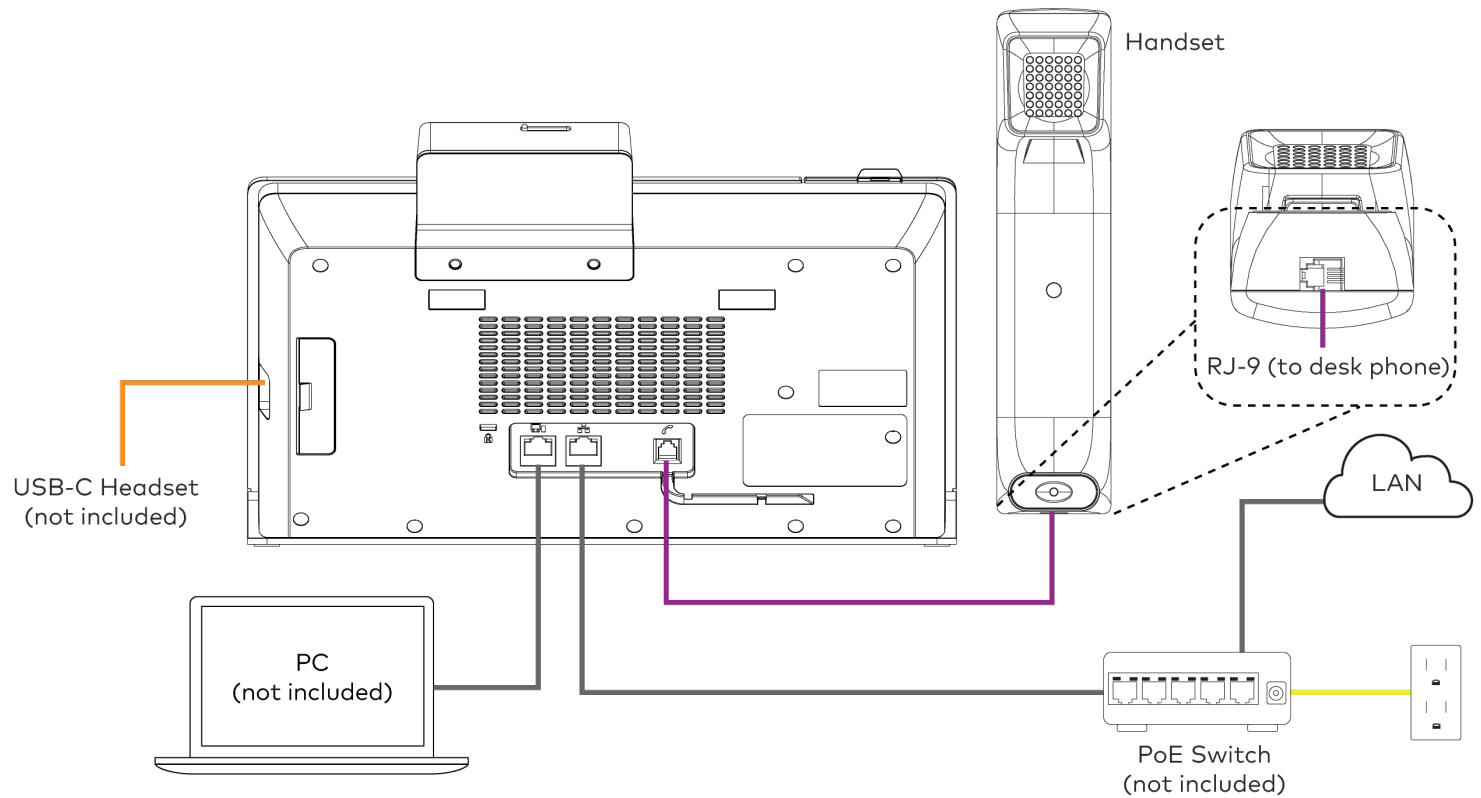


NOTE: All desk phones support both USB-C and Bluetooth® headsets, but only one can be used at a time.

Crestron Flex 10 in. Video Desk Phone for Microsoft Teams® Software

UC-P10-T-C-HS and UC-P10-T-C-HS-I

- **CAT5e**
12 ft CAT5e cable for PoE
CAT5e cable for PC
(not included)
- **Handset**
Handset cord
- **Power**
Power supply
- **USB**
USB Type-C cable
(not included)



NOTE: All desk phones support both USB-C and Bluetooth headsets, but only one can be used at a time.

Crestron Flex 10 in. Video Desk Phone for Microsoft Teams® Software

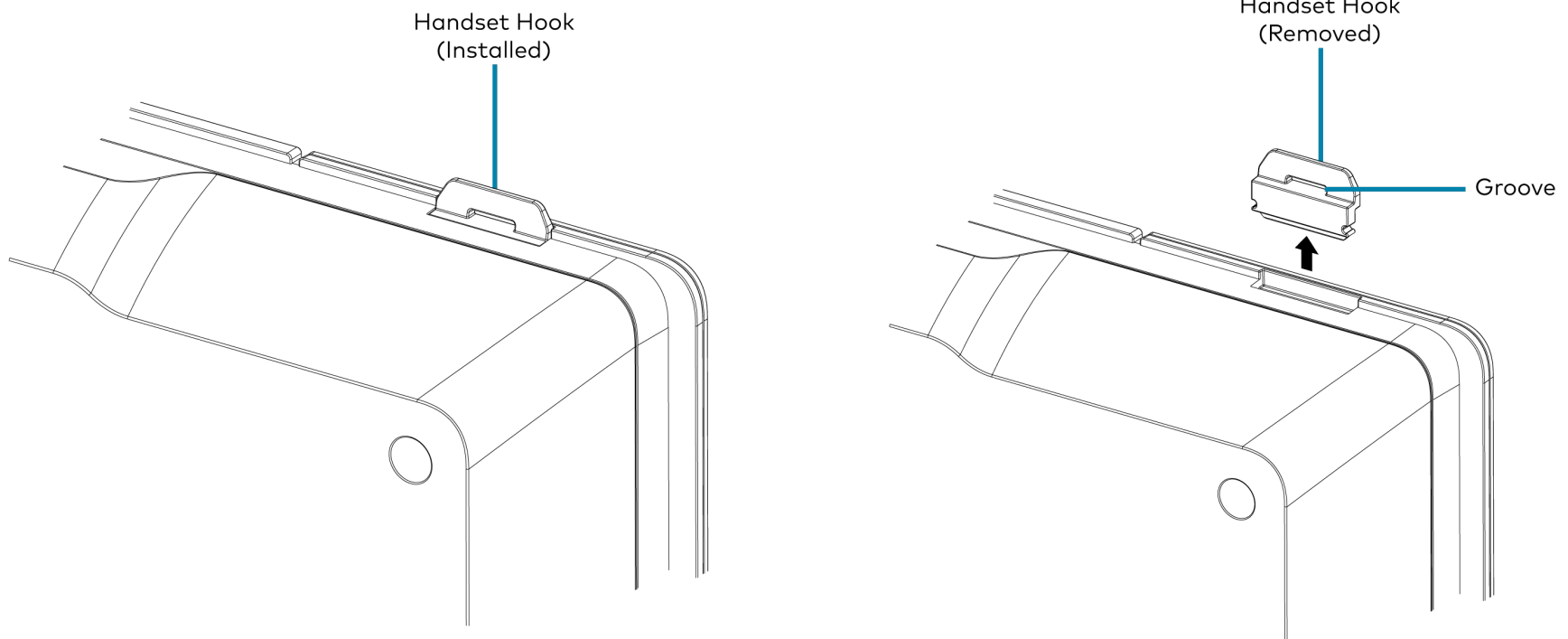


Replacing the Handset Hook with the Handset Plug

For a cleaner appearance, the handset hook can be replaced with the handset plug if not using the handset with the UC-P10-T-C-HS and UC-P10-T-C-HS-I desk phones.

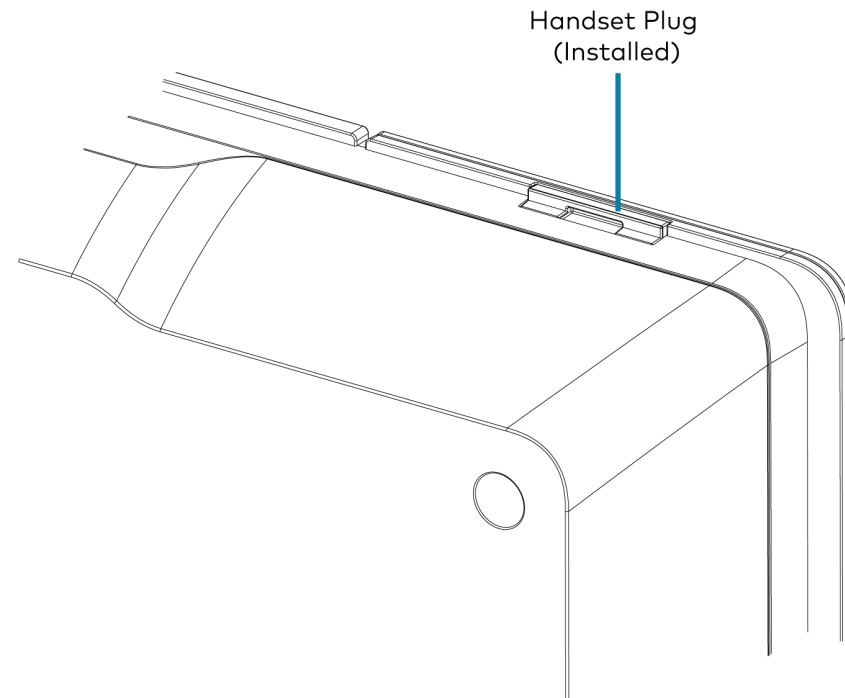
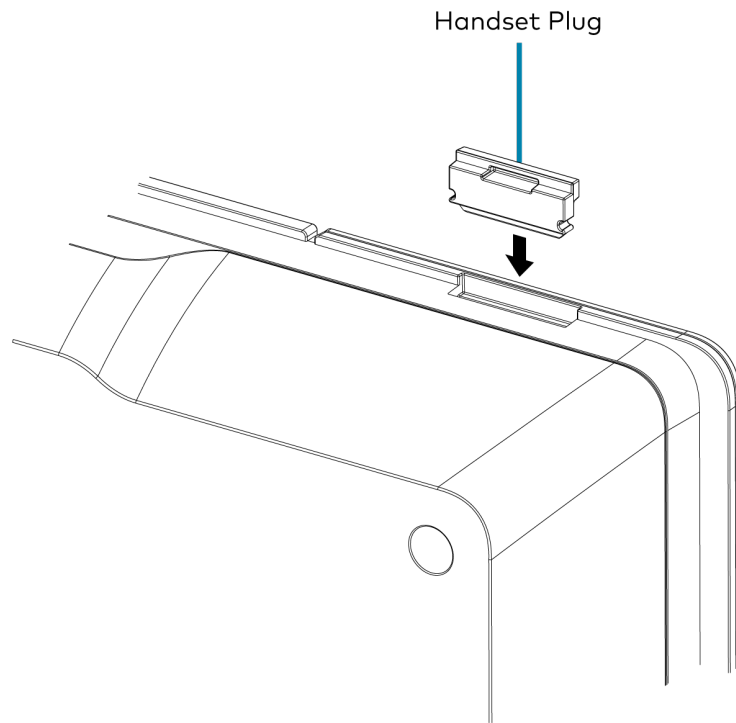
To replace the handset hook with the handset plug:

1. Insert a flat-tip screwdriver or similar tool into the groove to pull up and remove the handset hook from the desk phone, as shown below.



Crestron Flex 10 in. Video Desk Phone for Microsoft Teams® Software

2. Once the handset hook is removed, insert and push the handset plug into the recess as shown below.



Crestron Flex 10 in. Video Desk Phone for Microsoft Teams® Software



Sign Into Microsoft Teams

When prompted by the desk phone, tap **Sign In** and follow the on-screen instructions to sign into Microsoft Teams.



Configure

Use the phone's settings screens to configure the phone. The default password to access the administrator settings is "admin". Choose a new password when prompted.



Factory Reset

A factory reset may be performed when troubleshooting.

To perform a factory reset on the phone:

1. Power cycle the phone by disconnecting and reconnecting the ethernet cable to the PoE switch.
2. When the phone powers on and the LEDs flash green, press and hold the Volume+ and Mute buttons together for at least 10 seconds.
3. When prompted, confirm the factory reset. Press Volume- and Volume+ to select the option, and press Mute for **OK**.
4. The phone will reboot.



Visit the Product Page

Scan the QR code to visit the product page.

UC-P10-T-C



www.crestron.com/model/6511680

UC-P10-T-C-I



www.crestron.com/model/6511688

UC-P10-T-C-HS



www.crestron.com/model/6511679

UC-P10-T-C-HS-I



www.crestron.com/model/6511687

Crestron Flex 10 in. Video Desk Phone for Microsoft Teams® Software



Important Safety Instructions

WARNING: When using this product, basic precautions should always be followed, including the following:

1. Read these instructions carefully.
2. All cautions and warnings should be followed.
3. The equipment should only be used at maximum 40°C (104°F) ambient temperature.
4. Opening the equipment could result in electrical shock and should only be done by qualified service personnel.
5. Protect equipment from humidity.
6. Do not insert foreign objects or liquids into the openings, this could cause a fire or electrical shock.
7. Do not use chemical detergents to clean your device, use a soft dry cloth.
8. To avoid damage from electrical peaks unplug the device when it is not in use.
9. If one of the following situations arise, equipment has to be checked by qualified service personnel:
 - Liquid has penetrated into the equipment.
 - Equipment has been exposed to humidity.
 - Equipment has been dropped and/or is damaged.
 - Equipment has obvious sign of breakage.
 - Equipment does not work well or you cannot get it working according to user's manual.
10. Do not expose the equipment to water or place objects filled with water on top of it.



Instructions de sécurité importantes

Les avertissements: concernant l'utilisation de ce produit doivent toujours être fondés sur les précautions fondamentales, notamment:

1. Lisez attentivement ces notes.
2. Tous les avertissements et avertissements doivent être respectés.
3. L'équipement ne peut être utilisé qu'à une température ambiante maximale de 40°C (104°F).
4. L'ouverture de l'appareil peut provoquer un choc électrique qui ne peut être assuré que par un personnel d'entretien qualifié.
5. Empêcher l'humidité du dispositif.
6. Il est interdit d'introduire des objets étrangers ou liquides dans l'ouverture, faute de quoi cela pourrait provoquer un incendie ou un choc électrique.
7. Ne pas utiliser d'appareil de nettoyage chimique et utiliser un tissu sec souple.
8. Pour éviter les dommages de crête électrique, retirez la fiche d'alimentation lorsque le dispositif n'est pas utilisé.
9. Dans l'un des cas énoncés ci-dessous, le matériel doit être vérifié par un service qualifié:
 - Dispositif d'infiltration de liquide.
 - L'équipement est exposé à l'humidité.
 - Matériel tombé et / ou endommagé.
 - L'équipement a été endommagé.
 - Le matériel ne fonctionne pas correctement ou ne peut pas être utilisé conformément au Manuel de l'utilisateur.
10. L'équipement ne doit pas être exposé à l'eau ni être placé sur des objets remplis d'eau.

Crestron Flex 10 in. Video Desk Phone for Microsoft Teams® Software

Additional Information

Original Instructions

The U.S. English version of this document is the original instructions.
All other languages are a translation of the original instructions.

Regulatory Model:M202029001

Crestron product development software is licensed to Crestron dealers and Crestron Service Providers (CSPs) under a limited nonexclusive, nontransferable Software Development Tools License Agreement. Crestron product operating system software is licensed to Crestron dealers, CSPs, and end-users under a separate End-User License Agreement. Both of these Agreements can be found on the Crestron website at www.crestron.com/legal/software_license_agreement.

The product warranty can be found at www.crestron.com/warranty.

The specific patents that cover Crestron products are listed at www.crestron.com/legal/patents.

Certain Crestron products contain open source software. For specific information, visit www.crestron.com/opensource.

Crestron and the Crestron logo are either trademarks or registered trademarks of Crestron Electronics, Inc. in the United States and/or other countries. Kensington is either a trademark or registered trademark of ACCO Brands, Inc. in the United States and/or other countries. Bluetooth is either a trademark or registered trademark of Bluetooth SIG, Inc. in the United States and/or other countries. Microsoft Teams is either a trademark or registered trademark of Microsoft Corporation in the United States and/or other countries. USB-C is either a trademark or registered trademark of USB Implementers Forum, Inc. in the United States and/or other countries. Other trademarks, registered trademarks, and trade names may be used in this document to refer to either the entities claiming the marks and names or their products. Crestron disclaims any proprietary interest in the marks and names of others. Crestron is not responsible for errors in typography or photography.

©2021 Crestron Electronics, Inc.

Doc. 8953A

03/15/21

Crestron Flex 10 in. Audio Desk Phone for Microsoft Teams® Software

Getting Started

Scan the QR code to view the Quick Start Guide.



www.crestron.com/docs/8951

For additional information on the Crestron® UC-P10-T, visit

www.crestron.com/model/6511684.

For additional information on the Crestron® UC-P10-T-I, visit

www.crestron.com/model/6511692.

For additional information on the Crestron® UC-P10-T-HS, visit

www.crestron.com/model/6511683.

For additional information on the Crestron® UC-P10-T-HS-I, visit

www.crestron.com/model/6511691.

Certification and Compliance

Regulatory Model: M202029001

Federal Communications Commission (FCC) Compliance Statement

This device complies with part 15 of the FCC Rules. Operation is subject to the following conditions: (1) This device may not cause harmful interference and (2) this device must accept any interference received, including interference that may cause undesired operation.

CAUTION: Changes or modifications not expressly approved by the manufacturer responsible for compliance could void the user's authority to operate the equipment.

NOTE: This equipment has been tested and found to comply with the limits for a Class B digital device, pursuant to part 15 of the FCC Rules. These limits are designed to provide reasonable protection against harmful interference in a residential installation. This equipment generates, uses and can radiate radio frequency energy and, if not installed and used in accordance with the instructions, may cause harmful interference to radio communications. However, there is no guarantee that interference will not occur in a particular installation. If this equipment does cause harmful interference to radio or television

reception, which can be determined by turning the equipment off and on, the user is encouraged to try to correct the interference by one or more of the following measures:

- Reorient or relocate the receiving antenna.
- Increase the separation between the equipment and receiver.
- Connect the equipment into an outlet on a circuit different from that to which the receiver is connected.
- Consult the dealer or an experienced radio/TV technician for help.

Industry Canada (IC) Compliance Statement

CAN ICES-3 (B)/NMB-3(B)

As of the date of manufacture, the product has been tested and found to comply with specifications for CE marking.



This product is listed to applicable UL® Standards and requirements tested by Intertek® services.

Ce produit est homologué selon les normes et les exigences UL applicables par Intertek Prestations de service.



The Waste Electrical & Electronic Equipment (WEEE) directive marking on a product indicates that it should not be disposed of with general waste. Instead, you are encouraged to reuse or recycle the product in accordance with Directive 2012/19/EU of the European Union. Proper disposal of this product will help prevent potential negative effects on the environment and human health, which could otherwise be caused by inappropriate waste handling. Penalties may be applicable for incorrect disposal of this waste, in accordance with your national legislation. For information about recycling this product, please contact your household waste disposal service, your original distributor, or Crestron.



Crestron Electronics, Inc.

15 Volvo Drive, Rockleigh, NJ 07647
Tel: 888.CRESTRON
Fax: 201.767.7656
www.crestron.com

Legal

The product warranty can be found at www.crestron.com/warranty.

The specific patents that cover Crestron products are listed at www.crestron.com/legal/patents.

Certain Crestron products contain open source software. For specific information, visit www.crestron.com/opensource.

Crestron and the Crestron logo are either trademarks or registered trademarks of Crestron Electronics, Inc. in the United States and/or other countries. Intertek and the Intertek logo are either trademarks or registered trademarks of Intertek Group in the United States and/or other countries. Microsoft Teams is either a trademark or registered trademark of Microsoft Corporation in the United States and/or other countries. UL is either a trademark or registered trademark of Underwriters Laboratories, Inc. in the United States and/or other countries. Other trademarks, registered trademarks, and trade names may be used in this document to refer to either the entities claiming the marks and names or their products. Crestron disclaims any proprietary interest in the marks and names of others. Crestron is not responsible for errors in typography or photography.

©2021 Crestron Electronics, Inc.

Product Information - Doc. 8950A
2057076
01/29/21

UC-P10-T, UC-P10-T-I, UC-P10-T-HS, and UC-P10-T-HS-I

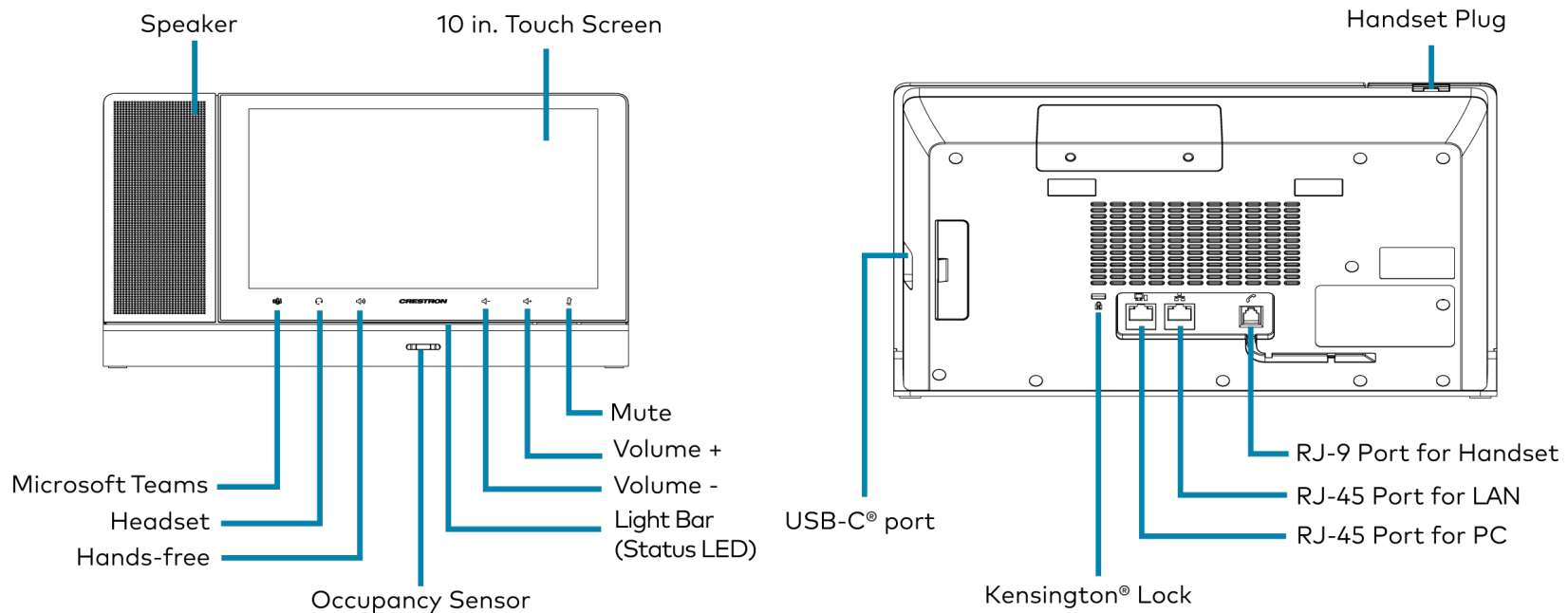
The Crestron® Flex UC-P10 VoIP audio desk phones are designed for use with the Microsoft Teams® communications platform. They provide superior voice calling, simple operation, hands-free conferencing, and a consistent user experience with the Microsoft Teams touch screen UI.

All UC-P10 series desk phones require a Microsoft Teams account.

The information provided in this Quick Start guide is applicable for the following variants:

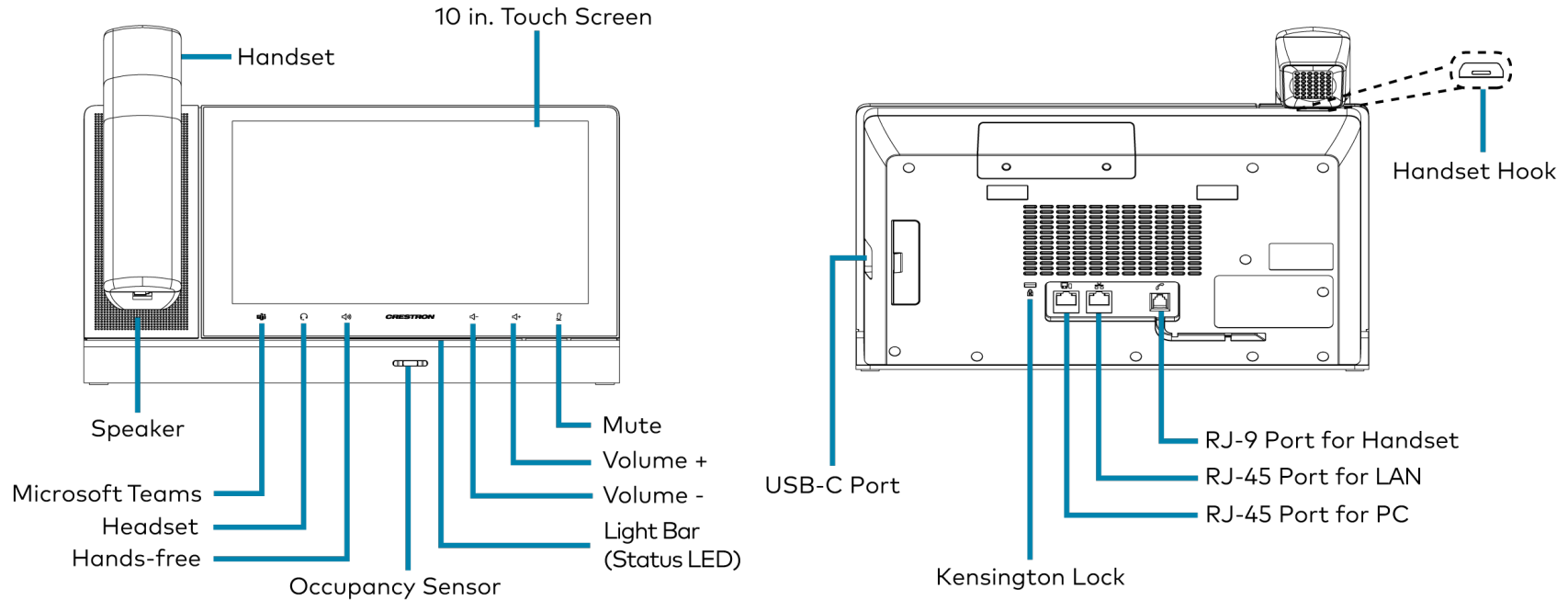
- Crestron Flex 10 in. Audio Desk Phone for Microsoft Teams Software ([UC-P10-T](#))
- Crestron Flex 10 in. Audio Desk Phone for Microsoft Teams Software, International ([UC-P10-T-I](#))
- Crestron Flex 10 in. Audio Desk Phone with Handset for Microsoft Teams Software ([UC-P10-T-HS](#))
- Crestron Flex 10 in. Audio Desk Phone with Handset for Microsoft Teams Software, International ([UC-P10-T-HS-I](#))

UC-P10-T and UC-P10-T-I



UC-P10-T, UC-P10-T-I, UC-P10-T-HS, and UC-P10-T-HS-I

UC-P10-T-HS and UC-P10-T-HS-I



In the Box

- 1 Crestron Flex 10 in. Audio Desk Phone for Microsoft Teams® Software (6511684, 6511692, 6511683, or 6511691)
- 1 Cable, CAT5e, RJ-45-to-RJ-45, approx. 12 ft (3.7 m) (2056842)

For UC-P10-T-HS and UC-P10-T-HS-I Only

- 1 HD wideband handset (2056841)
- 1 Cord, handset, RJ-9 - RJ-9 (2056801)
- 1 Plug, handset (2057003)

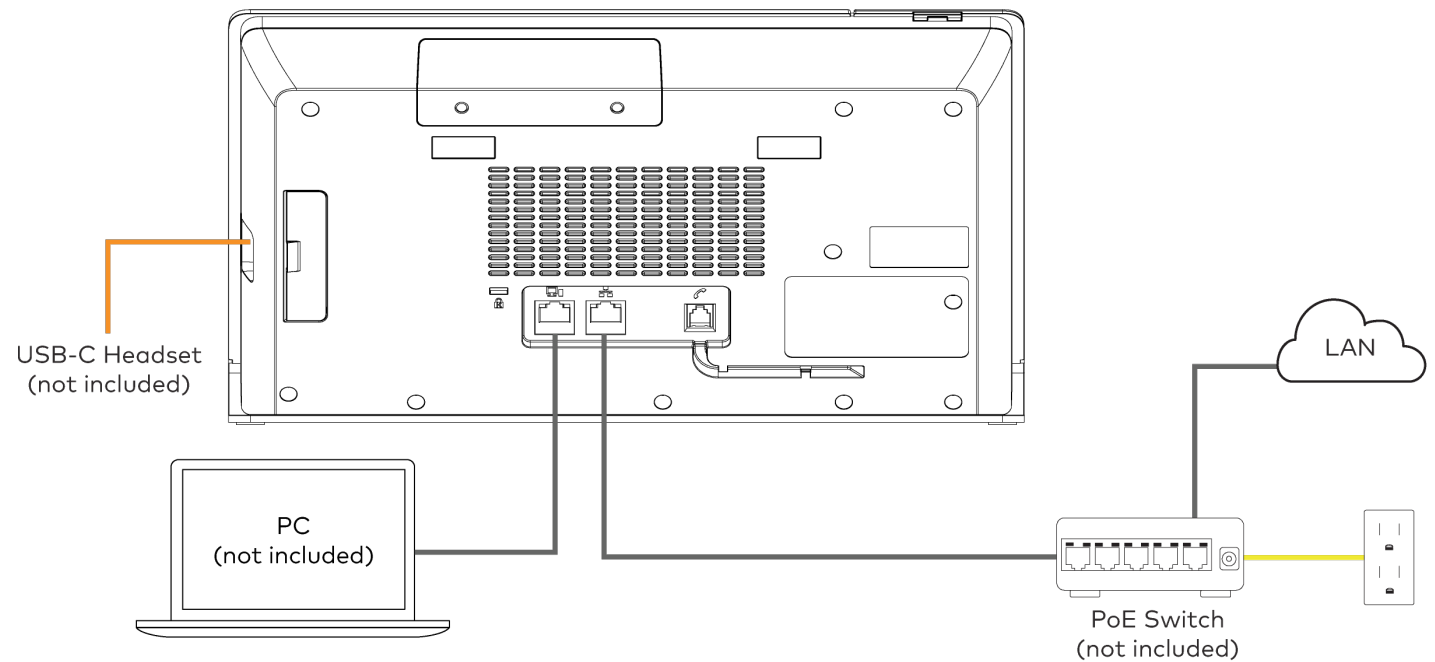
UC-P10-T, UC-P10-T-I, UC-P10-T-HS, and UC-P10-T-HS-I



Connections

UC-P10-T and UC-P10-T-I

- CAT5e**
12 ft CAT5e cable for PoE
CAT5e cable for PC
(not included)
- Power**
Power supply
- USB**
USB Type-C cable
(not included)

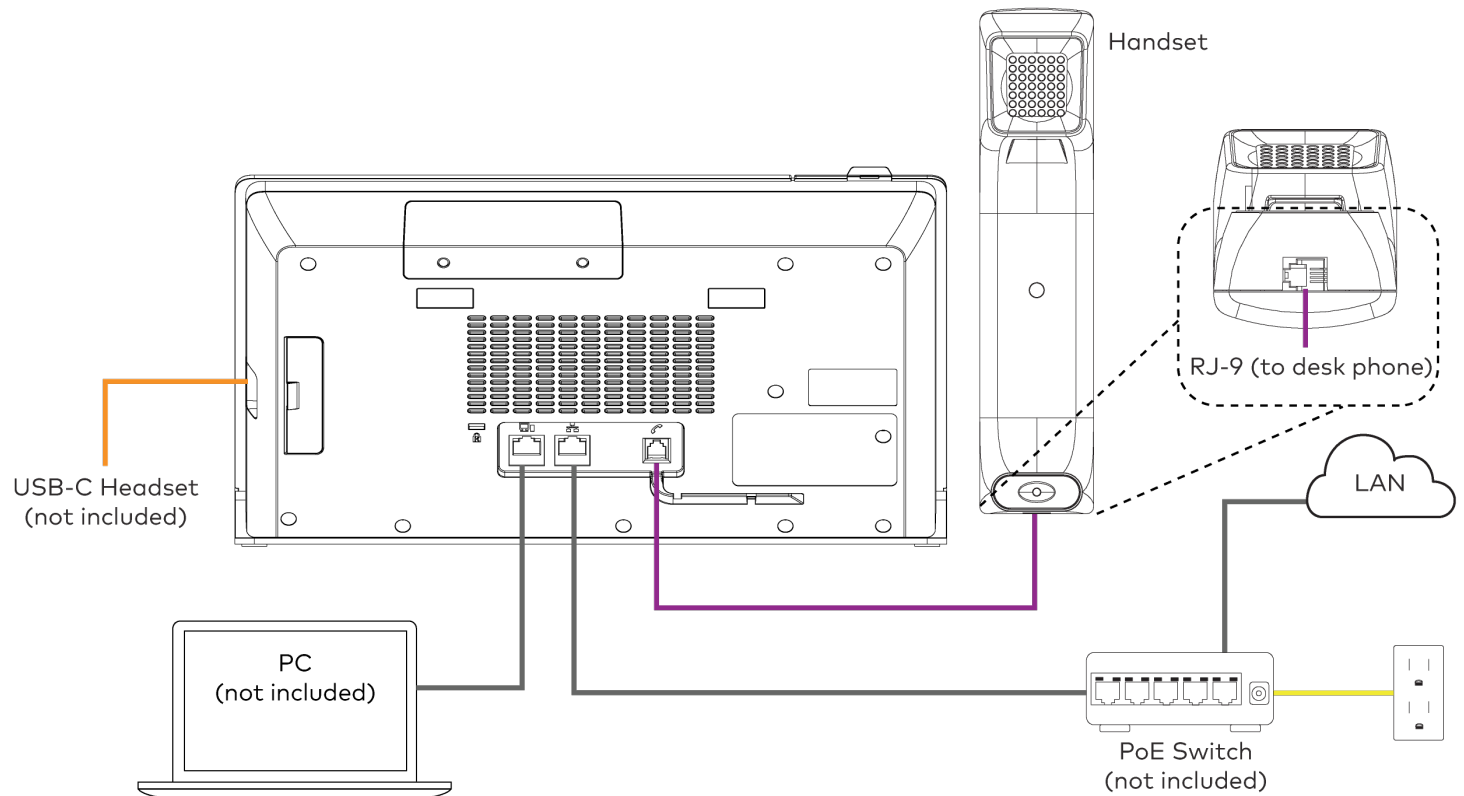


NOTE: All desk phones support both USB-C and Bluetooth® headsets, but only one can be used at a time.

UC-P10-T, UC-P10-T-I, UC-P10-T-HS, and UC-P10-T-HS-I

UC-P10-T-HS and UC-P10-T-HS-I

- CAT5e**
12 ft CAT5e cable for PoE
CAT5e cable for PC
(not included)
- Handset**
Handset cord
- Power**
Power supply
- USB**
USB Type-C cable
(not included)



NOTE: All desk phones support both USB-C and Bluetooth headsets, but only one can be used at a time.

UC-P10-T, UC-P10-T-I, UC-P10-T-HS, and UC-P10-T-HS-I

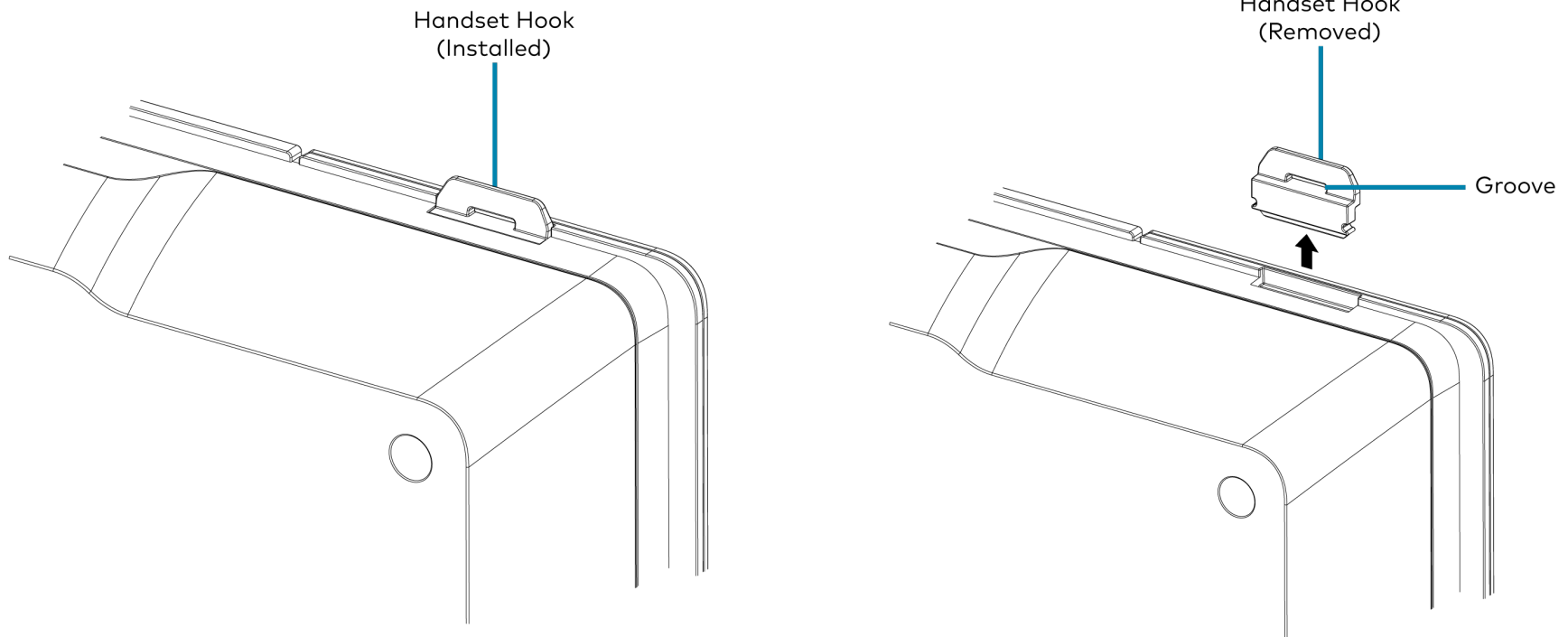


Replacing the Handset Hook with the Handset Plug

For a cleaner appearance, the handset hook can be replaced with the handset plug if not using the handset with the UC-P10-T-HS and UC-P10-T-HS-I desk phones.

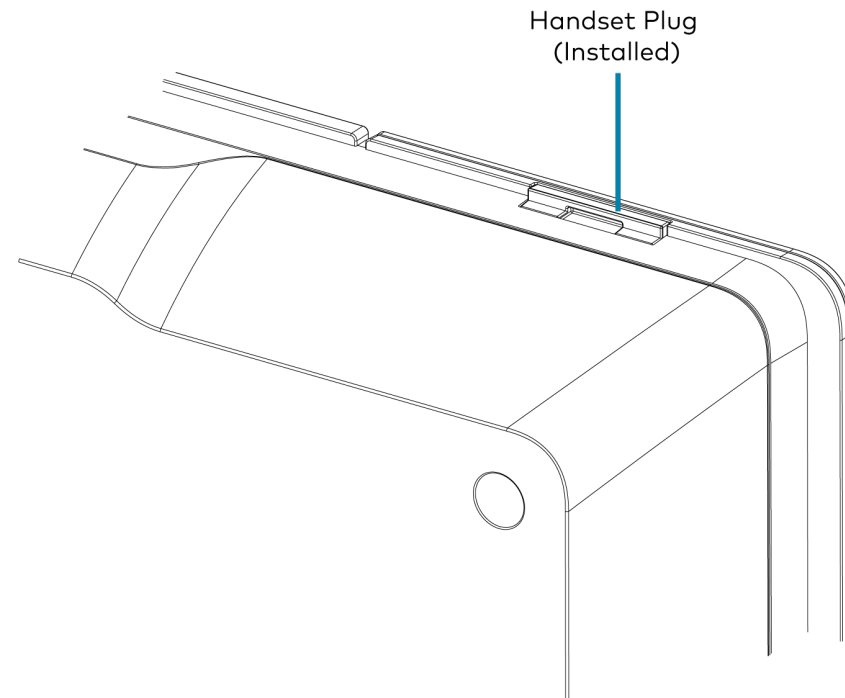
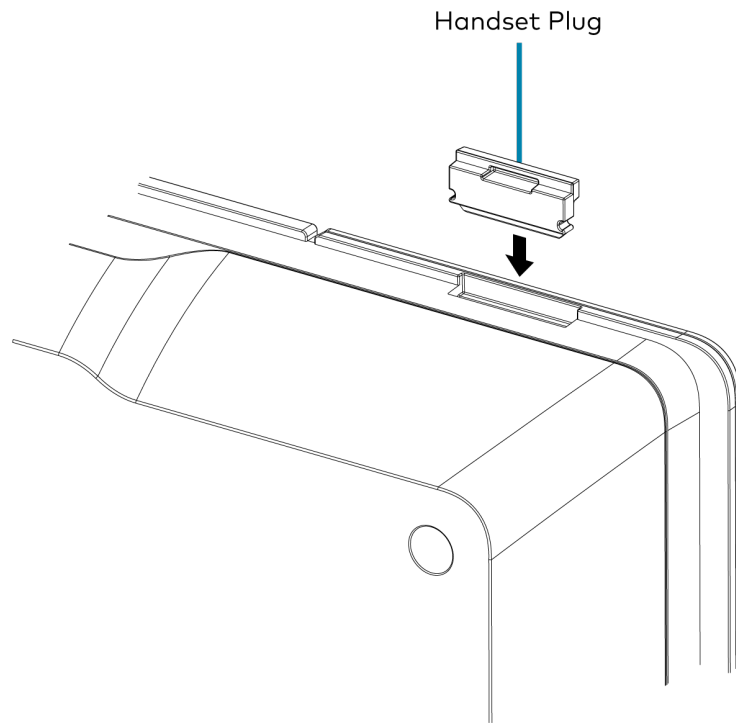
To replace the handset hook with the handset plug:

1. Insert a flat-tip screwdriver or similar tool into the groove to pull up and remove the handset hook from the desk phone, as shown below.



UC-P10-T, UC-P10-T-I, UC-P10-T-HS, and UC-P10-T-HS-I

2. Once the handset hook is removed, insert and push the handset plug into the recess as shown below.



UC-P10-T, UC-P10-T-I, UC-P10-T-HS, and UC-P10-T-HS-I



Sign Into Microsoft Teams

When prompted by the desk phone, tap **Sign In** and follow the on-screen instructions to sign into Microsoft Teams.



Configure

Use the phone's settings screens to configure the phone. The default password to access the administrator settings is "admin". Choose a new password when prompted.



Factory Reset

A factory reset may be performed when troubleshooting.

To perform a factory reset on the phone:

1. Power cycle the phone by disconnecting and reconnecting the ethernet cable to the PoE switch.
2. When the phone powers on and the LEDs flash green, press and hold the Volume+ and Mute buttons together for at least 10 seconds.
3. When prompted, confirm the factory reset. Press Volume- and Volume+ to select the option, and press Mute for **OK**.
4. The phone will reboot.



Visit the Product Page

Scan the QR code to visit the product page.

UC-P10-T



www.crestron.com/model/6511684

UC-P10-T-I



www.crestron.com/model/6511692

UC-P10-T-HS



www.crestron.com/model/6511683

UC-P10-T-HS-I



www.crestron.com/model/6511691

UC-P10-T, UC-P10-T-I, UC-P10-T-HS, and UC-P10-T-HS-I



Important Safety Instructions

WARNING: When using this product, basic precautions should always be followed, including the following:

1. Read these instructions carefully.
2. All cautions and warnings should be followed.
3. The equipment should only be used at maximum 40°C (104°F) ambient temperature.
4. Opening the equipment could result in electrical shock and should only be done by qualified service personnel.
5. Protect equipment from humidity.
6. Do not insert foreign objects or liquids into the openings, this could cause a fire or electrical shock.
7. Do not use chemical detergents to clean your device, use a soft dry cloth.
8. To avoid damage from electrical peaks unplug the device when it is not in use.
9. If one of the following situations arise, equipment has to be checked by qualified service personnel:
 - Liquid has penetrated into the equipment.
 - Equipment has been exposed to humidity.
 - Equipment has been dropped and/or is damaged.
 - Equipment has obvious sign of breakage.
 - Equipment does not work well or you cannot get it working according to user's manual.
10. Do not expose the equipment to water or place objects filled with water on top of it.



Instructions de sécurité importantes

Les avertissements: concernant l'utilisation de ce produit doivent toujours être fondés sur les précautions fondamentales, notamment:

1. Lisez attentivement ces notes.
2. Tous les avertissements et avertissements doivent être respectés.
3. L'équipement ne peut être utilisé qu'à une température ambiante maximale de 40°C (104°F).
4. L'ouverture de l'appareil peut provoquer un choc électrique qui ne peut être assuré que par un personnel d'entretien qualifié.
5. Empêcher l'humidité du dispositif.
6. Il est interdit d'introduire des objets étrangers ou liquides dans l'ouverture, faute de quoi cela pourrait provoquer un incendie ou un choc électrique.
7. Ne pas utiliser d'appareil de nettoyage chimique et utiliser un tissu sec souple.
8. Pour éviter les dommages de crête électrique, retirez la fiche d'alimentation lorsque le dispositif n'est pas utilisé.
9. Dans l'un des cas énoncés ci-dessous, le matériel doit être vérifié par un service qualifié:
 - Dispositif d'infiltration de liquide.
 - L'équipement est exposé à l'humidité.
 - Matériel tombé et / ou endommagé.
 - L'équipement a été endommagé.
 - Le matériel ne fonctionne pas correctement ou ne peut pas être utilisé conformément au Manuel de l'utilisateur.
10. L'équipement ne doit pas être exposé à l'eau ni être placé sur des objets remplis d'eau.

UC-P10-T, UC-P10-T-I, UC-P10-T-HS, and UC-P10-T-HS-I

Additional Information

Original Instructions

The U.S. English version of this document is the original instructions. All other languages are a translation of the original instructions.

Regulatory Model:M202029001

Crestron product development software is licensed to Crestron dealers and Crestron Service Providers (CSPs) under a limited nonexclusive, nontransferable Software Development Tools License Agreement. Crestron product operating system software is licensed to Crestron dealers, CSPs, and end-users under a separate End-User License Agreement. Both of these Agreements can be found on the Crestron website at www.crestron.com/legal/software_license_agreement.

The product warranty can be found at www.crestron.com/warranty.

The specific patents that cover Crestron products are listed at www.crestron.com/legal/patents.

Certain Crestron products contain open source software. For specific information, visit www.crestron.com/opensource.

Crestron and the Crestron logo are either trademarks or registered trademarks of Crestron Electronics, Inc. in the United States and/or other countries. Kensington is either a trademark or registered trademark of ACCO Brands, Inc. in the United States and/or other countries. Bluetooth is either a trademark or registered trademark of Bluetooth SIG, Inc. in the United States and/or other countries. Microsoft Teams is either a trademark or registered trademark of Microsoft Corporation in the United States and/or other countries. USB-C is either a trademark or registered trademark of USB Implementers Forum, Inc. in the United States and/or other countries. Other trademarks, registered trademarks, and trade names may be used in this document to refer to either the entities claiming the marks and names or their products. Crestron disclaims any proprietary interest in the marks and names of others. Crestron is not responsible for errors in typography or photography.

©2021 Crestron Electronics, Inc.

Doc. 8951A

03/15/21

U.S. FCC Part 68 Regulatory Information

This equipment complies with Part 68 of the FCC rules. Located on the equipment is a label that contains, among other information, the ACTA registration number and ringer equivalence number (REN.) If requested, this information must be provided to the telephone company.

The REN is used to determine the quantity of devices which may be connected to the telephone line. Excessive REN's on the telephone line may result in the devices not ringing in response to an incoming call. In most, but not all areas, the sum of the REN's should not exceed five (5.0). To be certain of the number of devices that may be connected to the line, as determined by the total REN's contact the telephone company to determine the maximum REN for the calling area.

This equipment cannot be used on the telephone company-provided coin service. Connection to Party Line Service is subject to State Tariffs.

If this equipment causes harm to the telephone network, the telephone company will notify you in advance that temporary discontinuance of service may be required. If advance notice isn't practical, the telephone company will notify the customer as soon as possible. Also, you will be advised of your right to file a complaint with the FCC if you believe it is necessary. The telephone company may make changes in its facilities, equipment, operations, or procedures that could affect the operation of the equipment. If this happens, the telephone company will provide advance notice in order for you to make the necessary modifications in order to maintain uninterrupted service.

If the trouble is causing harm to the telephone network, the telephone company may request you to remove the equipment from the network until the problem is resolved.

This equipment uses the following USOC jacks: RJ45C.

It is recommended that the customer install an AC surge arrester in the AC outlet to which this device is connected. This is to avoid damaging the equipment caused by local lightning strikes and other electrical surges.

Since this device has the HAC function, the earpiece is easy to absorb small, please take care to avoid scratching.

If trouble is experienced with this equipment, please contact (Agent in the US):

Company Name: Crestron Electronics Inc

Address: 15 Volvo Drive, Rockleigh, New Jersey, 07647, USA

Tel: 800-237-2041

U.S. FCC Part 15 Regulatory Information

This device complies with part 15 of the FCC Rules. Operation is subject to the following two conditions:(1) this device may not cause harmful interference, and (2) this device must accept any interference received, including interference that may cause undesired operation.

Any Changes or modifications not expressly approved by the party responsible for compliance could void the user's authority to operate the equipment.

Note: This equipment has been tested and found to comply with the limits for a Class B digital device, pursuant to part 15 of the FCC Rules. These limits are designed to provide reasonable protection against harmful interference in a residential installation. This equipment generates, uses and can radiate radio frequency energy and, if not installed and used in accordance with the instructions, may cause harmful interference to radio communications. However, there is no guarantee that interference will not occur in a particular installation. If this equipment does cause harmful interference to radio or television reception, which can be determined by turning the equipment off and on, the user is encouraged to try to correct the interference by one or more of the following measures:

- Reorient or relocate the receiving antenna.
- Increase the separation between the equipment and receiver.
- Connect the equipment into an outlet on a circuit different from that to which the receiver is connected.
- Consult the dealer or an experienced radio/TV technician for help.

FCC Radiation Exposure Statement:

- This equipment complies with radiation exposure limits set forth for an uncontrolled environment. This equipment should be installed and operated with minimum distance 20cm between the radiator & your body.

This transmitter must not be co-located or operating in conjunction with any other antenna or transmitter.

Canada Regulatory Information

Radio equipment

Operation of 5150-5350 MHz is restricted to indoor use only.

This device contains licence-exempt transmitter(s)/receiver(s) that comply with Innovation, Science and Economic Development Canada's licence-exempt RSS(s). Operation is subject to the following two conditions:

- (1) This device may not cause interference.
- (2) This device must accept any interference, including interference that may cause undesired operation of the device.

Le fonctionnement de 5150-5350 MHz est limité à une utilisation en intérieur uniquement.

Le présent appareil est conforme aux CNR d'Innovation, Sciences et Développement économique Canada applicables aux appareils radio exempts de licence. L'exploitation est autorisée aux deux conditions suivantes :

- (1) l'appareil ne doit pas produire de brouillage, et
- (2) l'utilisateur de l'appareil doit accepter tout brouillage radio électrique subi, même si le brouillage est susceptible d'en compromettre le fonctionnement.

The device is compliance with RF exposure guidelines, users can obtain Canadian information on RF exposure and compliance. The minimum distance from body to use the device is 20cm.

Le présent appareil est conforme. Après examen de ce matériel aux limites d'intensité de champ RF, les utilisateurs peuvent sur l'exposition aux radiofréquences et la conformité and compliance d'acquérir les informations correspondantes. La distance minimale du corps à utiliser le dispositif est de 20cm.

CAN ICES-3 (B)/NMB-3(B)

Terminal equipment

This product meets the applicable Innovation, Science and Economic Development Canada technical specifications.

The Ringer Equivalence Number (REN) indicates the maximum number of devices allowed to be connected to a telephone interface. The termination of an interface may consist of any combination of devices subject only to the requirement that the sum of the RENs of all the devices not exceed five.

Ce produit répond à la innovation, des sciences et de Développement économique Canada spécifications techniques applicables.

Le nombre équivalent de sonneries (REN) indique le nombre maximal de terminaux qui peuvent être raccordés à une interface téléphonique. La terminaison d'une interface peut consister en une combinaison de dispositifs, à la seule condition que la somme des REN de tous les dispositifs ne dépasse pas cinq.

EU Regulatory Information

Support Frequency Bands and Power:

BT < 10 dBm;

WLAN 2412-2472 MHz < 18 dBm;

WLAN 5150-5250 MHz < 20 dBm;

WLAN 5250-5350 MHz / 5470-5725 MHz < 19 dBm;

WLAN 5725-5825 MHz < 14 dBm;



BE	BG	CZ	DK	DE	EE	IE	EL
ES	FR	HR	IT	CY	LV	LT	LU
HU	MT	NL	AT	PL	PT	RO	SI
SK	FI	SE	NO	IS	LI	CH	TR

In all EU member states, operation of 5150-5350 MHz is restricted to indoor use only.

The simplified EU declaration of conformity referred to in Article 10(9) shall be provided as follows:

Hereby, [CRESTRON ELECTRONICS, INC.] declares that the radio equipment type [M202029001] is in compliance with Directive 2014/53/EU.

The full text of the EU declaration of conformity is available at the following internet address: www.crestron.com/docs/