

5 in., 7 in., and 10.1 in. Wall Mount Touch Screens

The Crestron® TSW-570, TSW-770, and TSW-1070 are wall mount touch screens that feature web browsing, Smart Graphics® software and HTML5 UI technology, custom-programmable icons, H.265/H.264 streaming video, a Rava® SIP intercom, Wi-Fi® network connectivity, and PoE+ (Power over Ethernet Plus) network power. The touch screens also provide built-in applications for room scheduling, conferencing, and home control.

The TSW-570, TSW-770, and TSW-1070 are functionally similar. For simplicity within this guide, the term "touch screen" is used except where noted.

- # Item (#####)
- # Item (#####)
- # Item (#####)

TSW-1070 Only

- # Item (#####)
- # Item (#####)
- # Item (#####)
- # Item (#####)

* Refer to the TSW-570-B-S, TSW-770-B-S, and TSW-1070-B-S product pages at www.crestron.com for a complete list of color variations.



In the Box

- 1 TSW-570, TSW-770, or TSW-1070*, Wall Mount Touch Screen

Additional Items

- # Item (#####)
- # Item (#####)
- # Item (#####)

TSW-570 Only

- # Item (#####)
- # Item (#####)
- # Item (#####)
- # Item (#####)

TSW-770 Only

- # Item (#####)

5 in., 7 in., and 10.1 in. Wall Mount Touch Screens



Install the Mounting Bracket

The TSW-570 uses a different mounting bracket than the TSW-770 or TSW-1070. The procedures for installing each mounting bracket are described in the following sections.

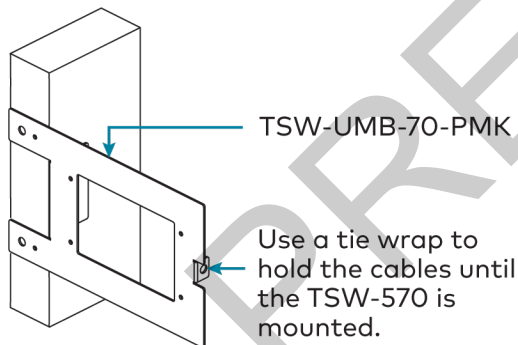
Install the TSW-570 Mounting Bracket

The TSW-570 can be mounted into drywall or other surfaces, or it can be mounted onto a wall stud. When mounted into drywall or other surfaces, the touch screen protrudes **XX in. (XX mm)** from the mounting surface.

NOTE: Additional mounting options are possible using the TSW-UMB-70 universal mounting bracket, TSW-UMB-70-PMK preconstruction mounting kit, TSW-UMB-70-BBI wall mount back box, TSW-570-MSMK multisurface mounting kit, or TSW-570/770-RMK-1 rack mount kit. For more information, refer to the product pages at www.crestron.com.

Preconstruction Installations

To install the TSW-570 mounting bracket in preconstruction applications, use standard drywall nails or screws (not included) to attach the TSW-UMB-70-PMK mounting bracket to a wall stud.

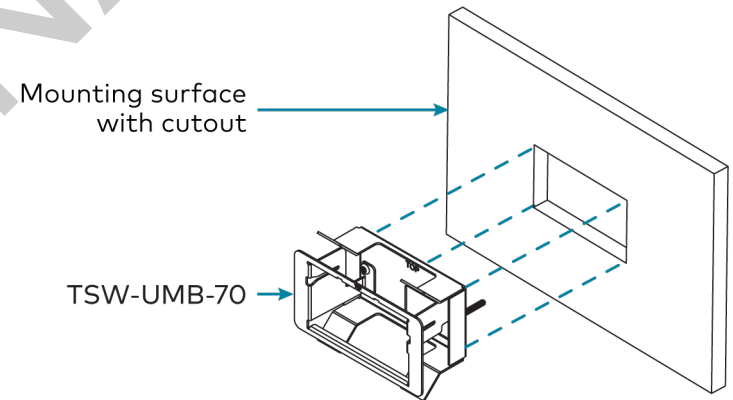


NOTE: Allow an air gap of at least 12 in. (305 mm) in the wall cavity above and below the touch screen for heat dissipation.

Postconstruction Installations

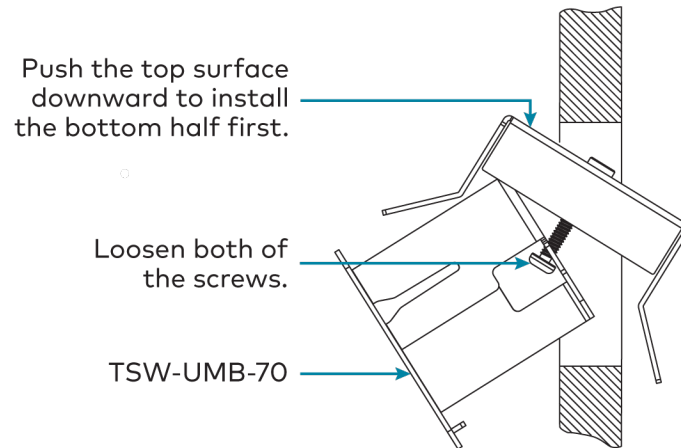
To install the TSW-570 mounting bracket in postconstruction applications:

1. Use the TSW-UMB-70-PMK mounting bracket as a cutout template by turning the bracket to face the wall, ensuring it is level, and tacking it the wall temporarily with finishing nails (not included) through the smaller holes around the cutout opening.
2. Create an opening in the surface by tracing the cutout opening with an appropriate drywall saw.
3. Loosen the two screws on the TSW-UMB-70 mounting bracket.
4. Install the TSW-UMB-70, bottom side first, into the opening.

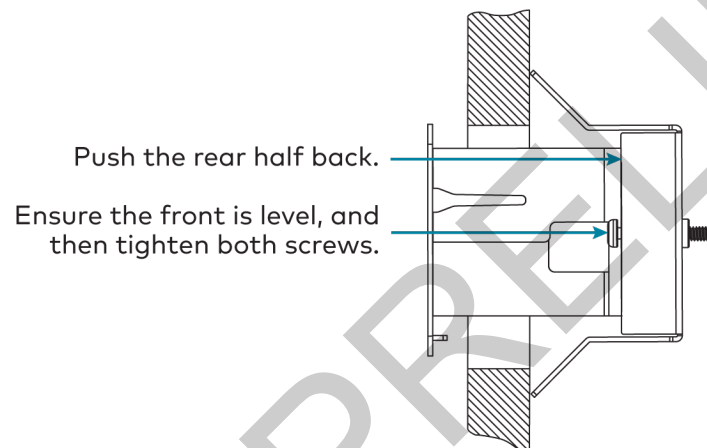


5 in., 7 in., and 10.1 in. Wall Mount Touch Screens

5. Push the rear half of the mounting bracket back so that it is seated behind the mounting surface completely.



6. Ensure the front of the TSW-UMB-70 is level, and then tighten the two bracket screws.



Install the TSW-770/TSW-1070 Mounting Bracket

The TSW-770 and TSW-1070 install over a standard 2-gang or 3-gang U.S. electrical box, a 2-gang European electrical box, or a 2-gang U.K. electrical box. The touch screen may also be installed into wooden paneling or furniture with a **XX in. (XX mm) high by XX in. (XX mm) wide** rectangular cutout.

When installed, the touch screen protrudes **XX in. (XX mm)** from the mounting surface, leaving no visible screws.

NOTES:

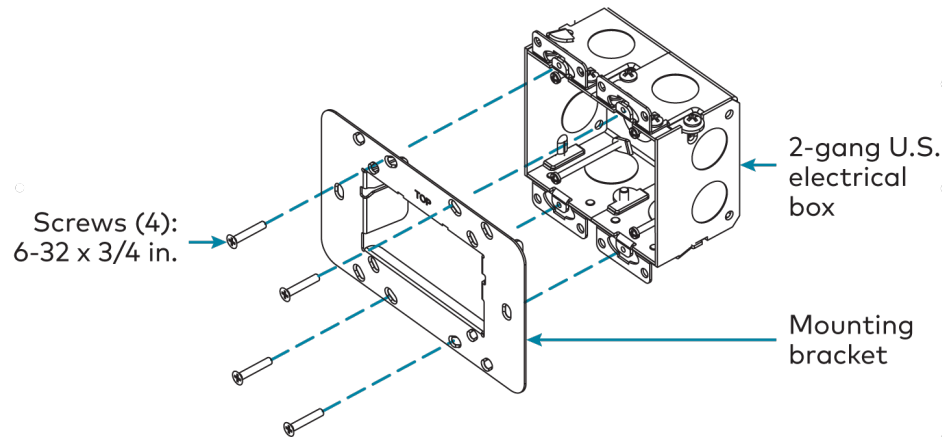
- Additional mounting options are possible using the TSW-UMB-70 universal mounting bracket, TSW-UMB-70-PMK preconstruction mounting kit, TSW-UMB-70-BBI wall mount back box, TS-770/1070-MSMK series multisurface mounting kits, TS-770/1070-MUMK mullion mounting kit, TSW-770/1070-RMB series retrofit mounting brackets, or TSW-770/1070-RMK series rack mount kits. For more information, refer to the product pages at www.crestron.com.
- Installing the mounting bracket to an electrical box is required only if one of the mounting solutions above is not used. Refer to the mounting solution documentation at www.crestron.com/manuals.

To mount the touch screen into an electrical box, use the appropriate screws (four 6-32 x 3/4 in. screws, four M3 x 16 mm screws, or two M3.5 x 25 mm screws) to attach the mounting bracket to the electrical box as shown in the following illustrations:

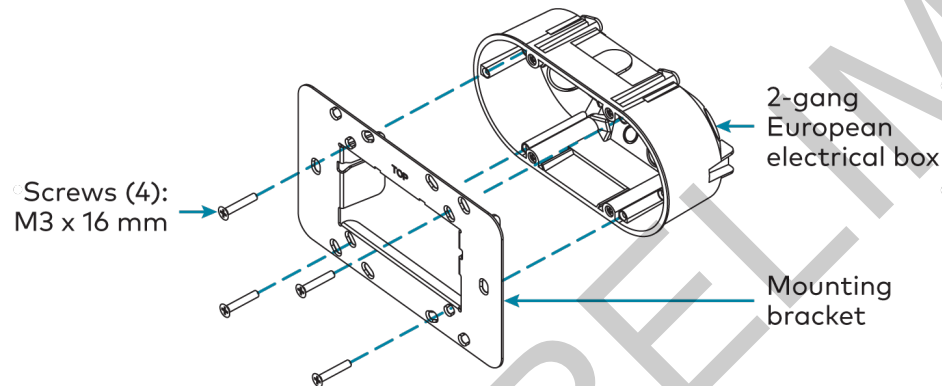
NOTE: For U.S. installations, use a #2 Phillips screwdriver. For European or U.K. installations, use a #1 Phillips screwdriver.

5 in., 7 in., and 10.1 in. Wall Mount Touch Screens

- For U.S. installations, use the four 6-32 x 3/4 in. screws.



- For European installations, use the four M3 x 16 mm screws.



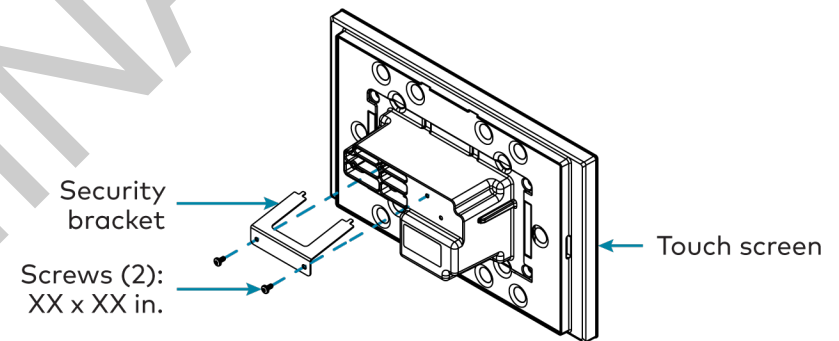
- For U.K. installations (not pictured), use the two M3,5 x 25 mm screws to attach the mounting bracket to the electrical box. Insert the screws through the center openings in the left and right sides of the mounting bracket.



Install the Security Bracket (Optional)

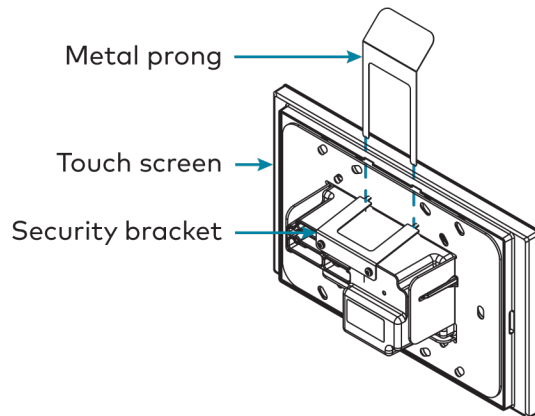
The included security bracket may be attached to the touch screen so that it cannot be easily removed from the mounting bracket after installation. The security bracket snaps into place behind the mounting bracket so that the touch screen cannot be removed without using the included metal prong.

Use the two **XX x XX in.** screws to attach the security bracket to the touch screen rear housing as shown in the following illustration.



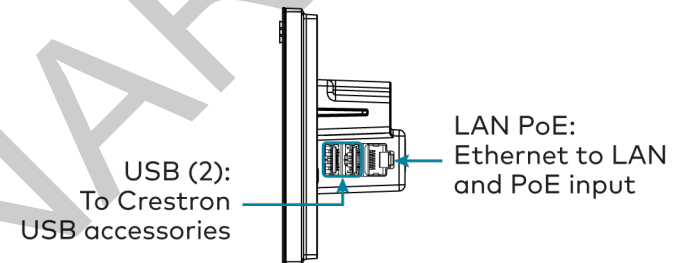
5 in., 7 in., and 10.1 in. Wall Mount Touch Screens

To remove the touch screen after installation, use the metal prong to push down on the security bracket tabs as shown in the following illustration while gently pulling the touch screen away from the mounting bracket.



Connect the Touch Screen

Route all necessary cables through the rear of the mounting bracket, and then make connections to the side of the touch screen rear housing as shown in the illustration below.



Observe the following when connecting the touch screen:

- Power and data connection is provided to the touch screen by a single Ethernet cable. A Crestron PoE (Power over Ethernet) power supply, such as the PWE-4803RU, or a PoE-capable network switch is recommended (both not included).
- The USB ports are used to connect compatible Crestron LED accessories to the touch screen.

NOTE: The TSW-770 may use either PoE or PoE+ to supply power to compatible LED accessories over USB; the TSW-1070 must use only PoE+ to supply power to LED accessories over USB.

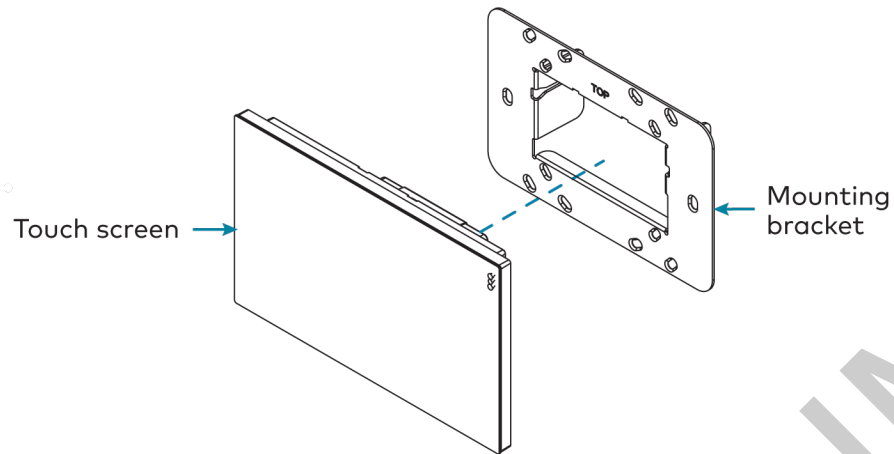
- Apply power after all connections have been made.

5 in., 7 in., and 10.1 in. Wall Mount Touch Screens



Mount the Touch Screen

After all connections have been made, push the touch screen gently into the mounting bracket so that its rear housing is secured within the center opening within the mounting bracket.



If the touch screen is not level after installation, pull it out of the mounting bracket and loosen the screws holding the bracket into place. This procedure allows the mounting bracket to be rotated slightly.

Once the mounting bracket has been repositioned, retighten the screws, reinstall the touch screen into the bracket, and ensure that the touch screen is now level.



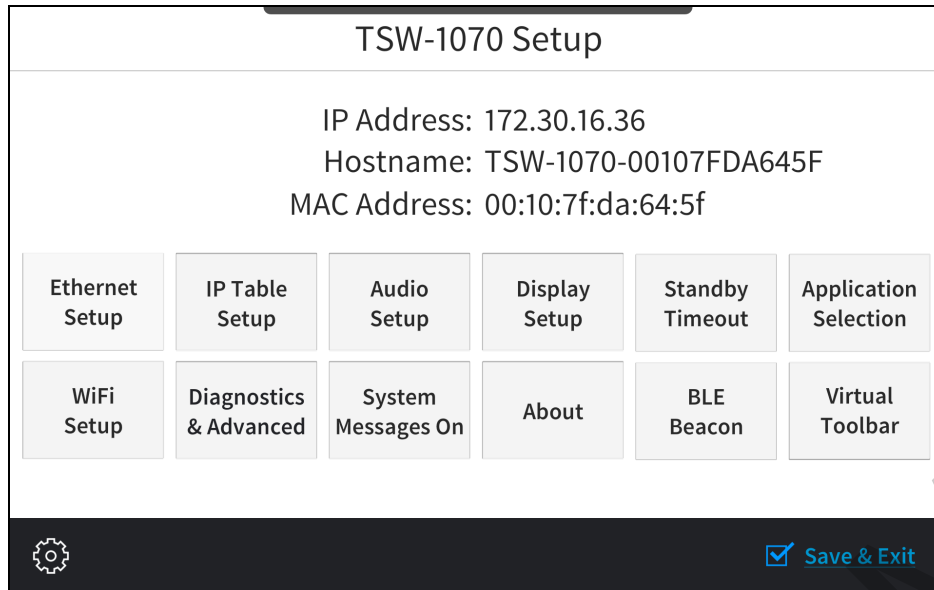
Configure the Touch Screen

When power is applied for the first time, the following screen is displayed. The touch screen may take up to two minutes to boot.



5 in., 7 in., and 10.1 in. Wall Mount Touch Screens

Touch the screen to display the main Setup screen (TSW-1070 shown).



Device settings for the touch screen may be configured using the built-in setup screens or the web configuration interface. For more information on configuring the touch screen, refer to the TSW-570/TSW-770/TSW-1070 Supplemental Guide (Doc. 8550) at www.crestron.com/manuals.

Access the Device Setup Screens

To access the built-in setup screens, place five fingers on the display and hold for 15 seconds.

Use the setup screens to configure various settings for the touch screen, including Ethernet setup, IP table setup, audio setup, display setup, standby timeout, application selection, Wi-Fi network setup, diagnostics, the Bluetooth™ beacon, and the virtual toolbar.

Access the Web Configuration Interface

The touch screen provides a web configuration interface that is used to view and configure various touch screen settings and to select an application. The interface can be accessed using the touch screen IP address or the Crestron XiO Cloud™ service.

Touch Screen IP Address

To access the web configuration interface using the touch screen IP address:

1. Ensure that the touch screen is connected to the network.
2. Use the Device Discovery tool in Crestron Toolbox™ software to discover the touch screen and its IP address on the network.
3. Enter the touch screen IP address into a web browser.

Crestron XiO Cloud Service

The Crestron XiO Cloud service allows supported Crestron devices across an enterprise to be managed and configured from one central and secure location in the cloud. Supported devices are configured to connect to the service. Use of the service requires a registered Crestron XiO Cloud account.

NOTE: The device may be disconnected from the service by navigating to the Cloud Services tab in Crestron Toolbox software (**Functions > Device Info > Cloud Services**). For details, refer to the Crestron Toolbox help file.

5 in., 7 in., and 10.1 in. Wall Mount Touch Screens

To access the web configuration interface using the Crestron XiO Cloud service:

1. Record the MAC address and serial number that are labeled on the shipping box or rear panel of the device. The MAC address and serial number are required to add the device to the service.
2. Do either of the following:
 - For existing accounts, access the Crestron XiO Cloud service at <https://portal.crestron.io>.
 - For new accounts, register for a Crestron XiO Cloud account at www.crestron.com/xio-cloud-registration.
3. Claim the device to the service as described in the Crestron XiO Cloud User Guide (Doc. 8214) at www.crestron.com/manuals.
4. Select the device from the cloud interface to view its settings.

Set the Time Zone

The time zone must be set on the touch screen if it will not be paired with a control system IP table.

To set the time zone:

1. Access the web configuration interface using either the touch screen IP address or the Crestron XiO Cloud service.
2. Select the **Settings** tab.
3. Navigate to **System Setup > Time/Date**.
4. Select the time zone where the touch screen will be used from the **Time Zone** drop-down menu.
5. Click **Save Changes** on the top right of the screen.



Visit the Product Pages

Scan the QR code to visit the product page.

TSW-570



www.crestron.com/model/6510812

TSW-770



www.crestron.com/model/6510813

TSW-1070



www.crestron.com/model/6510814

5 in., 7 in., and 10.1 in. Wall Mount Touch Screens

Additional Information

Original Instructions

The U.S. English version of this document is the original instructions. All other languages are a translation of the original instructions.

Crestron product development software is licensed to Crestron dealers and Crestron Service Providers (CSPs) under a limited nonexclusive, nontransferable Software Development Tools License Agreement. Crestron product operating system software is licensed to Crestron dealers, CSPs, and end-users under a separate End-User License Agreement. Both of these Agreements can be found on the Crestron website at www.crestron.com/legal/software_license_agreement.

The product warranty can be found at www.crestron.com/warranty.

The specific patents that cover Crestron products are listed at www.crestron.com/legal/patents.

Certain Crestron products contain open source software. For specific information, visit www.crestron.com/opensource.

Crestron, the Crestron logo, Crestron Toolbox, Crestron XiO Cloud, Rava, and Smart Graphics are either trademarks or registered trademarks of Crestron Electronics, Inc. in the United States and/or other countries. Bluetooth is either a trademark or registered trademark of Bluetooth SIG, Inc. in the United States and/or other countries. Wi-Fi is either a trademark or registered trademark of Wi-Fi Alliance in the United States and/or other countries. Other trademarks, registered trademarks, and trade names may be used in this document to refer to either the entities claiming the marks and names or their products. Crestron disclaims any proprietary interest in the marks and names of others. Crestron is not responsible for errors in typography or photography.

©2020 Crestron Electronics, Inc.

Doc ID 8552A
(2054672)

02/06/20