

6

5

4

3

2

1

THESE DRAWINGS AND SPECIFICATIONS ARE THE EXCLUSIVE PROPERTY OF CRESTRON ELECTRONICS, INC., AND ARE ISSUED IN STRICT CONFIDENCE. DISCLOSURE OR REPRODUCTION IN WHOLE OR PART, WITHOUT PRIOR WRITTEN PERMISSION, IS PROHIBITED EXCEPT FOR THE MANUFACTURE OF ARTICLES FOR CRESTRON ELECTRONICS, INC.

REVISIONS			
REV	DESCRIPTION	DATE	APPROVED
A	INITIAL PROTOTYPE ISSUE PER EWO994	7/30/99	M.K.
B	REVISED PER ECN1089	8/1/99	MK
C	REVISED W/O ECN (REF: ECN1320)	12/21/99	P.D.

SHIELDED AREA

D

C

B

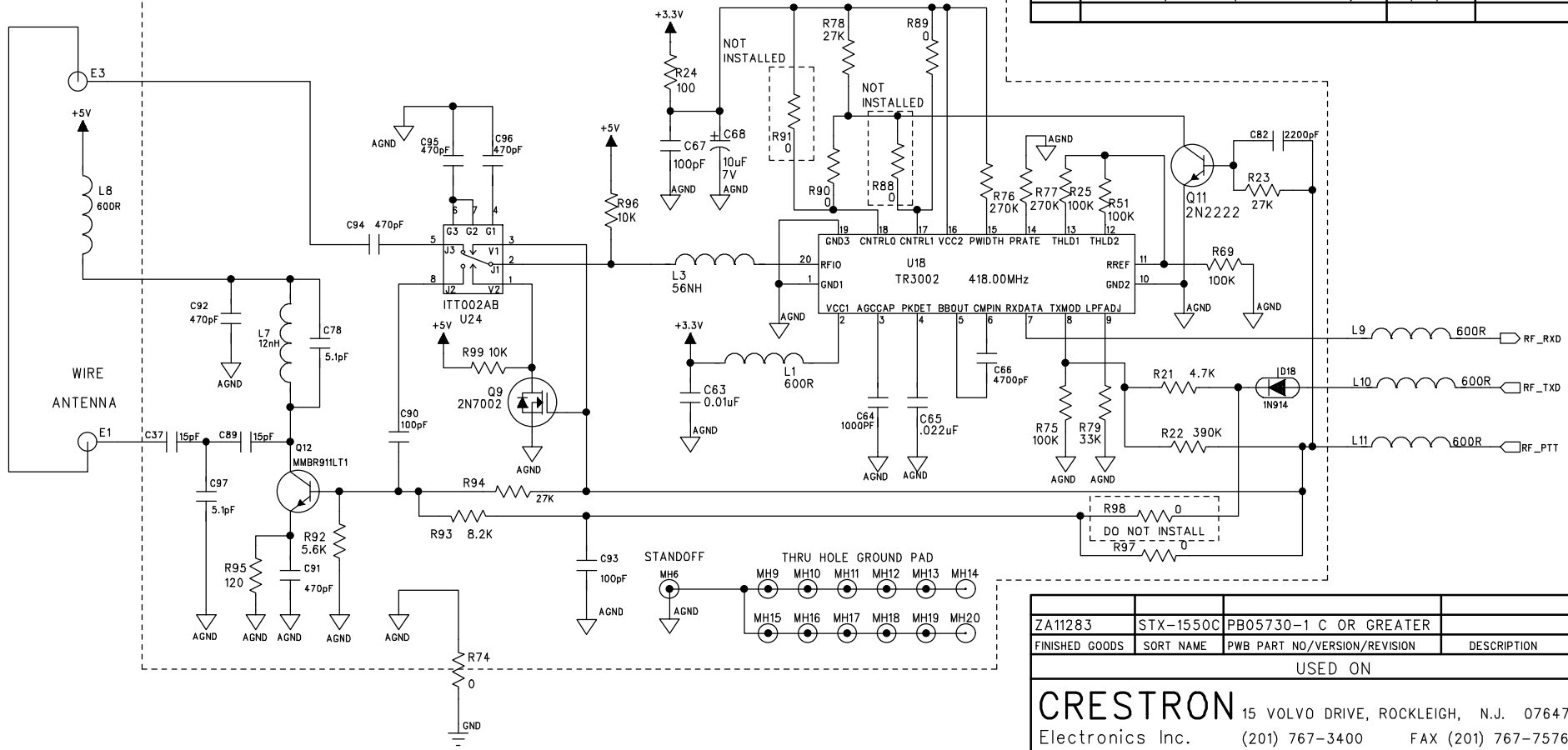
A

D

C

B

A



ZA11283	STX-1550C	PB05730-1 C OR GREATER	
FINISHED GOODS	SORT NAME	PWB PART NO./VERSION/REVISION	DESCRIPTION

USED ON

CRESTRON 15 VOLVO DRIVE, ROCKLEIGH, N.J. 07647
 Electronics Inc. (201) 767-3400 FAX (201) 767-7576

NAME		DATE		SCHEMATIC-	
DRAWN BY	MK	7/20/99		PCB, SMARTOUCH, 2 WAY RF	
CHECKED	M.J.M.	11/4/99			
ENGR APPVL	P.D.	12/21/00		SIZE: B	DRAWING NO. SE05730
MFG APPVL				SCALE:	FILE NAME: 05730-F.SCH
					SHEET 1 OF 8



6

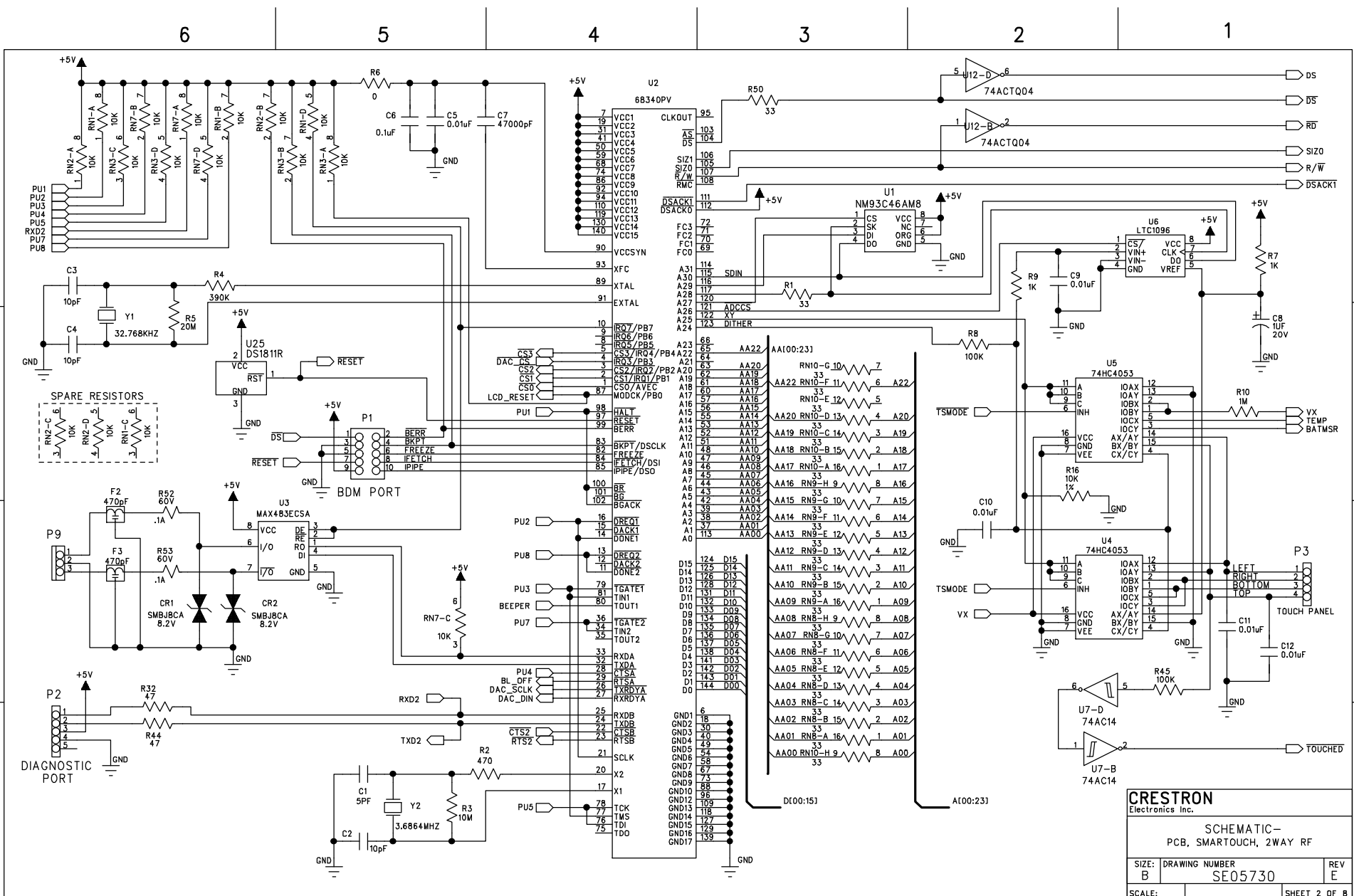
5

4

3

2

1



CRESTRON
Electronics Inc.

SCHMATIC -
PCB, SMARTOUCH, 2WAY RF

SIZE: B	DRAWING NUMBER SE05730	REV E
SCALE:	SHEET 2 OF 8	

6

5

4

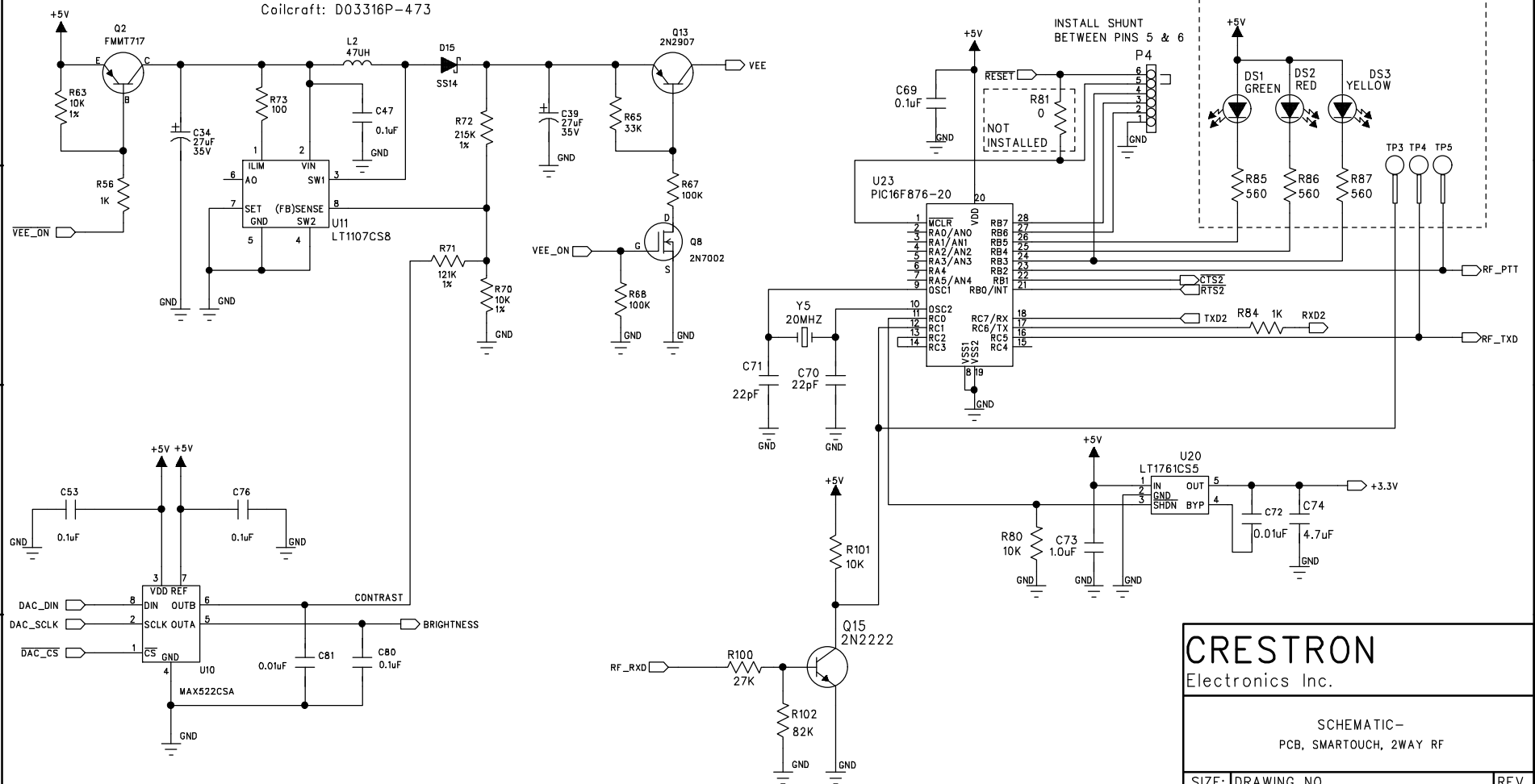
3

2

1

THESE DRAWINGS AND SPECIFICATIONS ARE THE EXCLUSIVE PROPERTY OF CRESTRON ELECTRONICS, INC., AND ARE ISSUED IN STRICT CONFIDENCE. DISCLOSURE OR REPRODUCTION IN WHOLE OR PART, WITHOUT PRIOR WRITTEN PERMISSION, IS PROHIBITED EXCEPT FOR THE MANUFACTURE OF ARTICLES FOR CRESTRON ELECTRONICS, INC.

Note: L2 ->
Coiltronics: UP2-470 or
Coilcraft: D03316P-473



CRESTRON
Electronics Inc.

SCHMATIC -
PCB, SMARTOUCH, 2WAY RF

SIZE: B	DRAWING NO. SE05730	REV E
SCALE:	SHEET 3 OF 8	

6

5

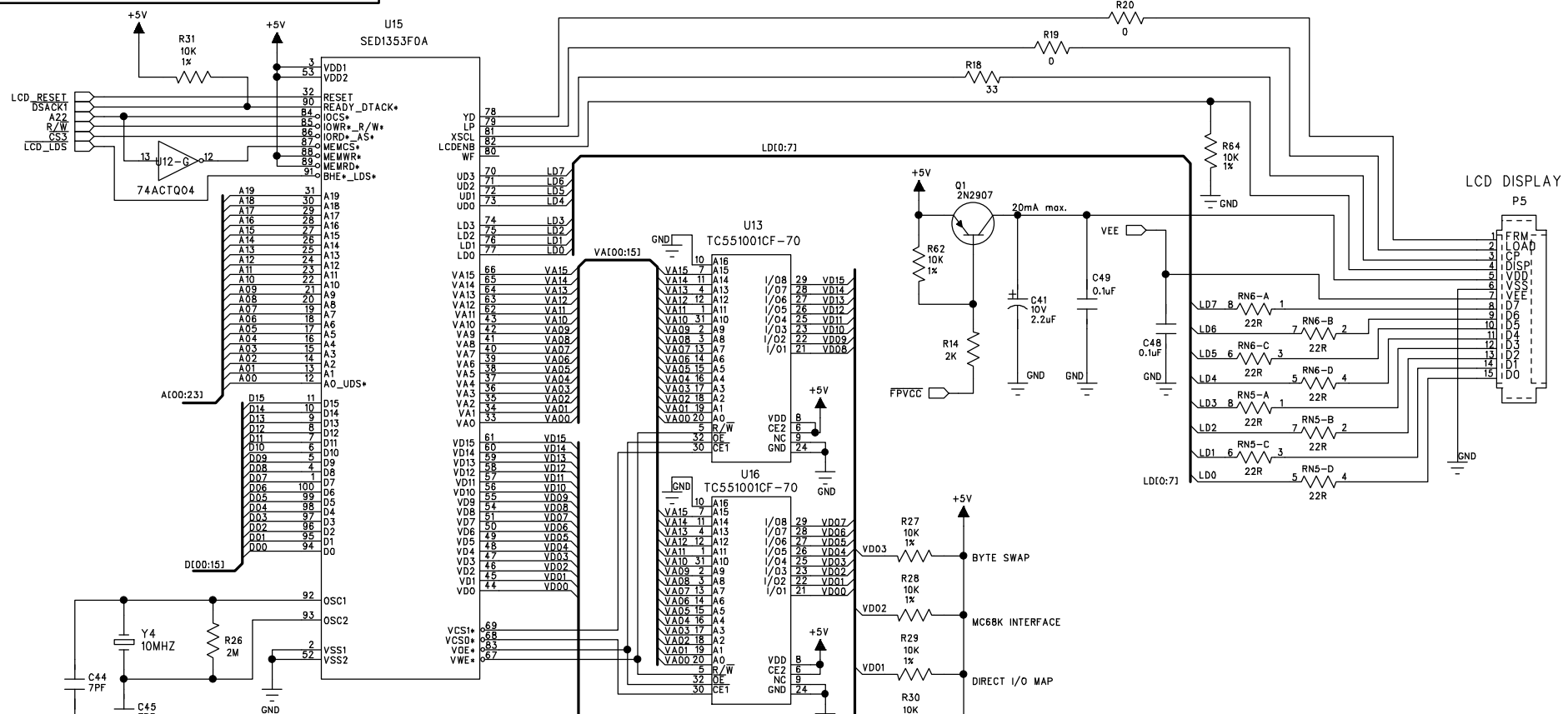
4

3

2

1

THESE DRAWINGS AND SPECIFICATIONS ARE THE EXCLUSIVE PROPERTY OF CRESTRON ELECTRONICS, INC. AND ARE ISSUED IN STRICT CONFIDENCE. DISCLOSURE OR REPRODUCTION IN WHOLE OR PART, WITHOUT PRIOR WRITTEN PERMISSION, IS PROHIBITED EXCEPT FOR THE MANUFACTURE OF ARTICLES FOR CRESTRON ELECTRONICS, INC.

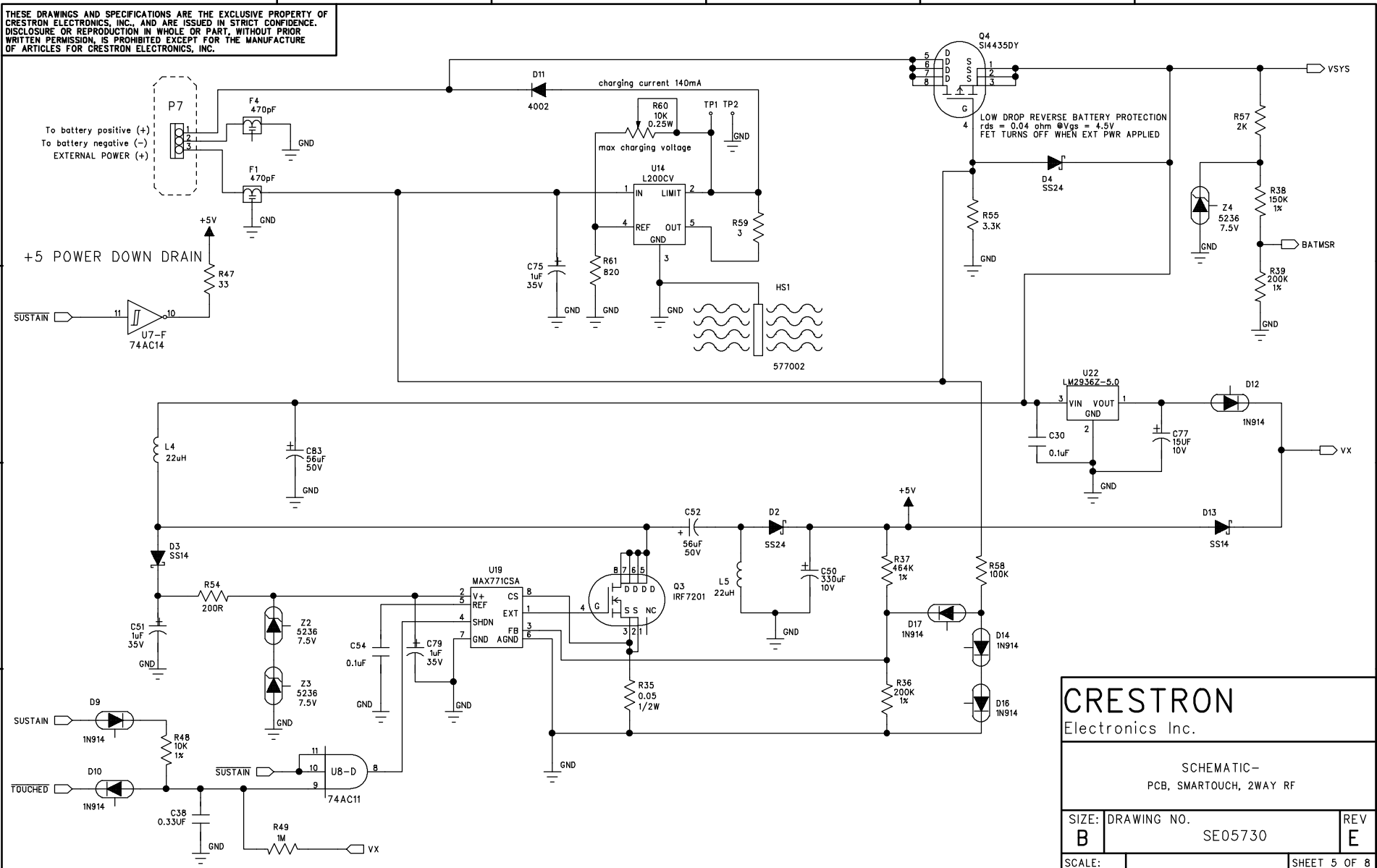


CRESTRON
Electronics Inc.

SCHEMATIC-
PCB, SMARTOUCH, 2WAY RF

SIZE: B	DRAWING NO. SE05730	REV E
SCALE:	SHEET 4 OF 8	

THESE DRAWINGS AND SPECIFICATIONS ARE THE EXCLUSIVE PROPERTY OF CRESTRON ELECTRONICS, INC., AND ARE ISSUED IN STRICT CONFIDENCE. DISCLOSURE OR REPRODUCTION IN WHOLE OR PART, WITHOUT PRIOR WRITTEN PERMISSION, IS PROHIBITED EXCEPT FOR THE MANUFACTURE OF ARTICLES FOR CRESTRON ELECTRONICS, INC.

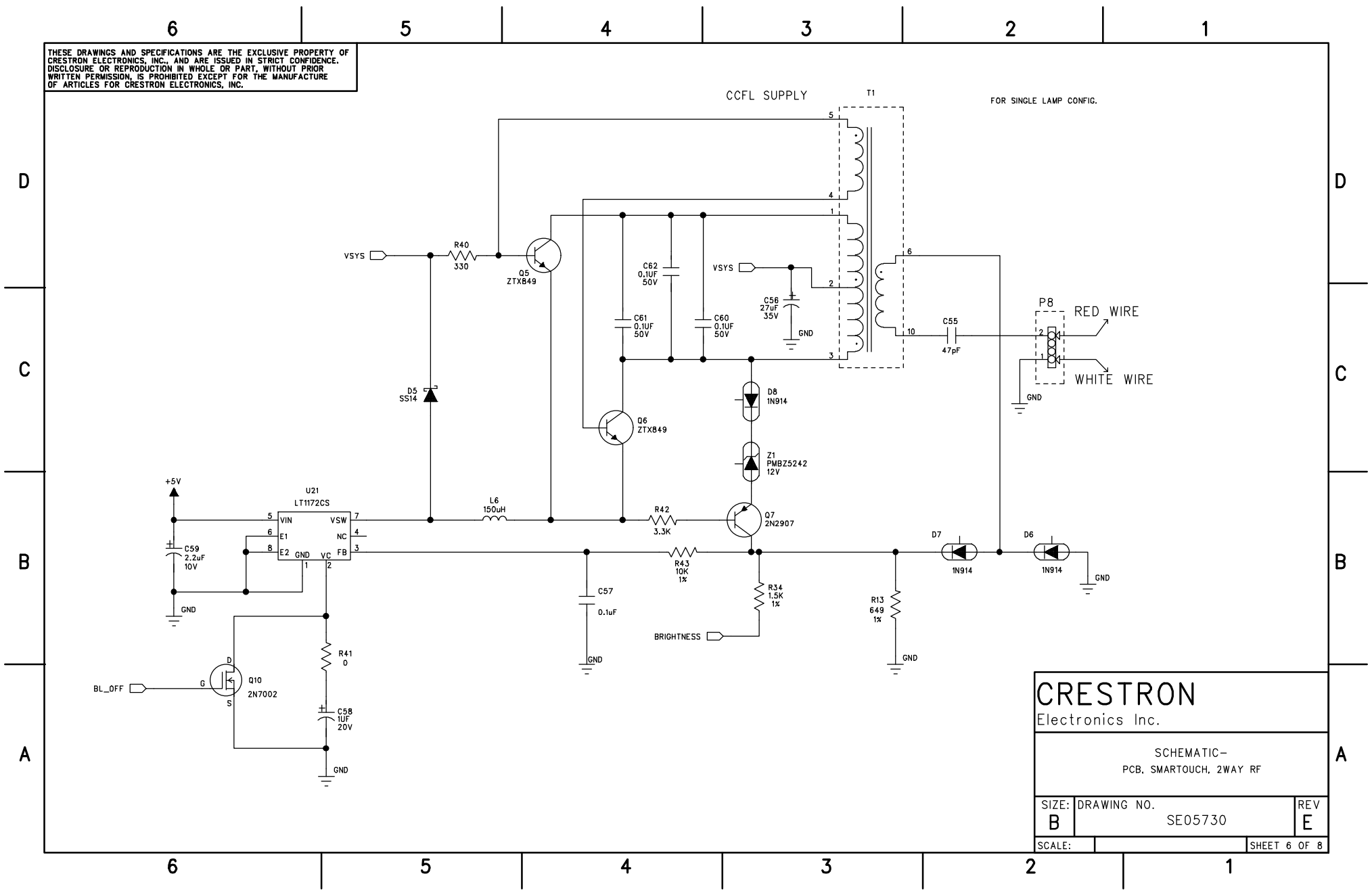


CRESTRON
Electronics Inc.

SCHMATIC -
PCB, SMARTOUCH, 2WAY RF

SIZE: B	DRAWING NO. SE05730	REV E
SCALE:	SHEET 5 OF 8	

THESE DRAWINGS AND SPECIFICATIONS ARE THE EXCLUSIVE PROPERTY OF CRESTRON ELECTRONICS, INC., AND ARE ISSUED IN STRICT CONFIDENCE. DISCLOSURE OR REPRODUCTION IN WHOLE OR PART, WITHOUT PRIOR WRITTEN PERMISSION, IS PROHIBITED EXCEPT FOR THE MANUFACTURE OF ARTICLES FOR CRESTRON ELECTRONICS, INC.



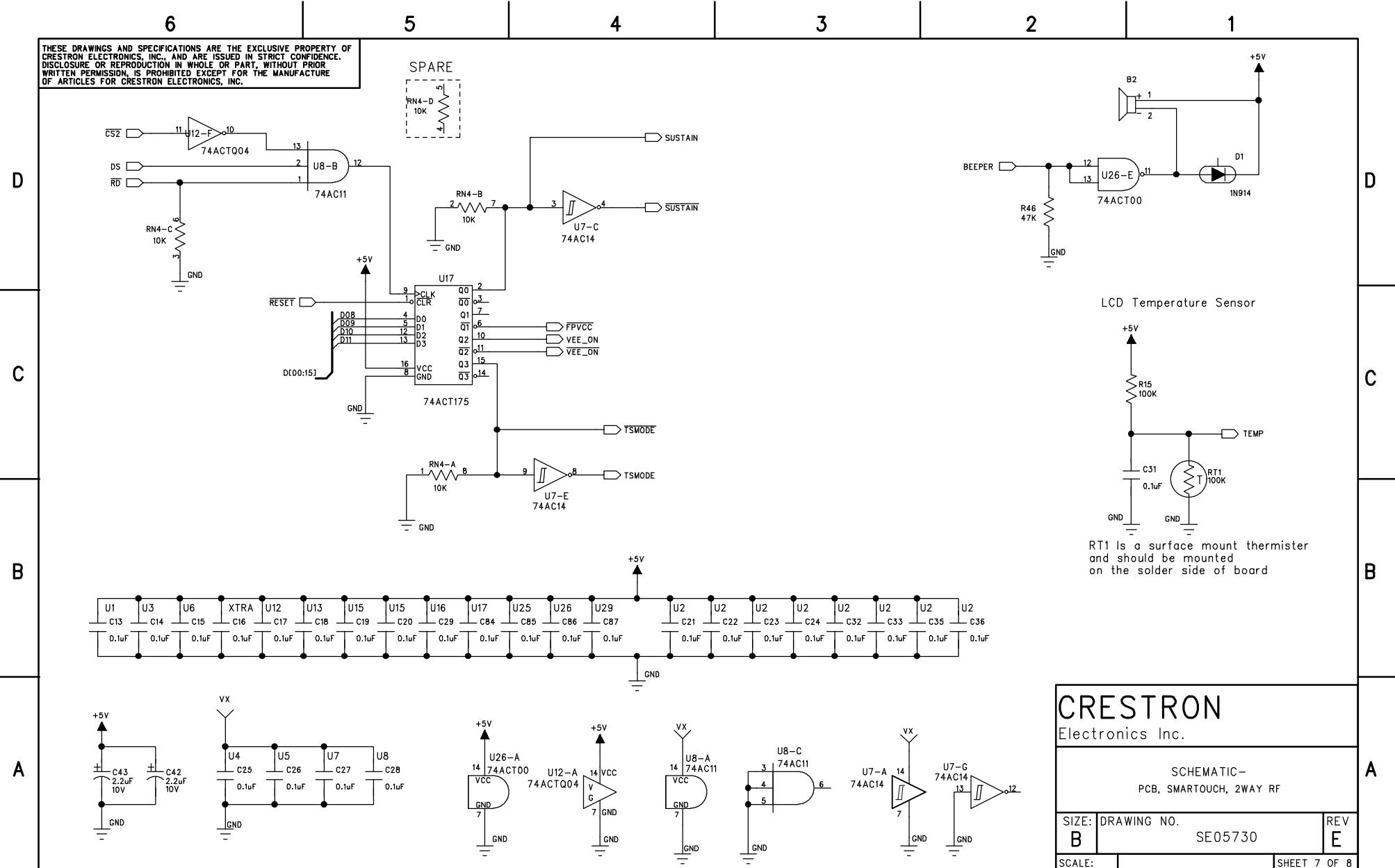
CRESTRON
Electronics Inc.

SCHMATIC-
PCB, SMARTOUCH, 2WAY RF

SIZE: B	DRAWING NO. SE05730	REV E
SCALE:		SHEET 6 OF 8

THESE DRAWINGS AND SPECIFICATIONS ARE THE EXCLUSIVE PROPERTY OF CRESTRON ELECTRONICS, INC., AND ARE ISSUED IN STRICT CONFIDENCE. DISCLOSURE OR REPRODUCTION IN WHOLE OR PART, WITHOUT PRIOR WRITTEN PERMISSION, IS PROHIBITED EXCEPT FOR THE MANUFACTURE OF ARTICLES FOR CRESTRON ELECTRONICS, INC.

SPARE



LCD Temperature Sensor

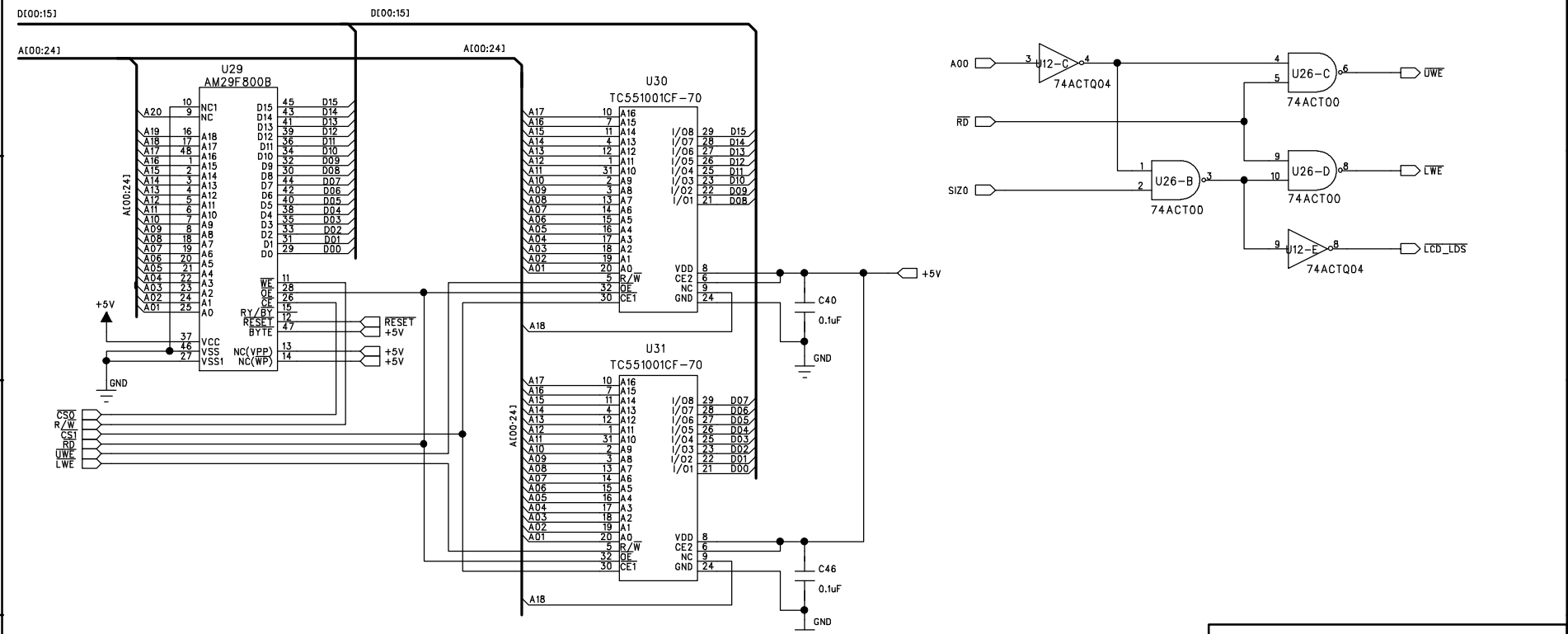
RT1 is a surface mount thermister and should be mounted on the solder side of board

CRESTRON
Electronics Inc.

SCHMATIC-
PCB, SMARTOUCH, 2WAY RF

SIZE: B	DRAWING NO. SE05730	REV E
SCALE:	SHEET 7 OF 8	

THESE DRAWINGS AND SPECIFICATIONS ARE THE EXCLUSIVE PROPERTY OF CRESTRON ELECTRONICS, INC., AND ARE ISSUED IN STRICT CONFIDENCE. DISCLOSURE OR REPRODUCTION IN WHOLE OR PART, WITHOUT PRIOR WRITTEN PERMISSION, IS PROHIBITED EXCEPT FOR THE MANUFACTURE OF ARTICLES FOR CRESTRON ELECTRONICS, INC.



CRESTRON
Electronics Inc.

SCHEMATIC—
PCB, SMARTOUCH, 2WAY RF

SIZE: B	DRAWING NO. SE05730	REV E
SCALE:	SHEET 8 OF 8	