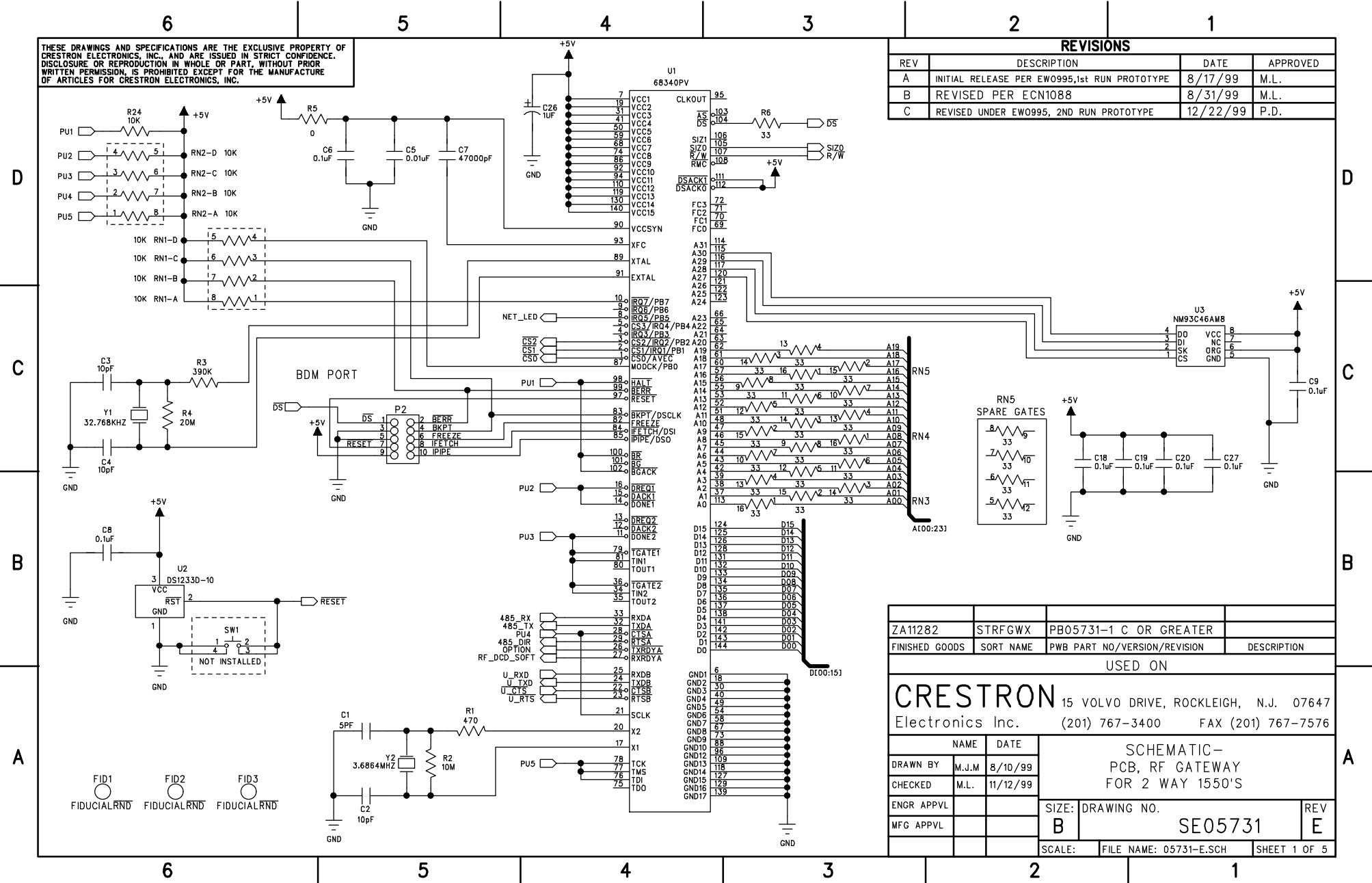


THESE DRAWINGS AND SPECIFICATIONS ARE THE EXCLUSIVE PROPERTY OF CRESTRON ELECTRONICS, INC. AND ARE ISSUED IN STRICT CONFIDENCE. DISCLOSURE OR REPRODUCTION IN WHOLE OR PART, WITHOUT PRIOR WRITTEN PERMISSION, IS PROHIBITED EXCEPT FOR THE MANUFACTURE OF ARTICLES FOR CRESTRON ELECTRONICS, INC.

REVISIONS			
REV	DESCRIPTION	DATE	APPROVED
A	INITIAL RELEASE PER EW0995, 1ST RUN PROTOTYPE	8/17/99	M.L.
B	REVISED PER ECN1088	8/31/99	M.L.
C	REVISED UNDER EW0995, 2ND RUN PROTOTYPE	12/22/99	P.D.



ZA11282	STRFGWX	PB05731-1 C OR GREATER	
FINISHED GOODS	SORT NAME	PWB PART NO./VERSION/REVISION	DESCRIPTION
USED ON			

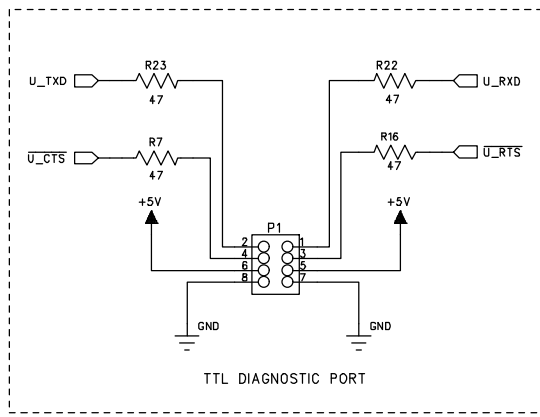
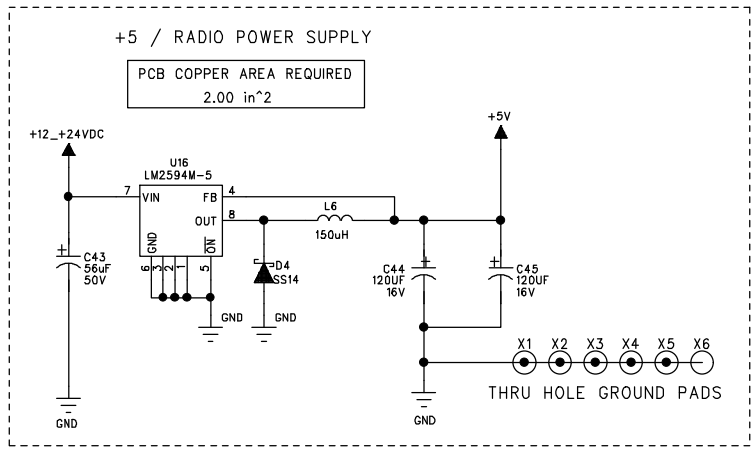
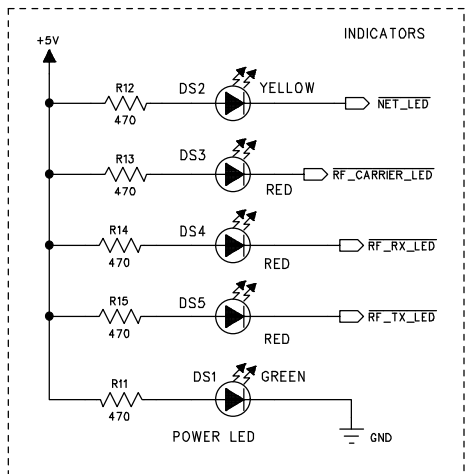
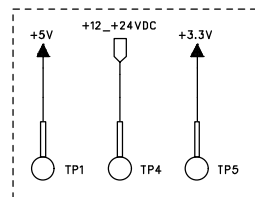
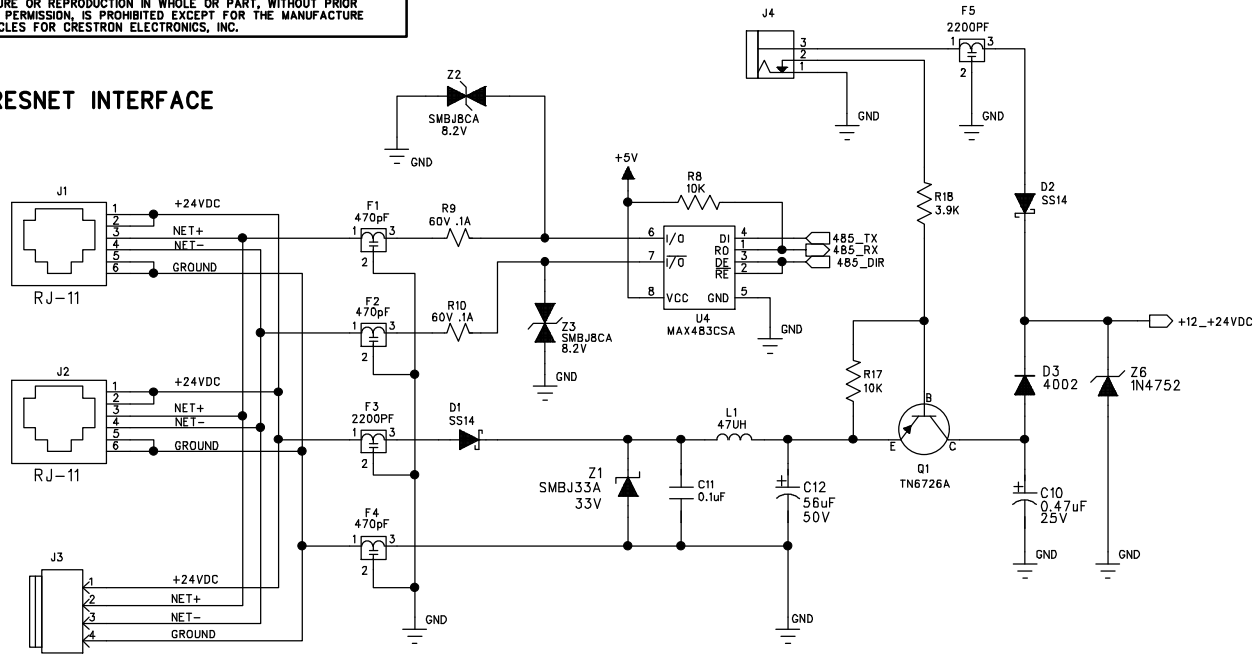
**CRESTRON** 15 VOLVO DRIVE, ROCKLEIGH, N.J. 07647  
 Electronics Inc. (201) 767-3400 FAX (201) 767-7576

NAME		DATE		SCHEMATIC- PCB, RF GATEWAY FOR 2 WAY 1550'S	
DRAWN BY	M.J.M	8/10/99			
CHECKED	M.L.	11/12/99		SIZE:	DRAWING NO.
ENGR APPVL				B	SE05731
MFG APPVL				SCALE:	FILE NAME: 05731-E.SCH
				SHEET 1 OF 5	REV E

THESE DRAWINGS AND SPECIFICATIONS ARE THE EXCLUSIVE PROPERTY OF CRESTRON ELECTRONICS, INC., AND ARE ISSUED IN STRICT CONFIDENCE. DISCLOSURE OR REPRODUCTION IN WHOLE OR PART, WITHOUT PRIOR WRITTEN PERMISSION, IS PROHIBITED EXCEPT FOR THE MANUFACTURE OF ARTICLES FOR CRESTRON ELECTRONICS, INC.

+12 TO +18VDC @ .5A

CRESNET INTERFACE



**CRESTRON**  
Electronics Inc.

SCHEMATIC-  
PCB, RF GATEWAY  
FOR 2 WAY 1550'S

SIZE: DRAWING NO.	REV
SE05731	E
SCALE:	SHEET 2 OF 5

6

5

4

3

2

1

THESE DRAWINGS AND SPECIFICATIONS ARE THE EXCLUSIVE PROPERTY OF CRESTRON ELECTRONICS, INC. AND ARE ISSUED IN STRICT CONFIDENCE. DISCLOSURE OR REPRODUCTION IN WHOLE OR PART, WITHOUT PRIOR WRITTEN PERMISSION, IS PROHIBITED EXCEPT FOR THE MANUFACTURE OF ARTICLES FOR CRESTRON ELECTRONICS, INC.

U6 & U9 can be 29F010

U7 & U8 can be 512Kx8 or 128Kx8 SRAMs  
U10 & U11 can be 512Kx8 or 128Kx8 SRAMs

D

D

C

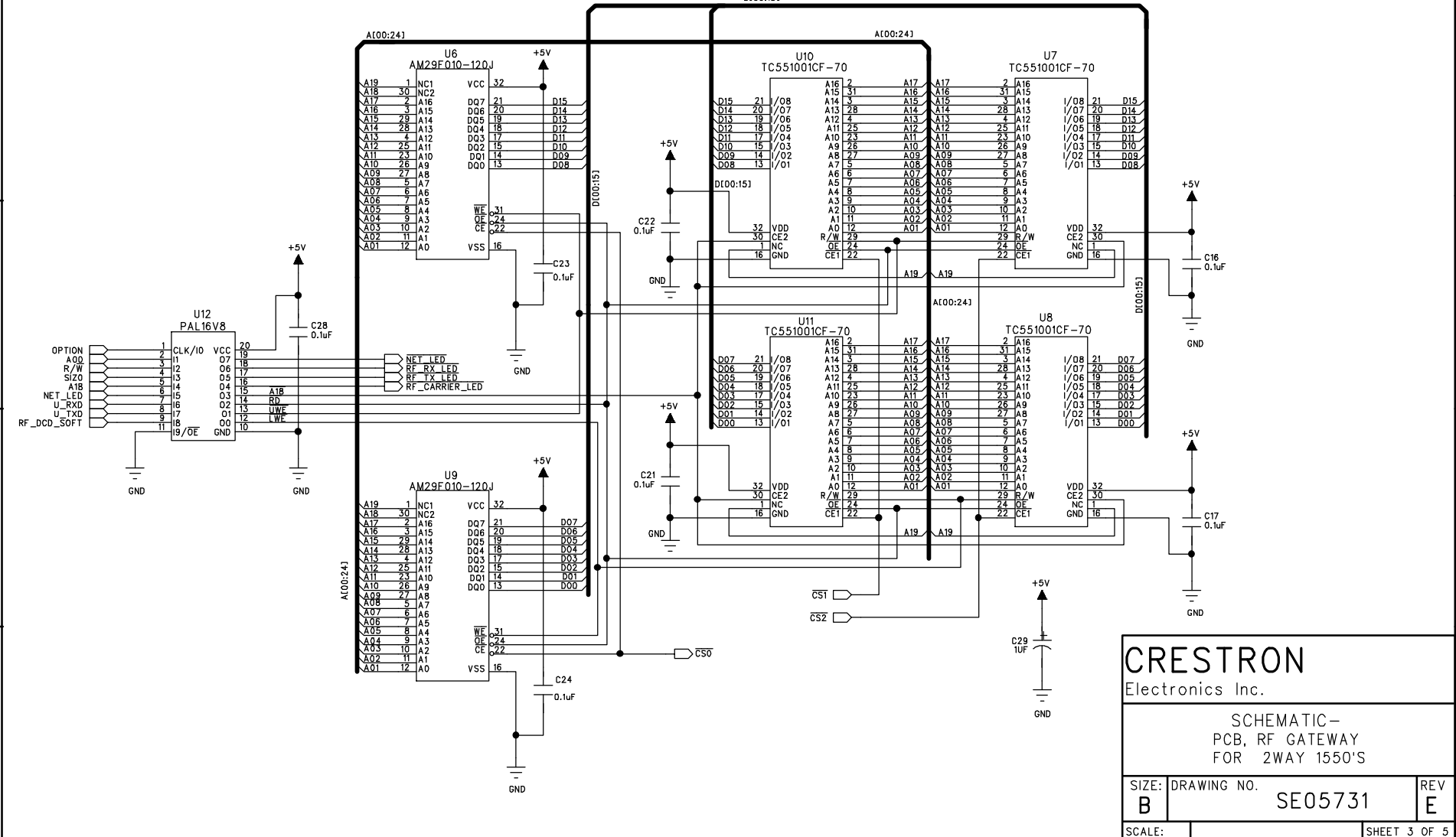
C

B

B

A

A

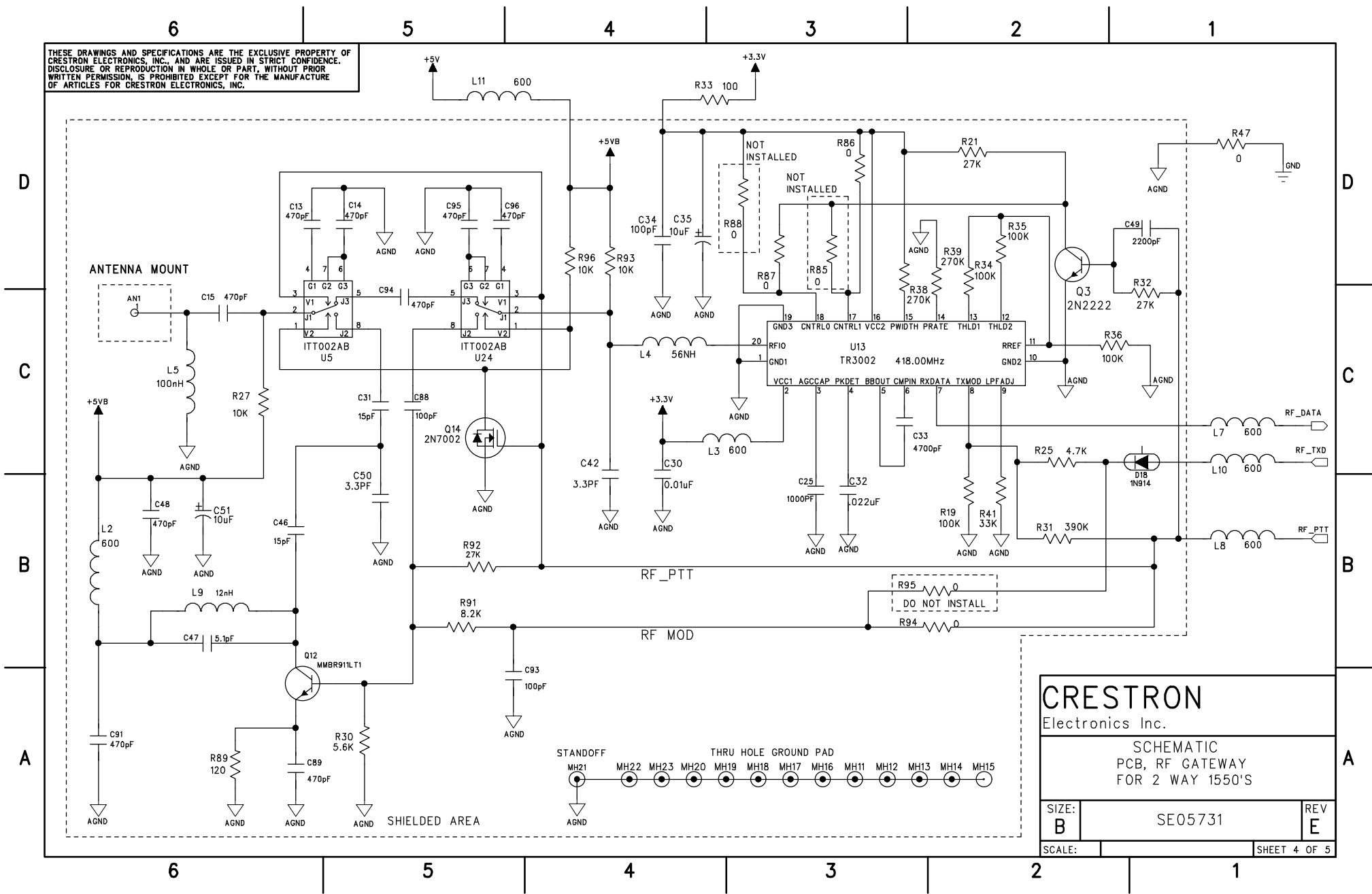


**CRESTRON**  
Electronics Inc.

SCHEMATIC-  
PCB, RF GATEWAY  
FOR 2WAY 1550'S

SIZE: B	DRAWING NO. SE05731	REV E
SCALE:	SHEET 3 OF 5	

THESE DRAWINGS AND SPECIFICATIONS ARE THE EXCLUSIVE PROPERTY OF CRESTRON ELECTRONICS, INC. AND ARE ISSUED IN STRICT CONFIDENCE. DISCLOSURE OR REPRODUCTION IN WHOLE OR PART, WITHOUT PRIOR WRITTEN PERMISSION, IS PROHIBITED EXCEPT FOR THE MANUFACTURE OF ARTICLES FOR CRESTRON ELECTRONICS, INC.



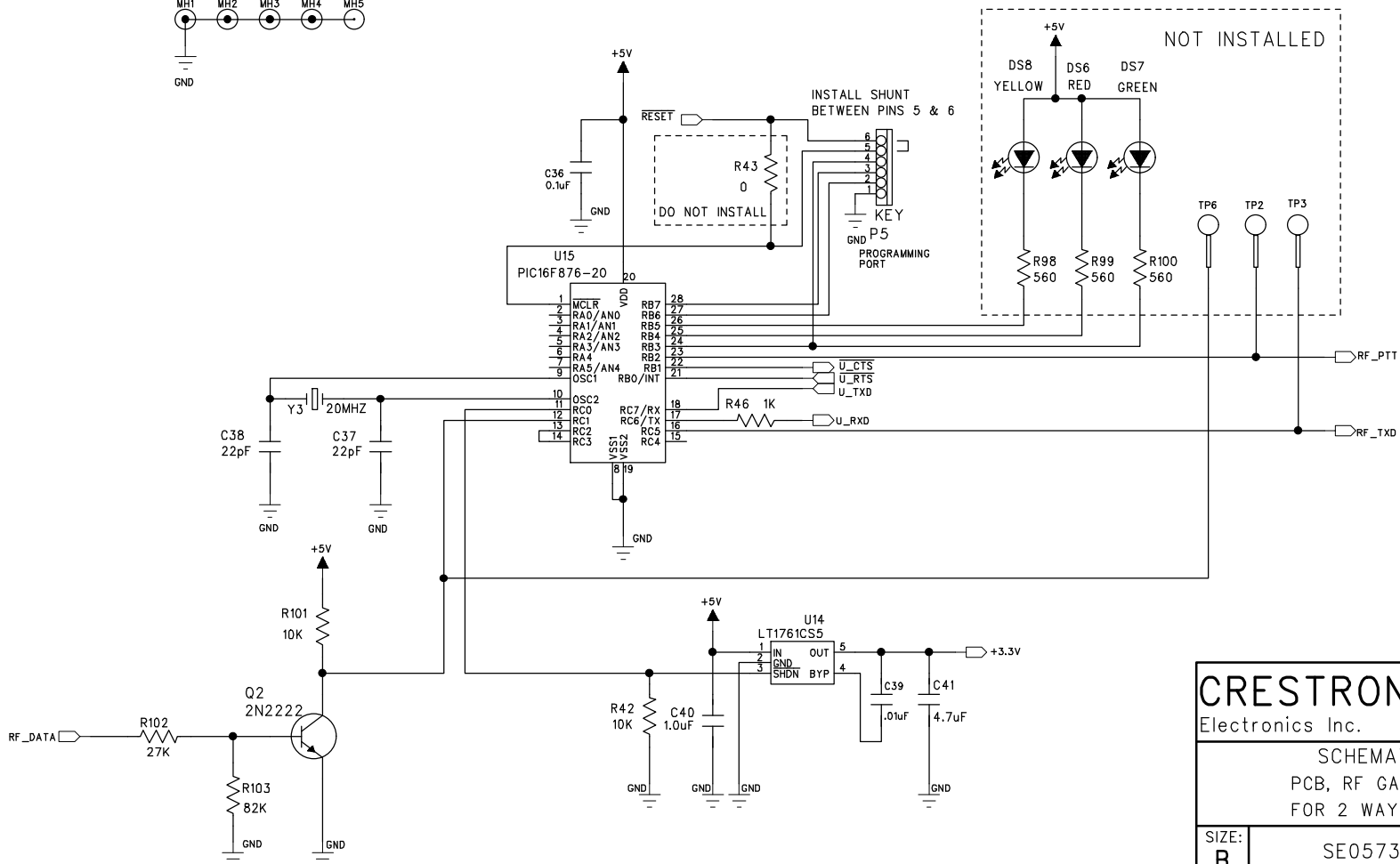
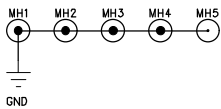
**CRESTRON**  
Electronics Inc.

SCHEMATIC  
PCB, RF GATEWAY  
FOR 2 WAY 1550'S

SIZE: B	SE05731	REV E
SCALE:	SHEET 4 OF 5	

THESE DRAWINGS AND SPECIFICATIONS ARE THE EXCLUSIVE PROPERTY OF CRESTRON ELECTRONICS, INC., AND ARE ISSUED IN STRICT CONFIDENCE. DISCLOSURE OR REPRODUCTION IN WHOLE OR PART, WITHOUT PRIOR WRITTEN PERMISSION, IS PROHIBITED EXCEPT FOR THE MANUFACTURE OF ARTICLES FOR CRESTRON ELECTRONICS, INC.

MOUNTING HOLES



**CRESTRON**  
Electronics Inc.

SCHMATIC  
PCB, RF GATEWAY  
FOR 2 WAY 1550'S

SIZE: B	SE05731	REV E
SCALE:	SHEET 5 OF 5	