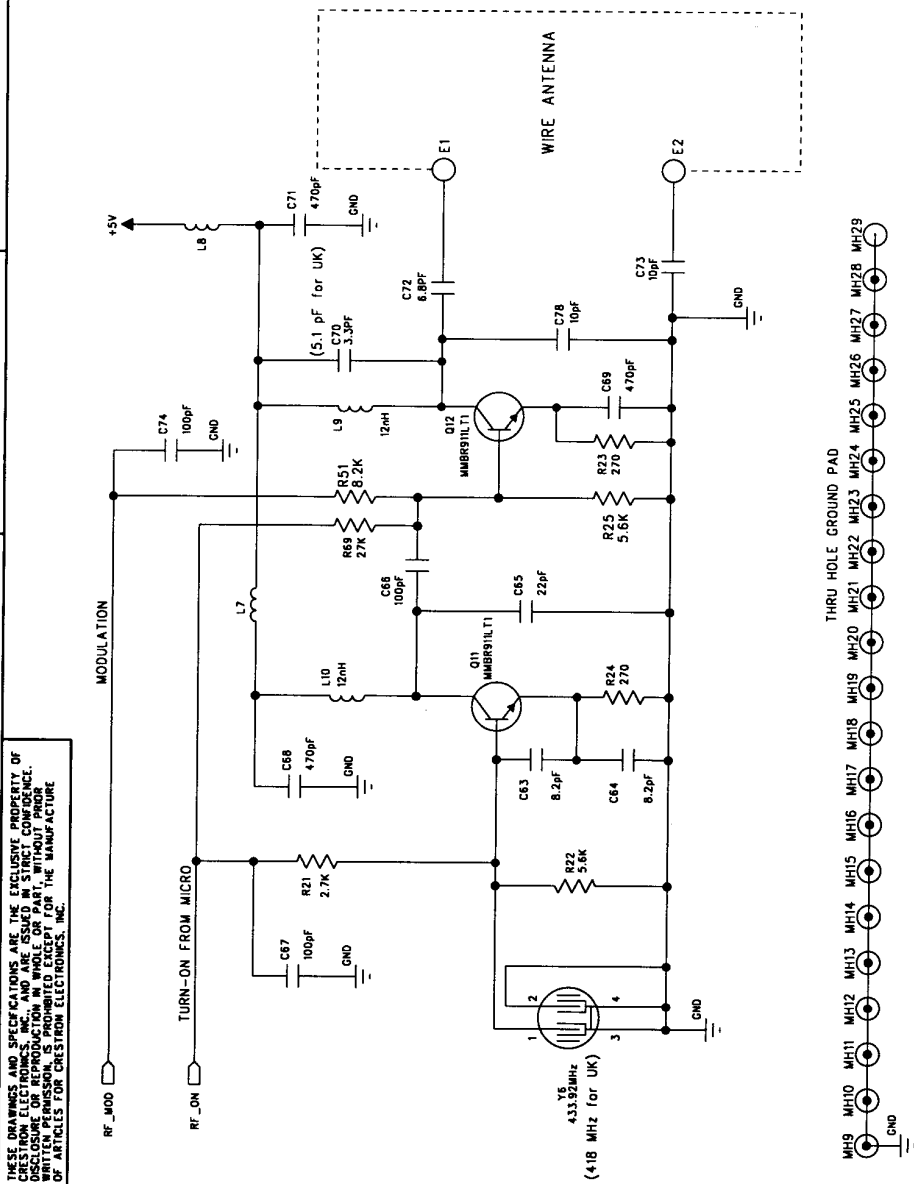


THESE DRAWINGS AND SPECIFICATIONS ARE THE EXCLUSIVE PROPERTY OF CRESTRON ELECTRONICS, INC. AND ARE ISSUED IN STRICT CONFIDENCE. NO PART OF THIS DRAWING IS TO BE REPRODUCED OR TRANSMITTED IN ANY FORM OR BY ANY MEANS, ELECTRONIC OR MECHANICAL, WITHOUT WRITTEN PERMISSION. IS PROHIBITED EXCEPT FOR THE MANUFACTURE OF ARTICLES FOR CRESTRON ELECTRONICS, INC.

REVISIONS			
REV	DESCRIPTION	DATE	APPROVED
A	INITIAL PROTOTYPE ISSUE PER EW0903	7/2/98	MK
B	REVISED, NO ECN PROVIDED RELEASED TO PRODUCTION PER ECN475	10/27/98	MK
C	REVISED PER ECN990	7/30/99	MK
D	REVISED PER ECN119		



NAME		DATE	
DRAWN BY	MK	3/26/98	
CHECKED			
ENGR APPVL	MK	7/2/98	
MFG APPVL			

CRESTRON 15 VOLVO DRIVE, ROCKLEIGH, N.J. 07647  
 Electronics Inc. (201) 767-3400 FAX (201) 767-7576

FINISHED GOODS		SORT NAME		PWB PART NO/VERSION/REVISION		DESCRIPTION	
ZA1116.3	ST-1550/UK						
ZA11108	ST-1550						
ZA11165	ST-1550C/UK					PB05658-1 C OR GREATER	
ZA11109	ST-1550C						

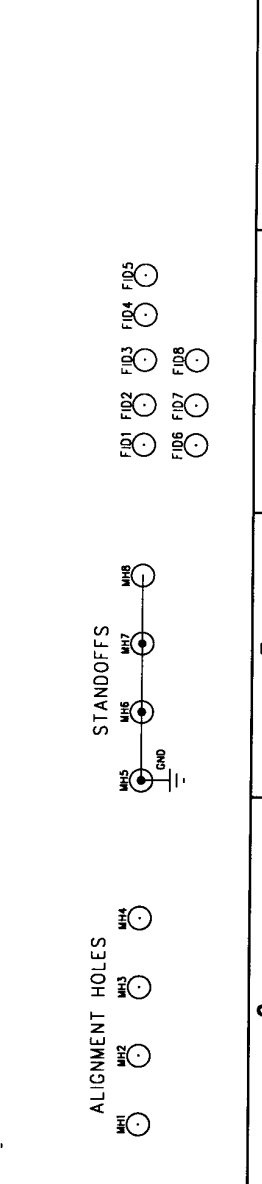
USED ON

NAME		DATE	
DRAWN BY	MK	3/26/98	
CHECKED			
ENGR APPVL	MK	7/2/98	
MFG APPVL			

SCHEMATIC -  
 MINI-SMARTOUCH 6", RF  
 COLOR PROCESSOR

SIZE	DRAWING NO.	REV
B	SE05658	D

SCALE: FILE NAME: D5658-D.SCH SHEET 1 OF 8



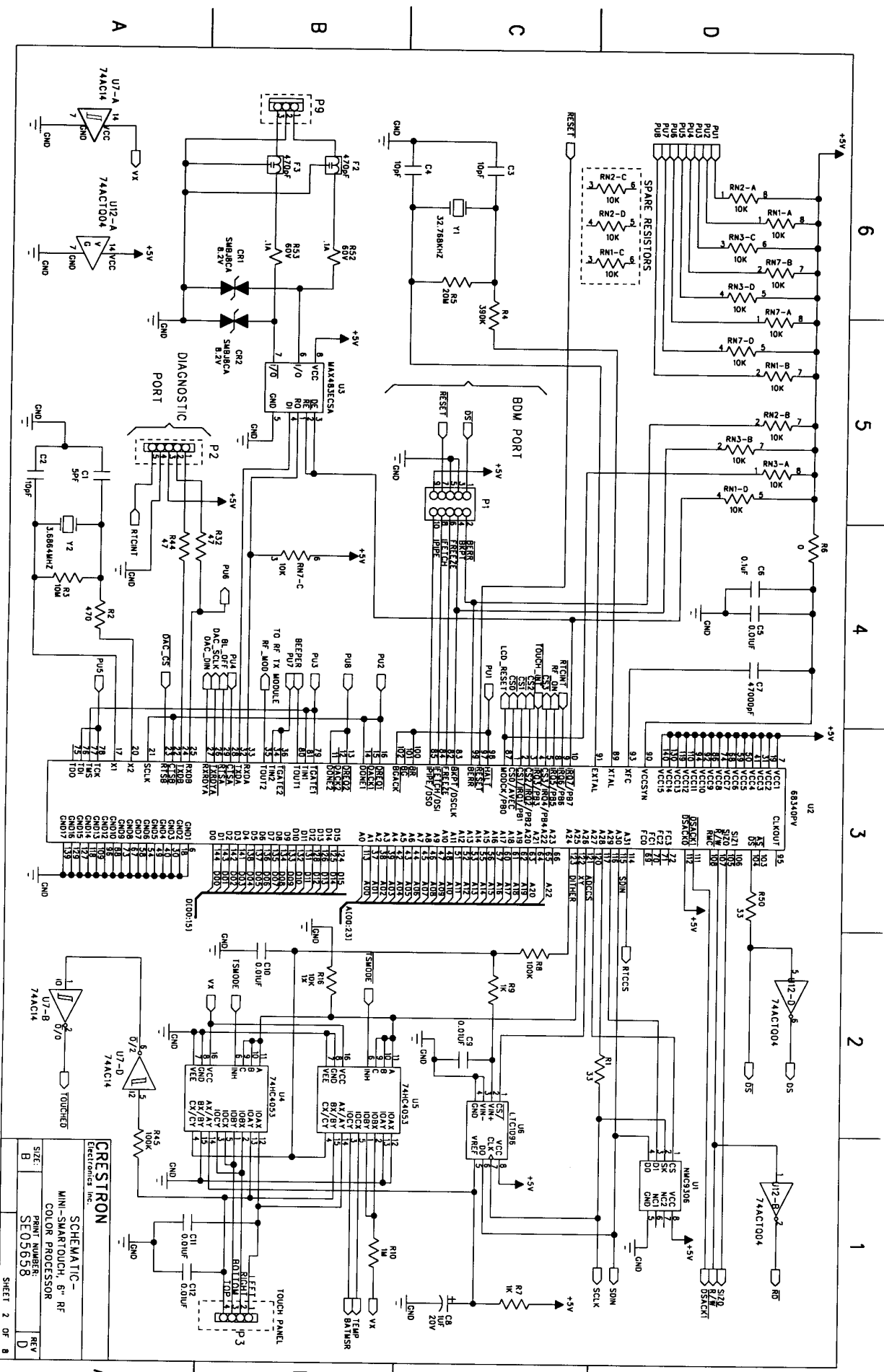
1 2 3 4 5 6

D C B A

6 2 1

3 4 5 6

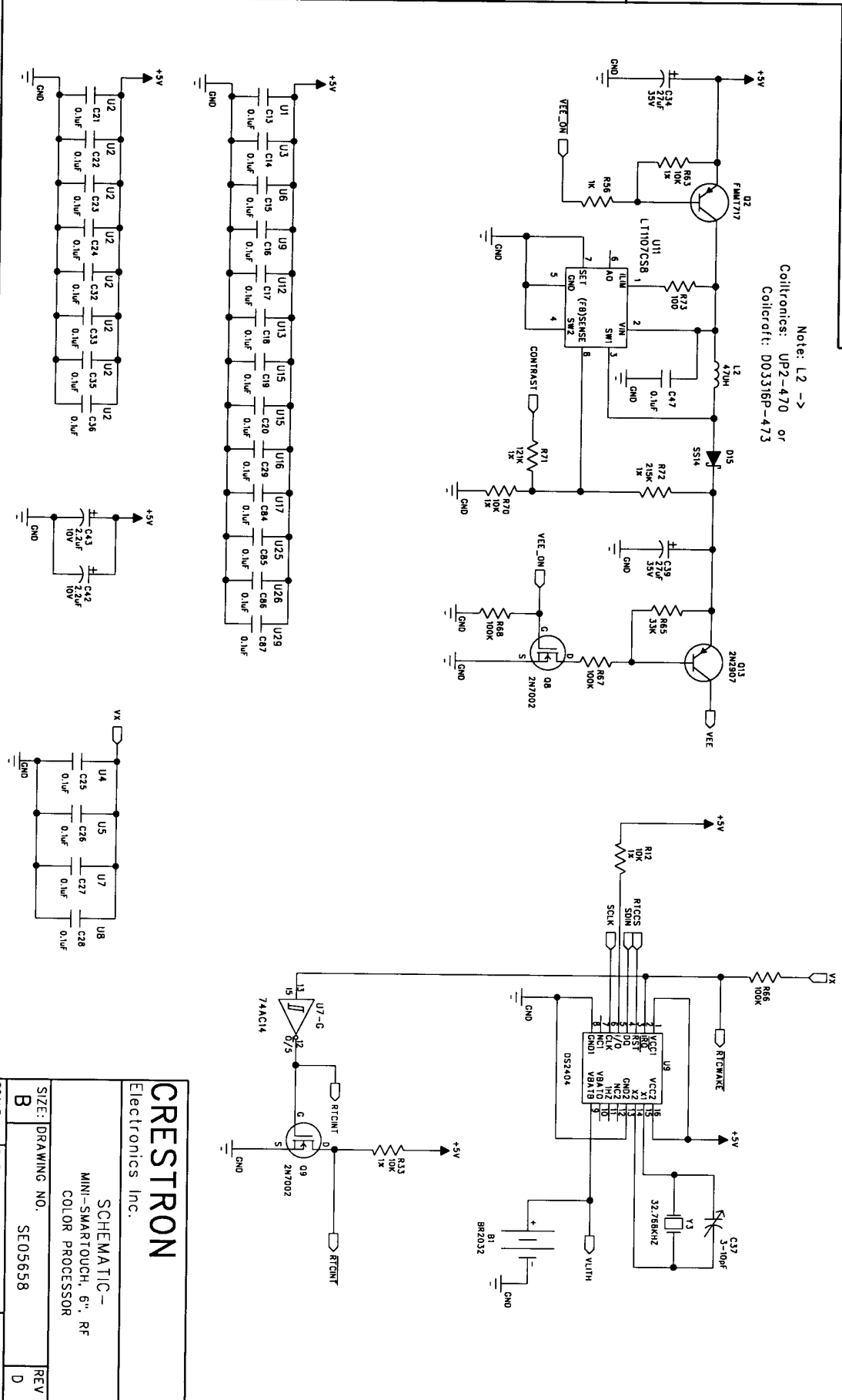
1 2



**CRESTRON**  
 SCHEMATIC-  
 MINI-SMARTTOUCH, 6" RF  
 COLOR PROCESSOR  
 PRINT NUMBER: SE05658  
 REV D  
 SHEET 2 OF 8

THESE DRAWINGS AND SPECIFICATIONS ARE THE EXCLUSIVE PROPERTY OF  
 CHESTRON ELECTRONICS, INC. AND ARE ASSUED IN STRICT CONFIDENCE.  
 NO REPRODUCTION IN WHOLE OR PART, WITHOUT PERMIT  
 OF ARTICLES FOR CHESTRON ELECTRONICS, INC.

Note: L2 ->  
 Coilronics: UP2-470 or  
 Colicraft: D03316P-473



6 5 4 3 2 1

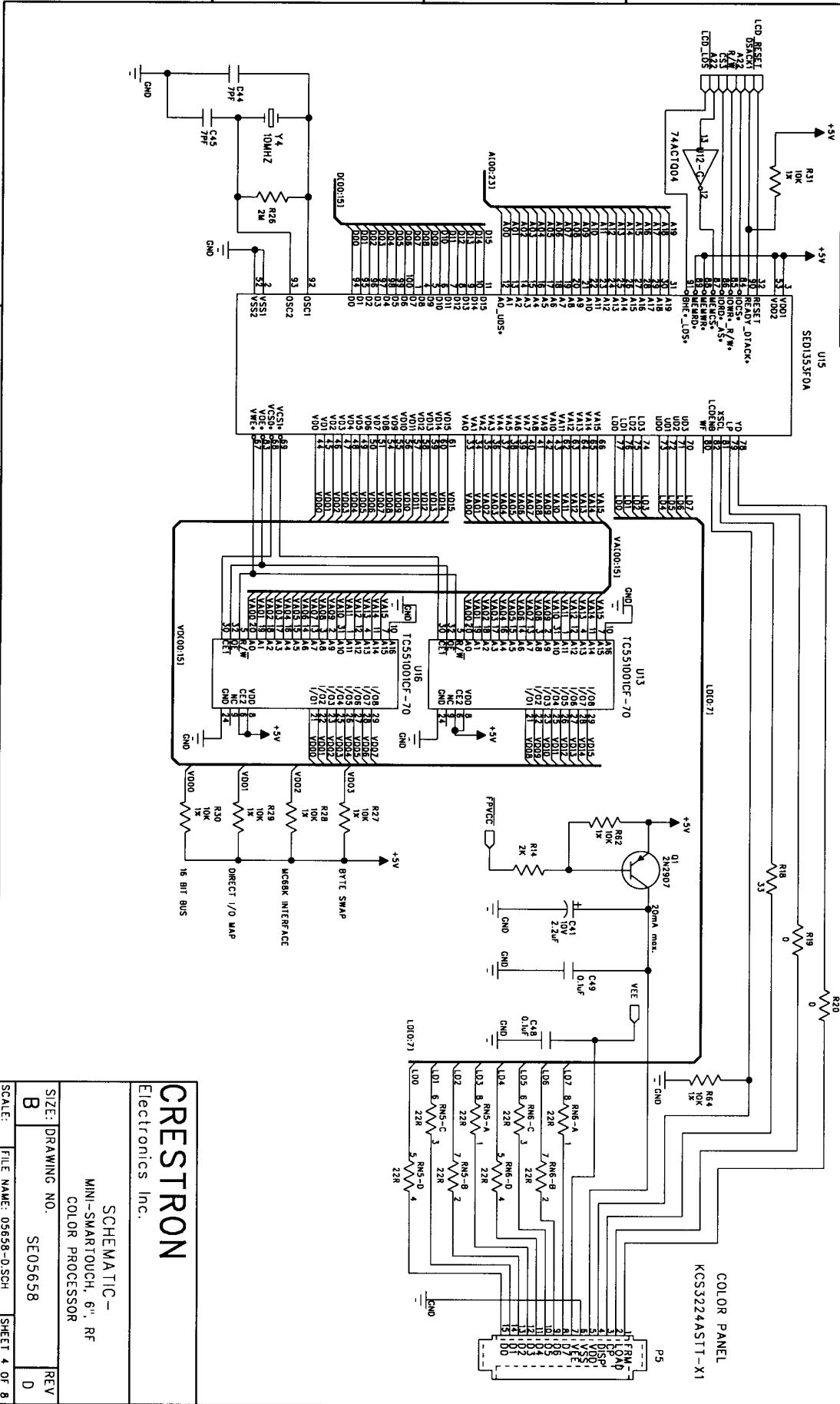
**CHESTRON**  
 Electronics Inc.

SCHMATIC-  
 MINI-SMARTOUCH, 6", RF  
 COLOR PROCESSOR

SIZE: DRAWING NO. SE05658  
 REV D

SCALE: FILE NAME: 05658-D-SCH SHEET 3 OF 8

THESE DRAWINGS AND SPECIFICATIONS ARE THE EXCLUSIVE PROPERTY OF CRESTRON ELECTRONICS, INC. AND ARE NOT TO BE REPRODUCED, COPIED, DISCLOSED OR REPRODUCED IN WHOLE OR PART WITHOUT PRIOR WRITTEN PERMISSION. IS PROHIBITED EXCEPT FOR THE MANUFACTURE OF ARTICLES FOR CRESTRON ELECTRONICS, INC.



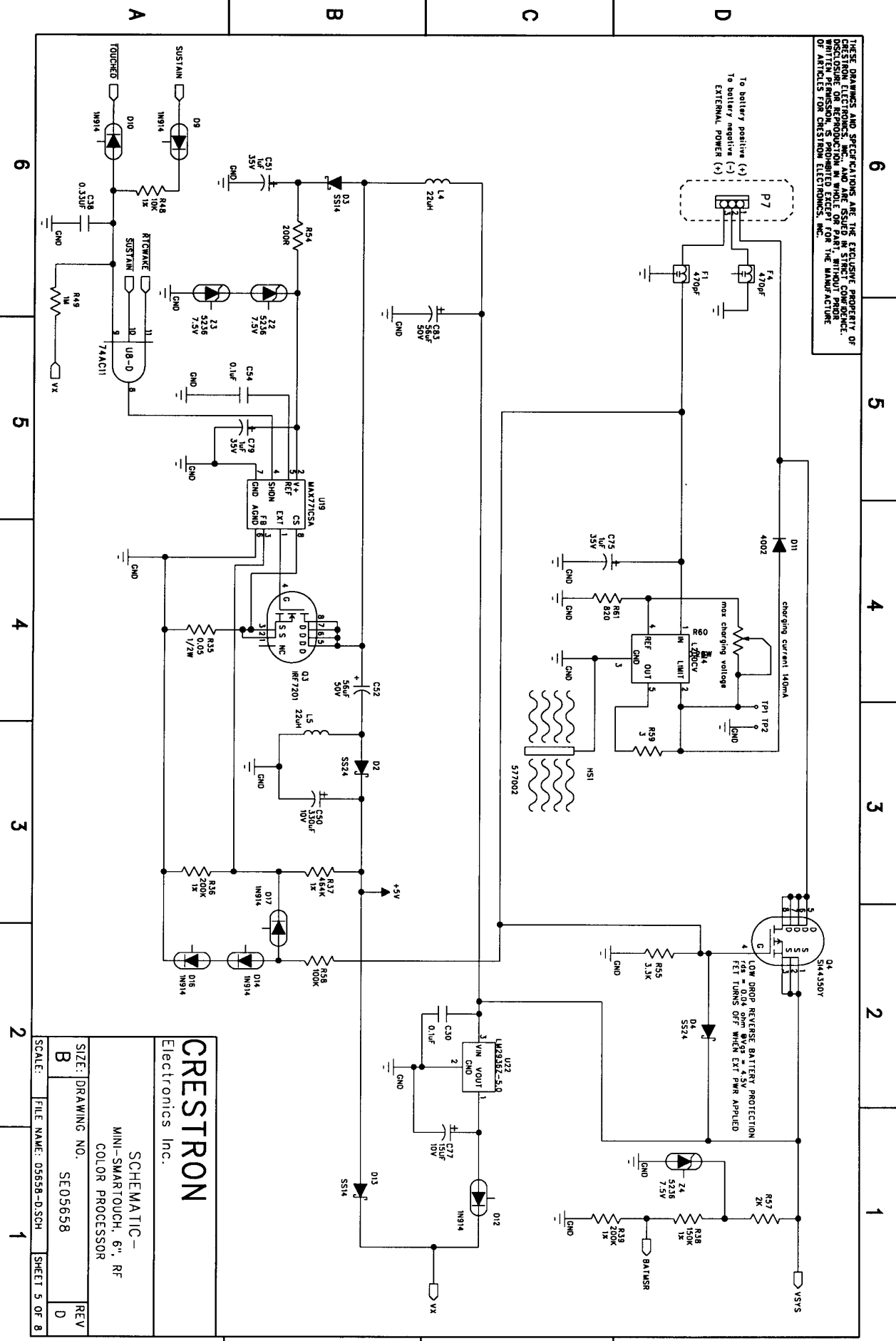
**CRESTRON**  
 Electronics Inc.

SCHEMATIC -  
 MINI-SMARTOUCH, 6", RF  
 COLOR PROCESSOR

SIZE: DRAWING NO. SE05658  
 REV D

SCALE: FILE NAME: 05658-D-SCH SHEET 4 OF 8

THESE DRAWINGS AND SPECIFICATIONS ARE THE EXCLUSIVE PROPERTY OF CRESTRON ELECTRONICS, INC. AND ARE ISSUED IN STRICT CONFIDENCE. NO PARTS, INFORMATION, OR DRAWINGS ARE TO BE REPRODUCED OR COPIED WITHOUT WRITTEN PERMISSION. IS PROHIBITED EXCEPT FOR THE MANUFACTURE OF ARTICLES FOR CRESTRON ELECTRONICS, INC.



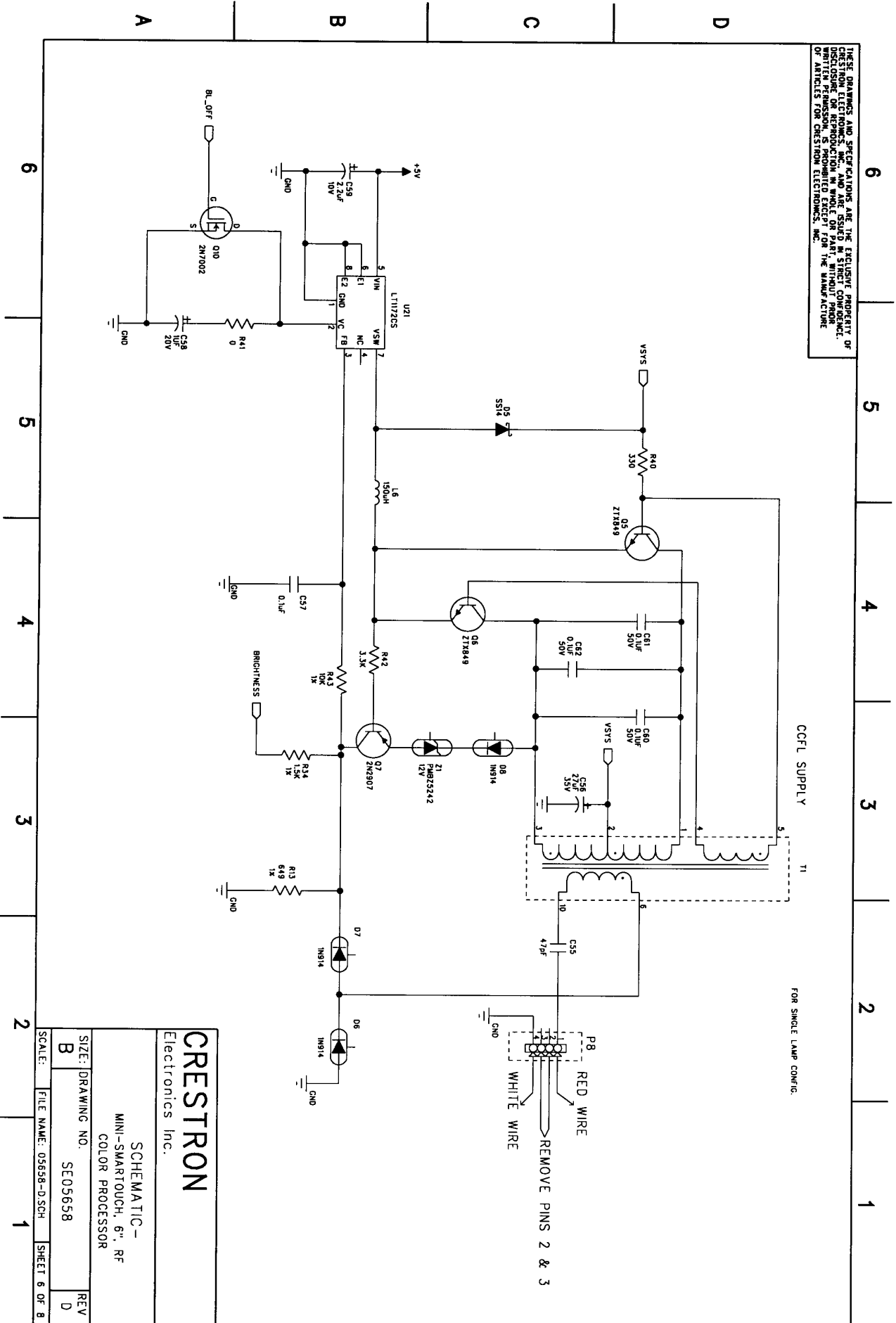
**CRESTRON**  
Electronics Inc.

SCHEMATIC -  
MINI-SMARTOUCH, 6", RF  
COLOR PROCESSOR

SIZE: DRAWING NO. SE05658  
REV D

SCALE: FILE NAME: D5658-D-SCH SHEET 5 OF 8

THESE DRAWINGS AND SPECIFICATIONS ARE THE EXCLUSIVE PROPERTY OF CRESTRON ELECTRONICS, INC. ANY REPRODUCTION OR DISSEMINATION OF THIS INFORMATION WITHOUT WRITTEN PERMISSION IS PROHIBITED EXCEPT FOR THE MANUFACTURE OF ARTICLES FOR CRESTRON ELECTRONICS, INC.



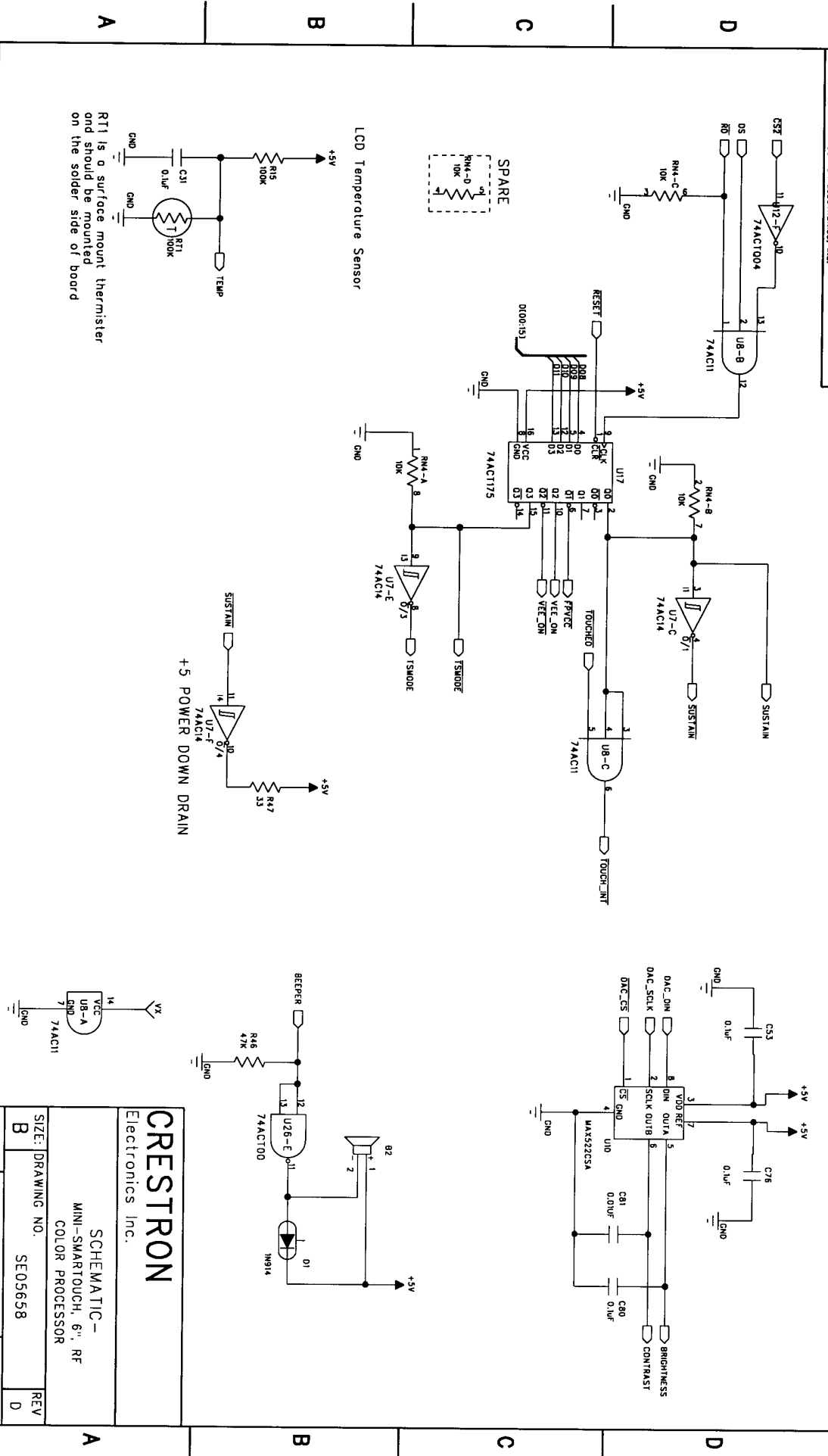
**CRESTRON**  
Electronics Inc.

SCHEMATIC -  
MINI-SMARTOUCH, 6", RF  
COLOR PROCESSOR

SIZE: DRAWING NO. SE05658  
REV D

SCALE: FILE NAME: 05658-D.SCH SHEET 6 OF 8

THESE DRAWINGS AND SPECIFICATIONS ARE THE EXCLUSIVE PROPERTY OF CRESTRON ELECTRONICS, INC. AND ARE ISSUED IN STRICT CONFIDENCE. NO PART OF THIS DOCUMENT IS TO BE REPRODUCED OR TRANSMITTED IN ANY FORM OR BY ANY MEANS, ELECTRONIC OR MECHANICAL, WITHOUT THE WRITTEN PERMISSION AND/OR AUTHORIZATION OF CRESTRON ELECTRONICS, INC. OR ARTICLES FOR CRESTRON ELECTRONICS, INC.



6 5 4 3 2 1

**CRESTRON**  
Electronics Inc.

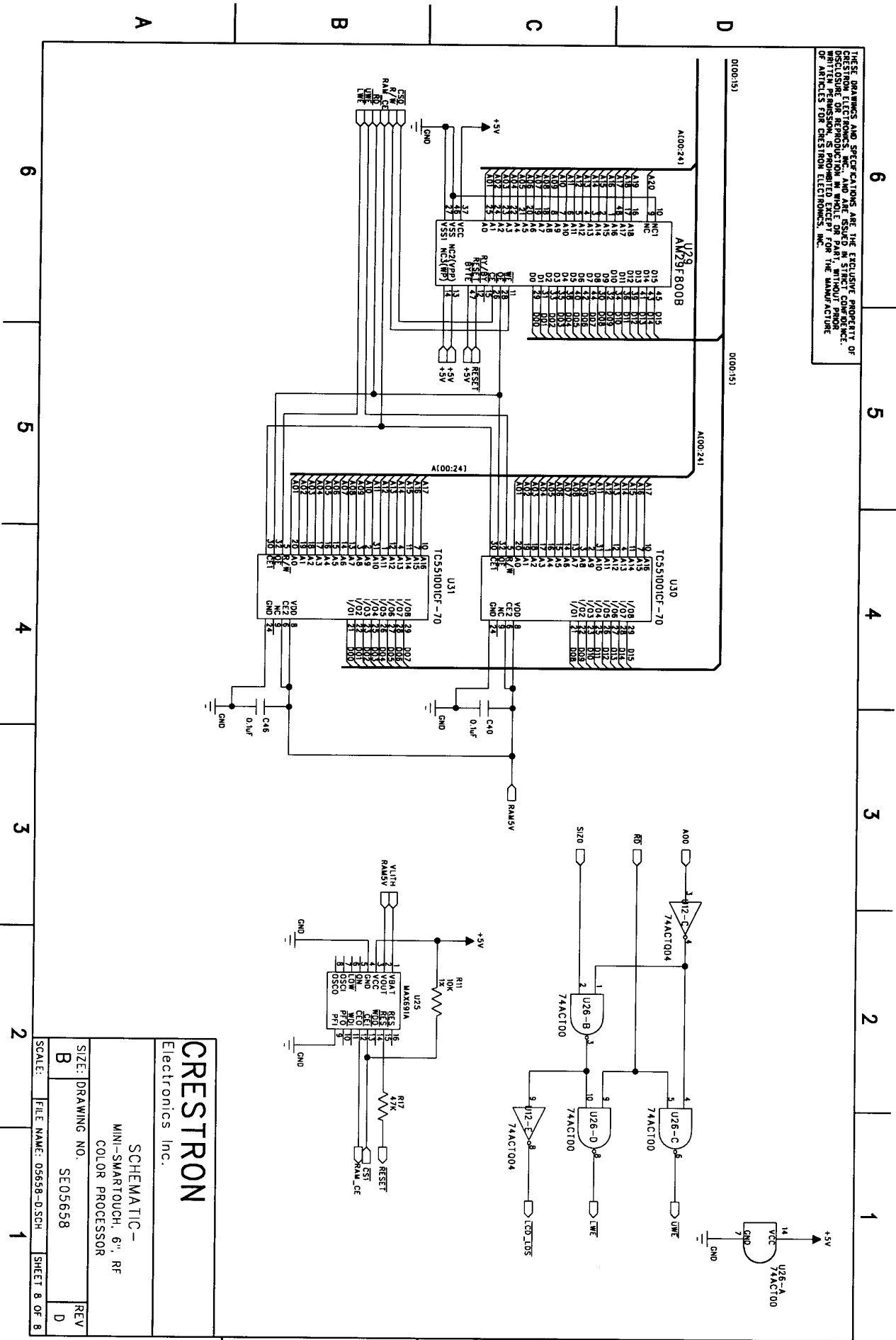
SCHMATIC-  
MINI-SMARTOUCH, 6", RF  
COLOR PROCESSOR

SIZE: DRAWING NO. SE05658  
REV D

SCALE: FILE NAME: 095658-D-SCH SHEET 7 OF 8

RT1 is a surface mount thermister and should be mounted on the solder side of board

THESE DRAWINGS AND SPECIFICATIONS ARE THE EXCLUSIVE PROPERTY OF CRESTRON ELECTRONICS, INC. AND ARE LOANED TO YOU FOR YOUR INFORMATION ONLY. NO REPRODUCTION OR TRANSMISSION IN ANY FORM OR BY ANY MEANS, ELECTRONIC OR MECHANICAL, INCLUDING PHOTOCOPYING, RECORDING, OR BY ANY INFORMATION STORAGE AND RETRIEVAL SYSTEM, IS PERMITTED WITHOUT THE WRITTEN PERMISSION. SUCH PERMISSION IS PROVIDED EXCEPT FOR THE MANUFACTURE OF ARTICLES FOR CRESTRON ELECTRONICS, INC.



# CRESTRON

Electronics Inc.

SCHEMATIC-  
MINI-SMARTOUCH, 6" RF  
COLOR PROCESSOR

SIZE: DRAWING NO. SE05658  
REV D

SCALE: FILE NAME: 05658-D-SCH SHEET 8 OF 8