



Description

The Crestron® CLC-FANDELVEX-W is an infiNET EX fan and light controller. The compact design allows it to securely fit in a fan canopy.

Refer to the following table for specifications for the CLC-FANDELVEX-W.

SPECIFICATION	DETAILS
Current Ratings	
Fan Load	120 Vac, 0.8 A, 60 Hz
Light Load	120 Vac, 200 W, 60 Hz (100 W Max for CFL or LED Loads)
Load Types	Dimmed incandescent, CFL, LED, tungsten, electronic low voltage NOTE: Do not connect to magnetic low-voltage type loads.
Environmental	
Temperature	32° to 104 °F (0° to 40 °C)
Humidity	10% to 90% RH (noncondensing)

The CLC-FANDELVEX-W has a multifunction ACQUIRE button and STATUS, LIGHT, and FAN LEDs. Their functions are described below.

The ACQUIRE button:

- Allows the device to connect to the infiNET EX network. Refer to the “Wireless Communications” section for details.
- Press to toggle the dimming load between on and off.
- Press to exit Identify mode.

The STATUS LED:

- Illuminates green to indicate it is receiving power.
- Flashes green to indicate infiNET EX acquire status.
- Flashes red to indicate error conditions.

NOTE: The green LED extinguishes after 1 minute. The red LED extinguishes when the error is cleared.

The LIGHT LED:

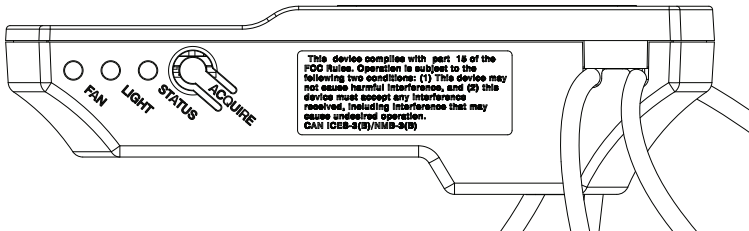
- Illuminates to indicate that a command was received to turn on the light.

NOTE: The LIGHT LED extinguishes after 1 minute.

The FAN LED:

- Illuminates to indicate that a command was received to turn on the fan.

NOTE: The FAN LED extinguishes after 1 minute.



Additional Resources

Visit the product page on the Crestron website (www.crestron.com) for additional information and the latest firmware updates. Use a QR reader application on your mobile device to scan the QR image.



Installation

WARNING: To avoid fire, shock, or death, turn off the power at the circuit breaker or fuse and test that the power is off before wiring!

WARNING: To reduce the risk of electric shock, install the CLC-FANDELVEX-W with an isolating wall control or switch.

CAUTION: To reduce the risk of overheating and possible damage to other equipment, do not install to control a receptacle.

NOTES: Observe the following points:

- Install and use this product in accordance with appropriate electrical codes and regulations.
- A licensed electrician should install this product.
- Do not install in a damp or moist environment. This product is for indoor use only.

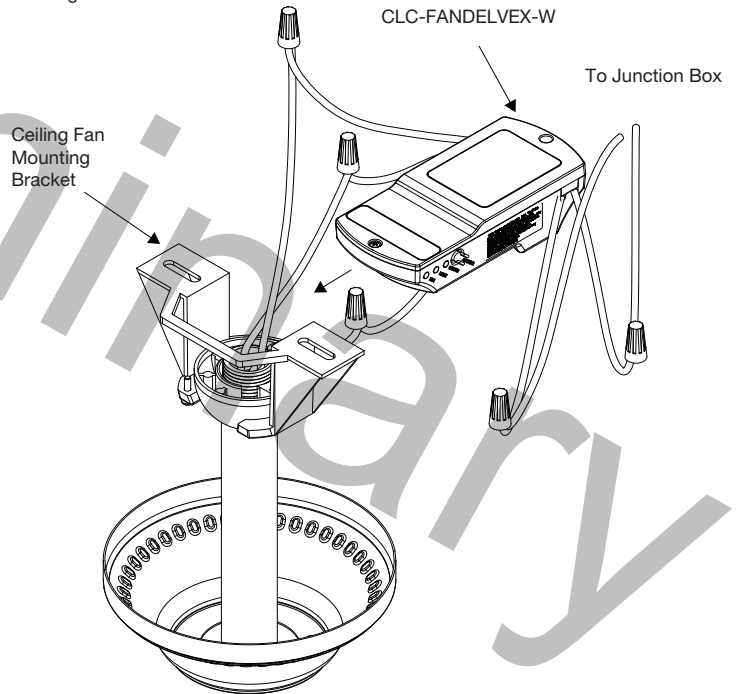
NOTE: Before using the CLC-FANDELVEX-W, ensure the device is using the latest firmware. Check for the latest firmware for the CLC-FANDELVEX-W at www.crestron.com/firmware. Firmware is loaded onto the device using Crestron Toolbox™ software.

NOTE: Refer to the documentation for the fan for proper installation or disassembly and reassembly.

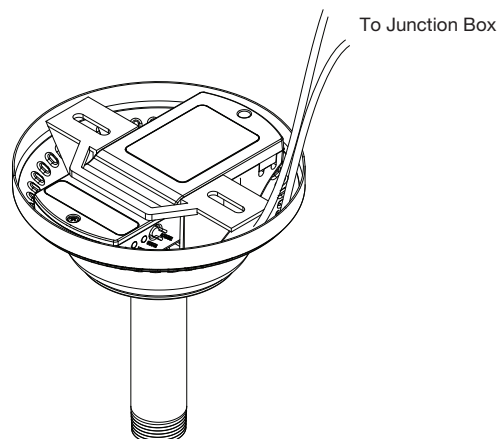
NOTE: Using the fan’s hardware controls, set the fan to high speed and the lights to on.

NOTE: Remove any pre-installed fan remote controller before installing the CLC-FANDELVEX.

Install the CLC-FANDELVEX-W after all connections have been made. The CLC-FANDELVEX-W can be inserted into most common fan canopies. Refer to the following illustration for details.



CLC-FANDELVEX-W Installed in Fan Canopy

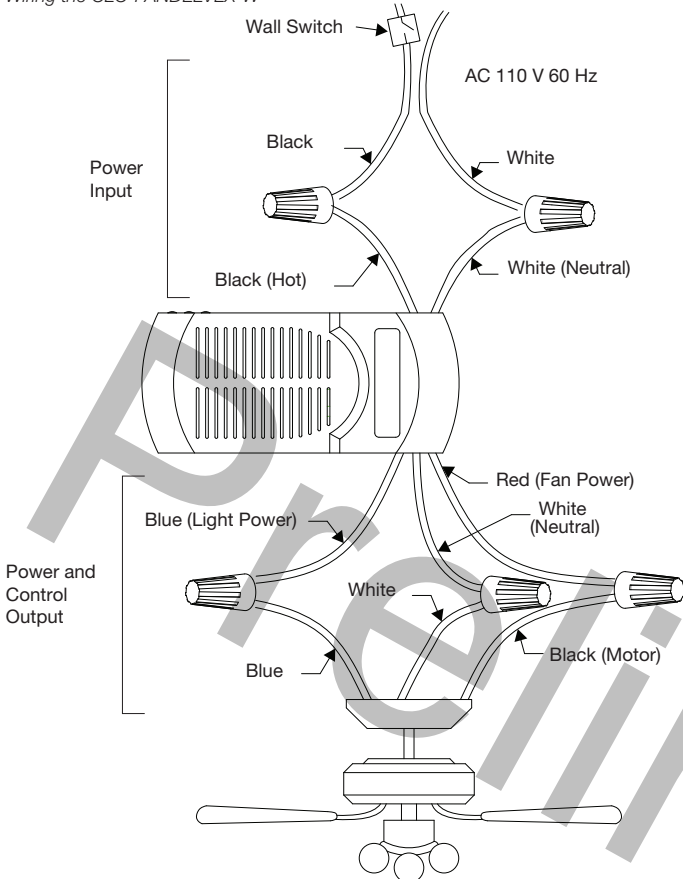


Wiring

The module has flying leads for power and control. Power enters the CLC-FANDELVEX-W and passes fan control and light power to the fan. The CLC-FANDELVEX-W has one black (hot) and one white (neutral) power input. It also has a red (fan), blue (light), and white (neutral) output for control.

NOTE: Refer to the documentation for the fan to ensure proper fan wiring.

Wiring the CLC-FANDELVEX-W



FAN WIRE	TYPICAL COLOR
Fan	Black
Lights	Blue
Neutral	White

MODULE WIRE	CONNECTION
White	Neutral wires to the junction box and fan
Black	Connects to the live wire.
Red	Connects to the fan motor wire.
Blue	Connects to the lights.

Wireless Communications

The device connects to the Crestron network via the infiNET EX communications protocol. Use the procedures outlined below to join or leave an infiNET EX network and to verify communications between the device and the control system.

Joining an infiNET EX Network

Before a device can be used in a lighting system, it must first join an infiNET EX network. To join an infiNET EX network, the device must be acquired by an infiNET EX gateway.

NOTE: A device can be acquired by only one gateway.

- Put the infiNET EX gateway into Acquire mode from the unit itself or from Crestron Toolbox. Refer to the gateway's manual at www.crestron.com/manuals for details.

NOTE: In an environment where multiple gateways are installed, only one gateway should be in Acquire mode at any time.

- Put the device into Acquire mode.
 - Tap the ACQUIRE button three times and then press and hold it down (tap-tap-tap-press+hold) until the green STATUS LED on the device blinks once (this can take up to 10 seconds).
 - Release the button to start the acquire process. The green STATUS LED blinks slowly to show that the device is actively scanning the infiNET EX network.
 - The green STATUS LED turns on for 5 seconds to show that the device has been successfully acquired by the infiNET EX network.
 - The green STATUS LED blinks fast to indicate that the device was not successfully acquired by the infiNET EX network. Tap the ACQUIRE button to acknowledge the failure. Ensure the gateway is in Acquire mode and within range before attempting the acquire process again.
- Once all devices have been acquired, take the gateway out of Acquire mode. Refer to the gateway's manual for details.

Leaving an infiNET EX Network

To leave an infiNET EX network, put the device into Acquire mode, as described in "Joining an infiNET EX Network" above, when no gateway is in Acquire mode.

Verifying Communications Status

To check the communications status of the device, tap the ACQUIRE button three times and then press and hold it down (tap-tap-tap-press+hold) for up to 2 seconds. The green STATUS LED blinks to indicate the communications status. Refer to the following table for details.

LED	COMMUNICATIONS STATUS
Turns on for 5 seconds	The device is communicating with the control system.
Blinks three times	The device is communicating with the gateway, but the gateway is not communicating with the control system.
Blinks twice	The device was previously joined to the network but is not communicating with the gateway.
Blinks once	The device is not joined to the network.

Error States

The LED blinks a pattern to indicate an error. The patterns listed below are described as 2-1 or 2-3. For a 2-1 error, an overcurrent condition, the LED blinks twice, pauses for 1 second, blinks once, pauses for two seconds, and then repeats until the error is corrected. During an overcurrent condition, the lights will turn off. Sending a new light level corrects the overcurrent condition.

For a 2-3 error, an overtemperature error, the LED blinks twice, pauses for 1 second, blinks three times, pauses for two seconds, and then repeats until the error is corrected. During an overtemperature condition, the light and fan will turn off. During an overtemperature error, requests to turn on the load or fan are ignored. The error clears when the device cools.

NOTE: The overtemperature error is not saved in nonvolatile memory and is cleared when power is cycled.

Regulatory Compliance

This product is Listed to applicable UL® Standards and requirements by Underwriters Laboratories Inc.

Conformité Réglementaire

Ce produit est homologué selon les normes et les exigences UL applicables par Underwriters Laboratories Inc.



Federal Communications Commission (FCC) Compliance Statement

This device complies with part 15 of the FCC Rules. Operation is subject to the following two conditions: (1) This device may not cause harmful interference, and (2) this device must accept any interference received, including interference that may cause undesired operation.

CAUTION: Changes or modifications not expressly approved by the manufacturer responsible for compliance could void the user's authority to operate the equipment.

NOTE: This equipment has been tested and found to comply with the limits for a Class B digital device, pursuant to part 15 of the FCC Rules. These limits are designed to provide reasonable protection against harmful interference when the equipment is operated in a commercial environment. This equipment generates, uses, and can radiate radio frequency energy and, if not installed and used in accordance with the instruction manual, may cause harmful interference to radio communications. Operation of this equipment in a residential area is likely to cause harmful interference in which case the user will be required to correct the interference at his own expense.

Industry Canada (IC) Compliance Statement

CAN ICES-3(B)/NMB-3(B)

This equipment should be installed and operated with a minimum distance 20cm between the radiator and your body. Cet équipement doit être installé et utilisé à une distance minimale de 20 cm entre le radiateur et votre corps.

This device complies with Industry Canada license-exempt RSS standard(s). Operation is subject to the following two conditions: (1) this device may not cause interference, and (2) this device must accept any interference, including interference that may cause undesired operation of the device.

Le présent appareil est conforme aux CNR d'Industrie Canada applicables aux appareils radio exempts de licence. L'exploitation est autorisée aux deux conditions suivantes : (1) l'appareil ne doit pas produire de brouillage, et (2) l'utilisateur de l'appareil doit accepter tout brouillage radioélectrique subi, même si le brouillage est susceptible d'en compromettre le fonctionnement.

The product warranty can be found at www.crestron.com/warranty.

The specific patents that cover Crestron products are listed at patents.crestron.com.

Certain Crestron products contain open source software. For specific information, please visit www.crestron.com/opensource.

Crestron, the Crestron logo, Crestron Toolbox, infiNET EX, and the infiNET EX logo are either trademarks or registered trademarks of Crestron Electronics, Inc. in the United States and/or other countries. UL and the UL logo are either trademarks or registered trademarks of Underwriters Laboratories, Inc. in the United States and/or other countries. Other trademarks, registered trademarks, and trade names may be used in this document to refer to either the entities claiming the marks and names or their products. Crestron disclaims any proprietary interest in the marks and names of others. Crestron is not responsible for errors in typography or photography.

This document was written by the Technical Publications department at Crestron.

©2016 Crestron Electronics, Inc.

Crestron Electronics, Inc.
15 Volvo Drive Rockleigh, NJ 07647
Tel: 888.CRESTRON
Fax: 201.767.7576
www.crestron.com

Installation Guide - DOC. 7705C
(2045179)

01.18

Specifications subject to
change without notice.