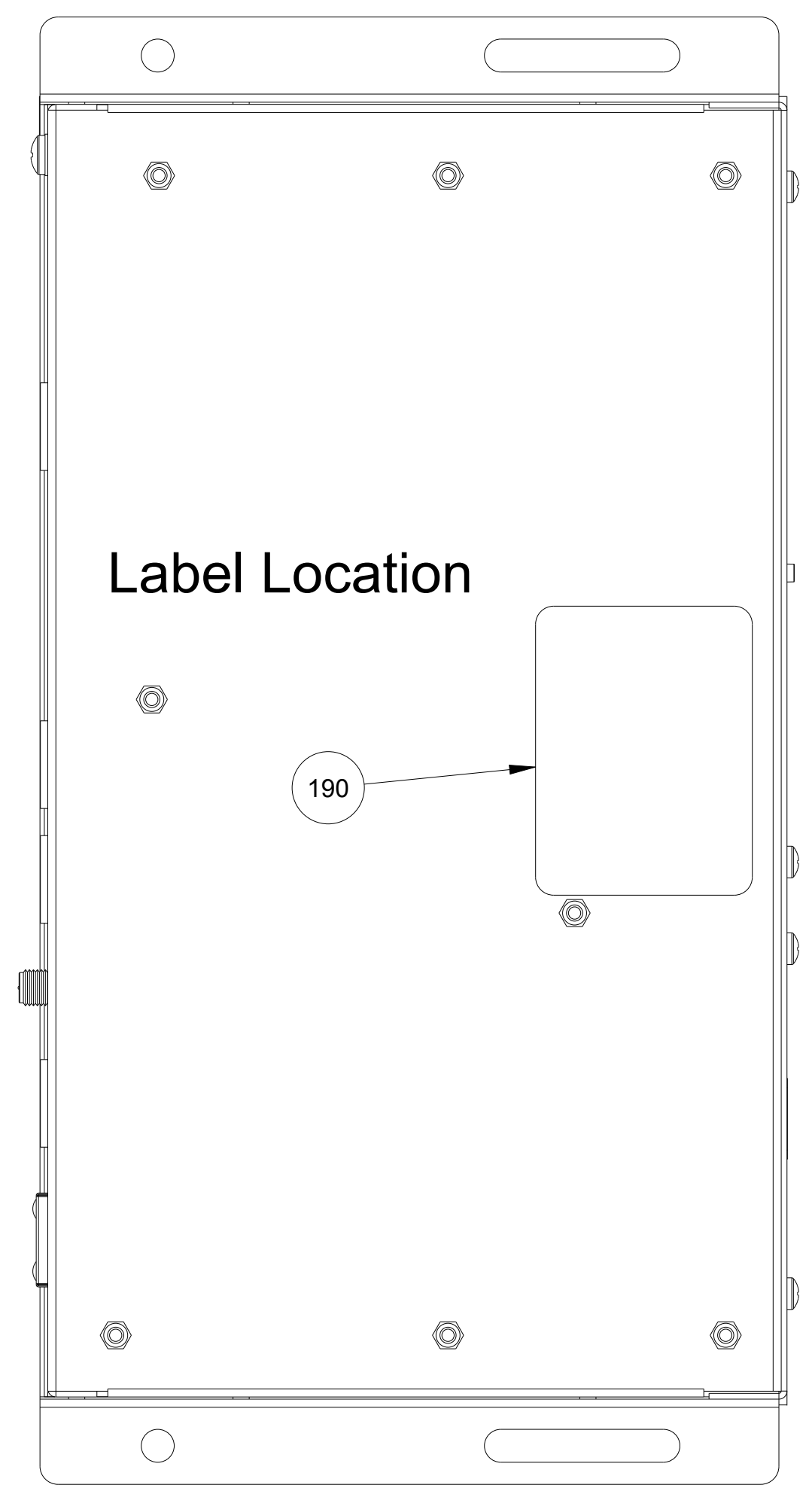
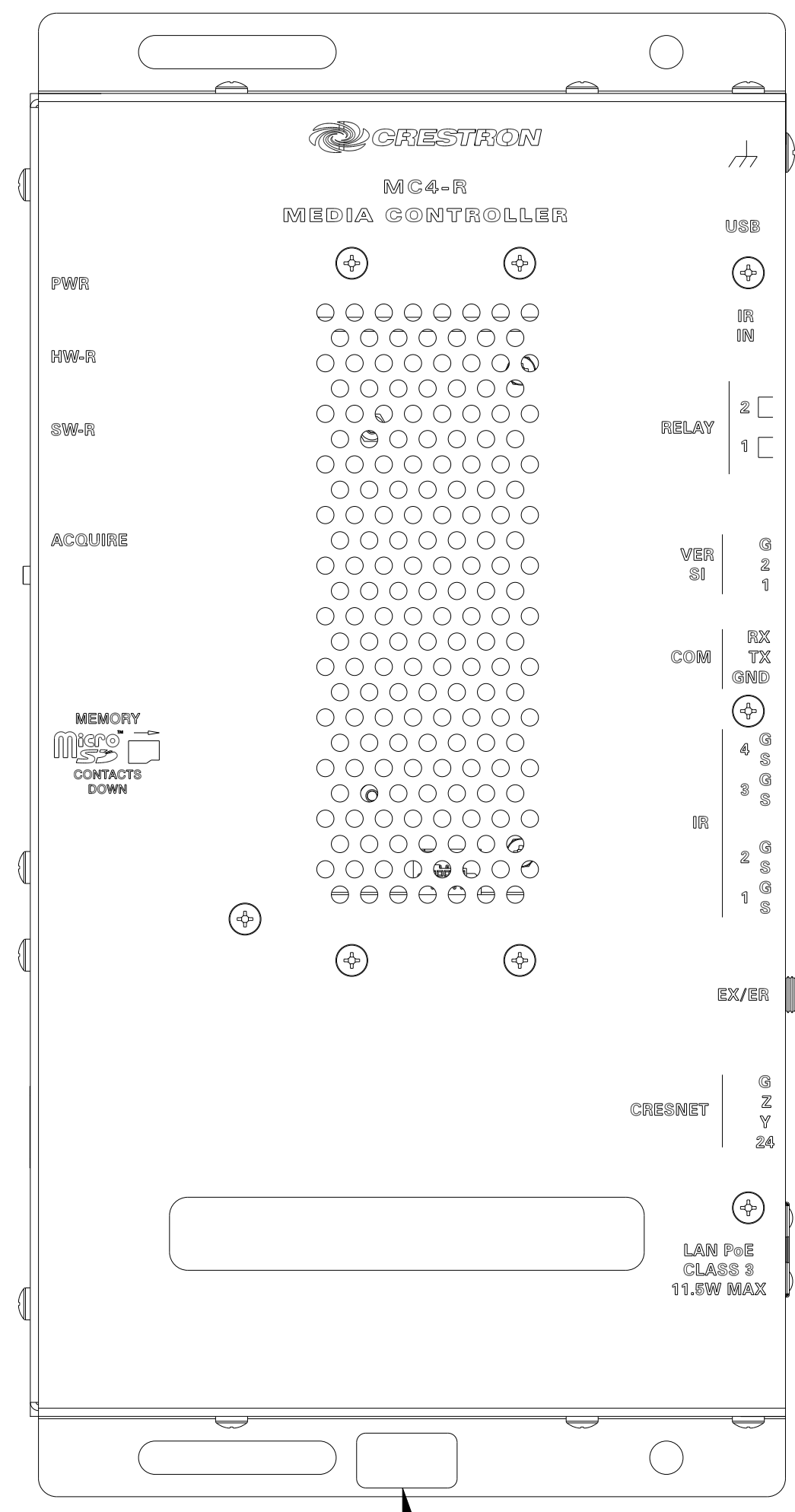
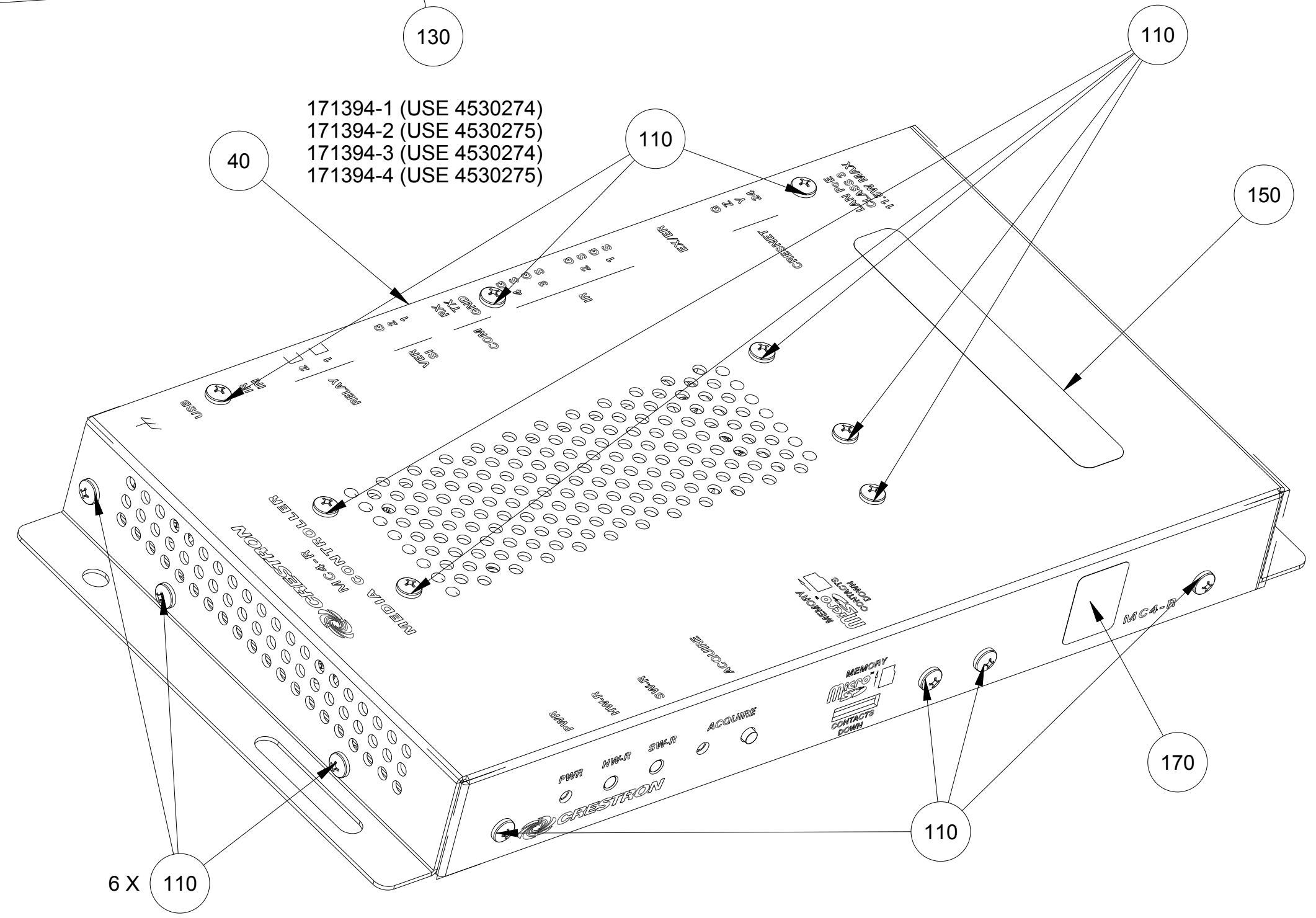
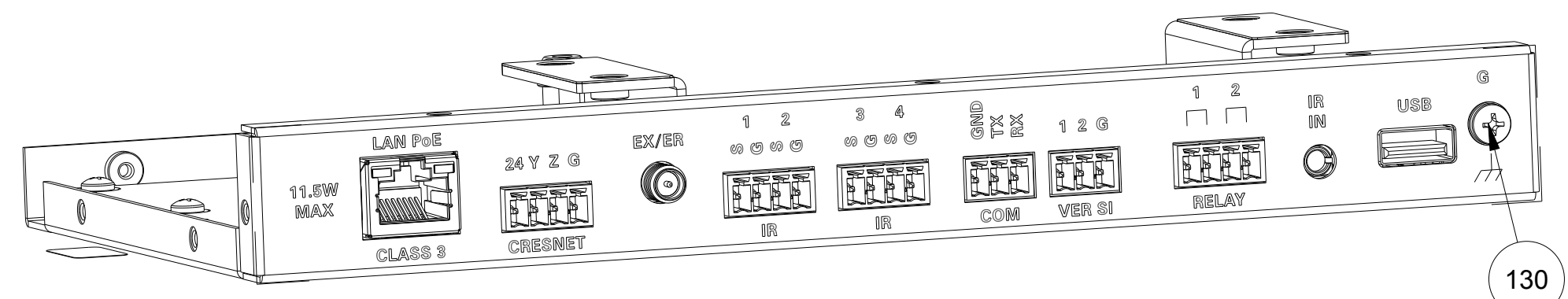
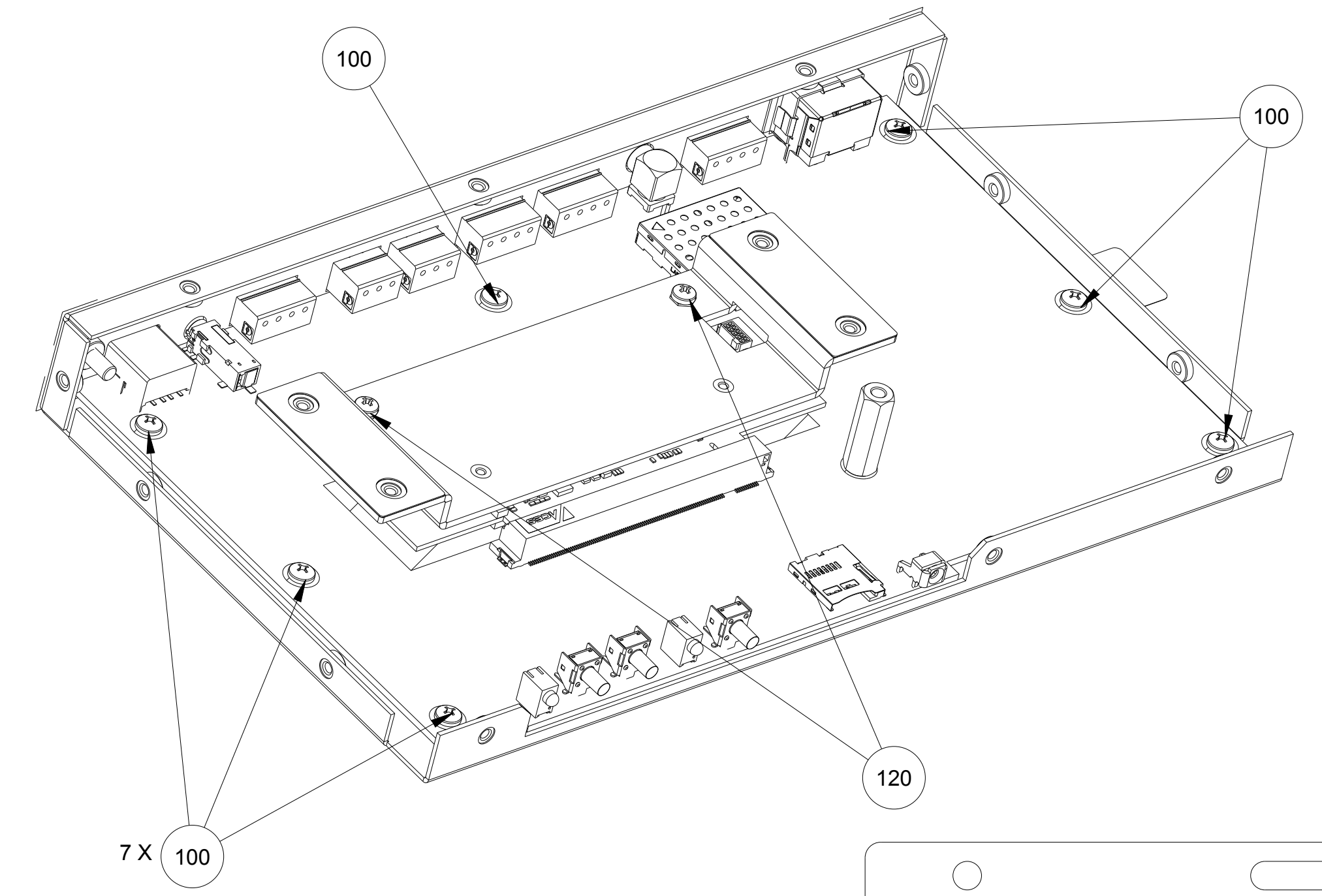
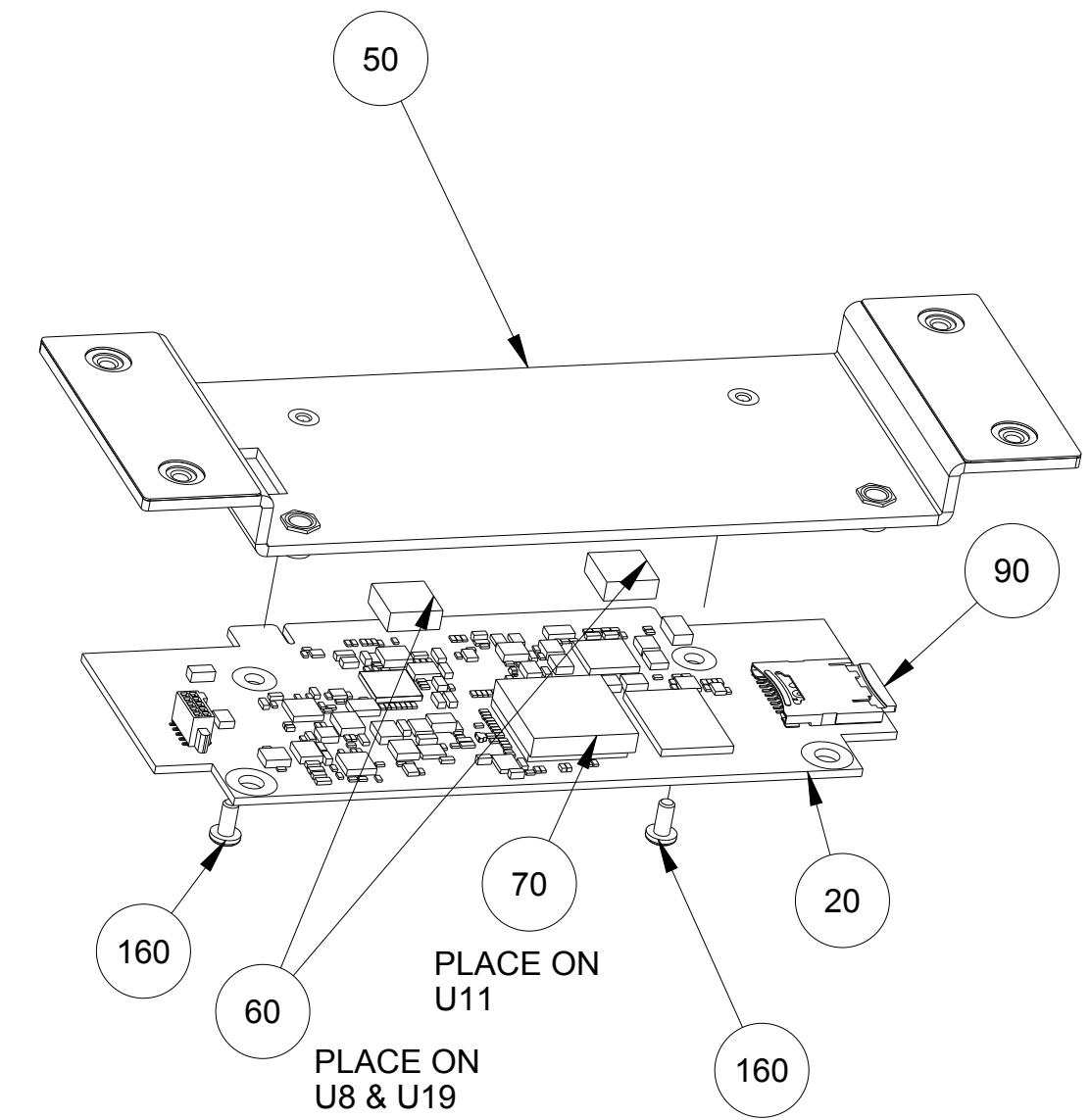
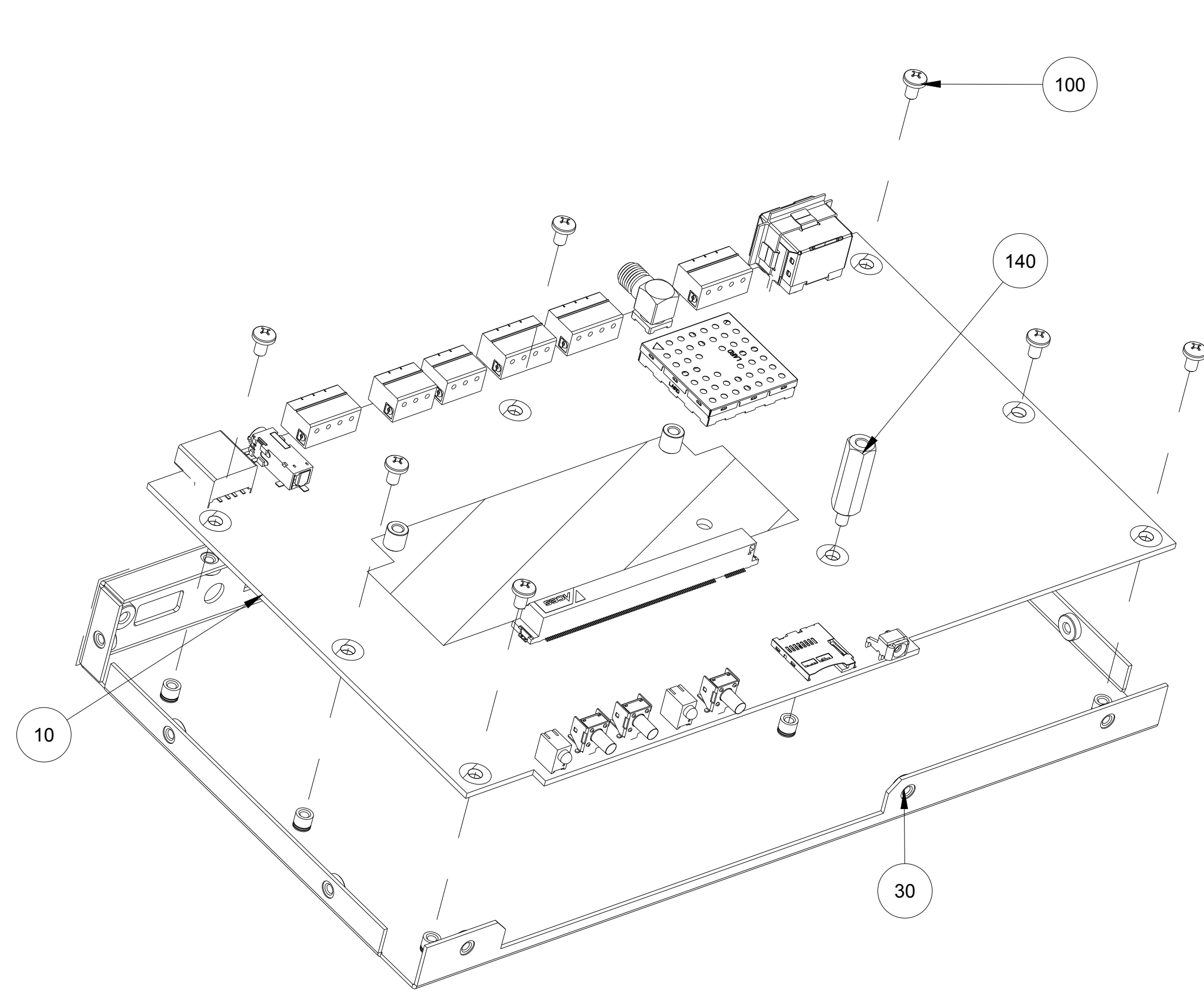


REVISIONS				
NAME	REV	DESCRIPTION	DATE	APPROVED
BCM	A	ORIGINAL ISSUE PER 2424	8/10/19	
BCM	B	ADDED #170	10/29/19	GS
BCM	C	ECN 21195	12/9/19	GS



THIS DRAWING IS THE EXCLUSIVE PROPERTY OF CRESTRON ELECTRONICS, INC. DISCLOSURE OR REPRODUCTION IN WHOLE OR IN PART, WITHOUT PRIOR WRITTEN PERMISSION, IS PROHIBITED EXCEPT FOR THE MANUFACTURE OF THE ARTICLES FOR CRESTRON UNLESS OTHERWISE SPECIFIED.
 TOLERANCES ARE:
 ALL DIMENSIONS ARE IN INCHES
 FRACTIONS 2/164 ANGLES ±1/2°
 DECIMALS X2-1 XXX: 01 XXX: 005
 ALL PARTS & PROCESSES MUST BE RoHS COMPLIANT
 DEBURR AND BREAK ALL SHARP EDGES



ASSY. MAIN. MEDIA ROOM CONTROLLER 3 SERIES

DESIGN BY	NAME	DATE	SIZE	PRINT NUMBER	REV
6510432	MC4	02/16/18			
6510226	MC4-R	8/10/19	D	171394	C
DESIGNED BY	BCM	8/10/19	SIZE	171394	REV
CHECKED BY	DP	8/20/19	D	171394	C
APPROVED BY	GS	9/20/19	SCALE: 1:1	FILE: 171394	SHEET 1 OF 1