

Mica 2.4 GHz SMD Antenna

Part No. 3030A5645

Product Specification

1 Features

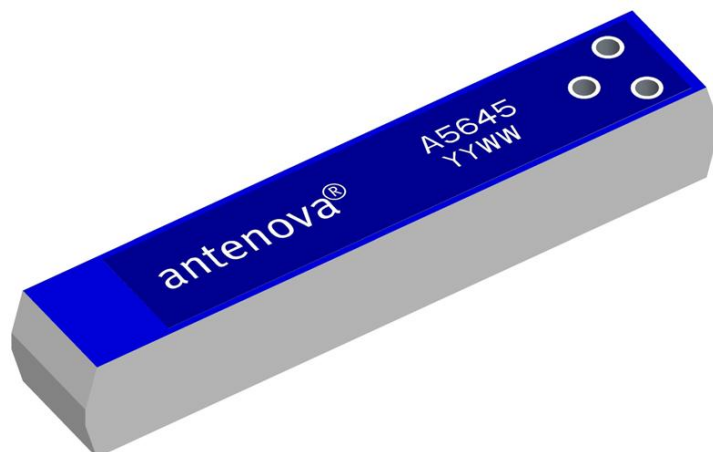
- Designed for 2.4 GHz applications: Bluetooth[®], Wi-Fi[®] (802.11b/g), ZigBee[®], etc.
- Easy to integrate
- Designed for use with the ground plane extended beneath the antenna
- High efficiency
- Light weight
- Intended for SMD mounting
- Supplied in tape on reel

2 Description

Mica is intended for use with all 2.4 GHz applications. The antenna uses a ground plane in order to radiate efficiently and the ground plane must extend underneath the antenna itself.

3 Applications

- Mobile phones
- PDAs
- PNDs
- Headsets
- PMPs / MP3s
- Laptops
- PC-Cards
- Sensors
- Automotive



4 Part number

Mica: 3030A5645-01



5 General data

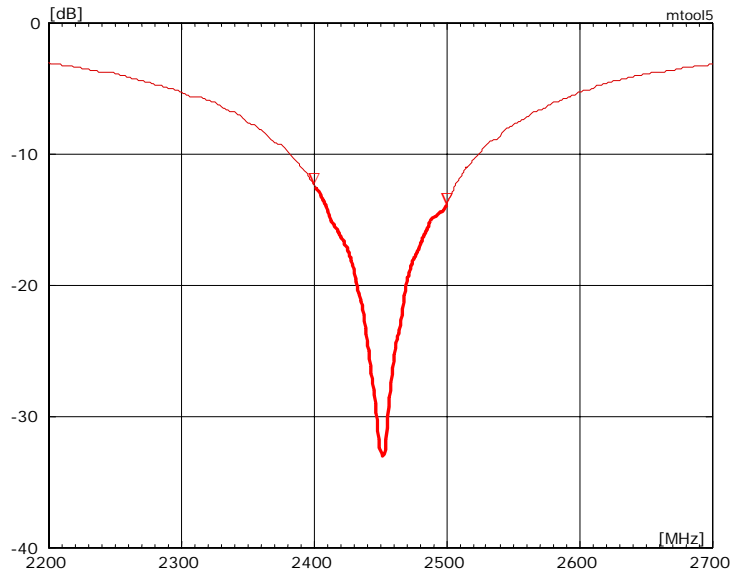
| | |
|-------------------------|-----------------------|
| Product name | Mica 2.4 GHz |
| Part Number | 3030A5645-01 |
| Frequency | 2.4 – 2.5 GHz |
| Polarization | Linear |
| Operating temperature | -40 °C to +85 °C |
| Impedance with matching | 50 Ω |
| Weight | 0.5 g |
| Antenna type | SMD |
| Dimensions | 20.5 x 3.6 x 3.3 [mm] |

6 Electrical characteristics

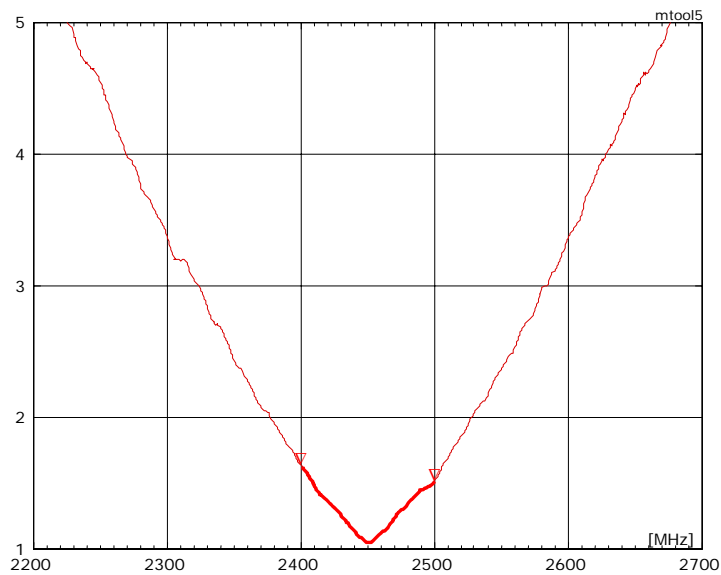
| | Typical performance | Conditions |
|---------------------|---------------------|---|
| Peak gain | 1.8 dBi | All data measured on Antenova's reference board, part number A5660 Data given for the 2.4 – 2.5 GHz frequency range |
| Average gain | -1.9 dBi | |
| Average efficiency | 65% | |
| Maximum Return Loss | -11 dB | |
| Maximum VSWR | 1.8:1 | |

7 Electrical performance

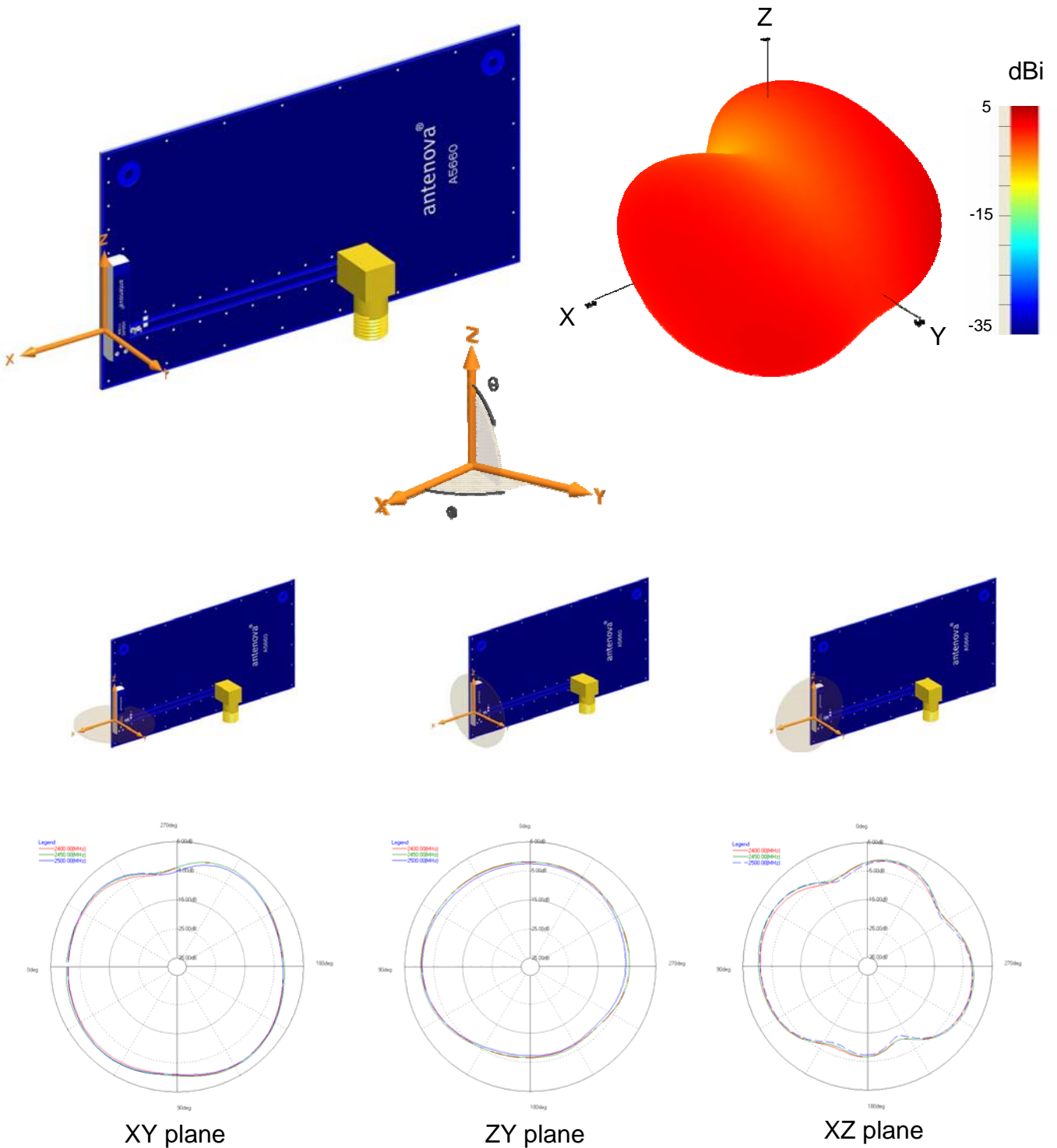
7-1 Return Loss



7-2 VSWR

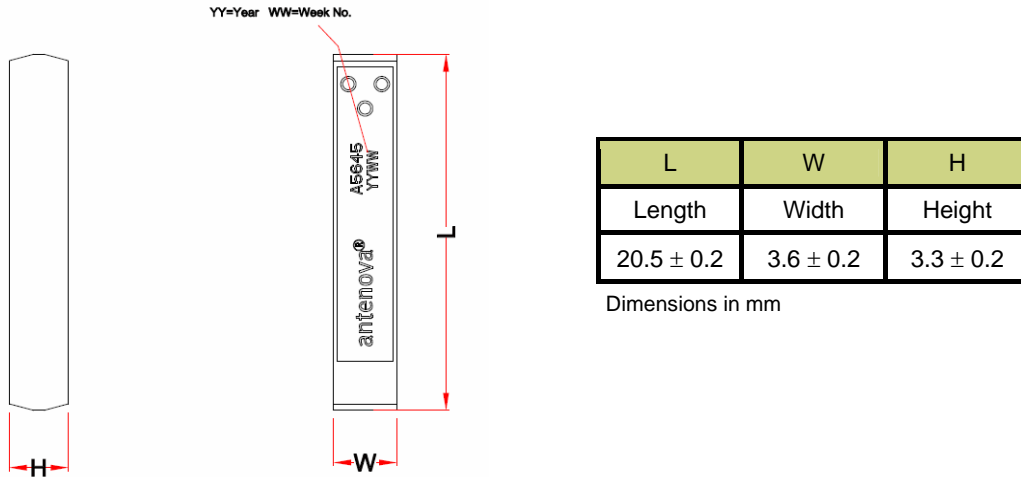


7-3 Antenna patterns



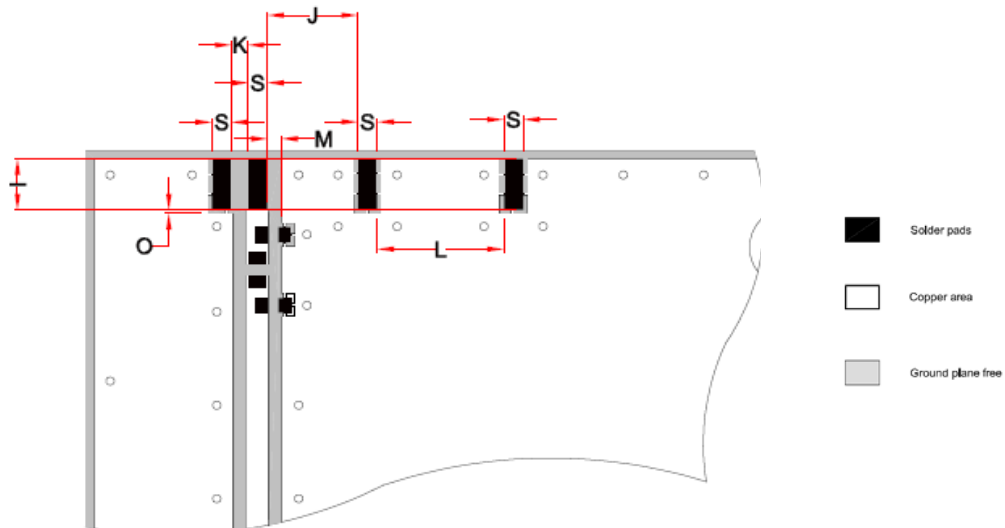
Patterns show combined polarisations
measured on reference board A5660

8 Antenna dimensions



9 Antenna footprint

Mica (Part No: 3030A5645-01)



CAD files of the antenna footprint are available from Antenova on request.
Please contact info@antenva.com for further details.

| I | S | K | J | L | M | O |
|---------------|---------------|---------------|---------------|---------------|--------------------|---------------|
| 3.2 ± 0.1 | 1.2 ± 0.1 | 1.0 ± 0.1 | 5.5 ± 0.1 | 7.7 ± 0.1 | $\geq 0.4 \pm 0.1$ | 0.2 ± 0.1 |

Dimensions in mm

10 Electrical interface

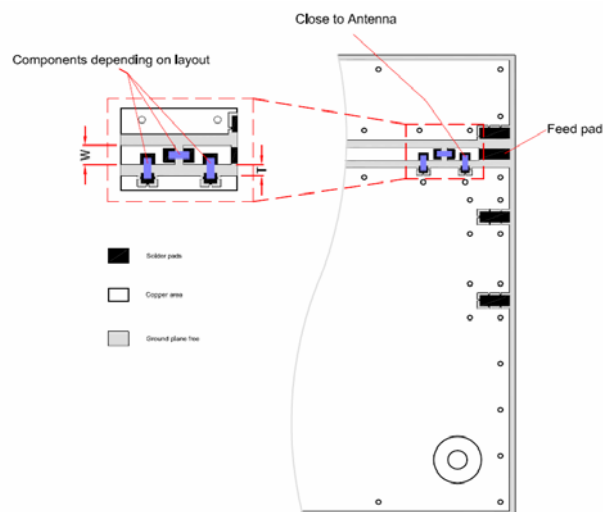
10-1 Transmission lines

- All transmission lines should be designed to have a characteristic impedance of 50 Ω
- The length of the transmission lines should be kept to a minimum
- Any other parts of the RF system like transceivers, power amplifiers, etc, should also be designed to have an impedance of 50 Ω

Once the material for the PCB has been chosen (PCB thickness and dielectric constant), a coplanar transmission line can easily be designed using any of the commercial software packages for transmission line design. For the chosen PCB thickness, copper thickness and substrate dielectric constant, the program will calculate the appropriate transmission line width and gaps on either side of the track so the characteristic impedance of the coplanar transmission line is 50 Ω .

10-2 Matching circuit

The antenna requires a matching circuit that must be optimized for each customer's product. The matching circuit will require up to three components and the following pad layout should be designed into the device so the correct circuit can be installed:



Antenna feed pad indicated. All other pads should be connected to ground.

In addition to the matching circuit, a separate DC blocking capacitor will also be required between the radio and the antenna matching circuit.

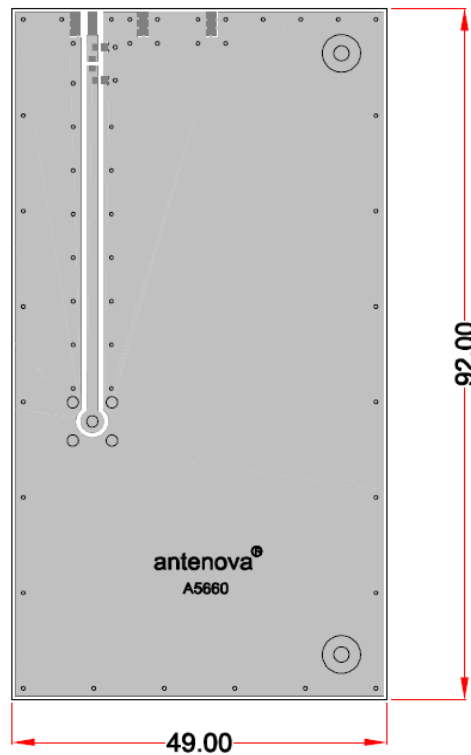
Note: The component values for the matching circuit will vary depending on the size of the PCB and surrounding components. The impedance of the antenna should be measured before selecting suitable matching components. Antenova offers this service on request. Contact info@antenova.com for further information.

10-3 Antenna placement

Antenova strongly recommends placing the antenna near the edge of the board. Maximum antenna performance is achieved by placing the antenna towards one of the corners of the PCB and with the feed point of the antenna as close to same corner of the PCB as possible.

10-4 Reference board

The reference board has been designed for evaluation purposes of Mica 2.4 GHz and it includes a SMA female connector



Dimensions in mm

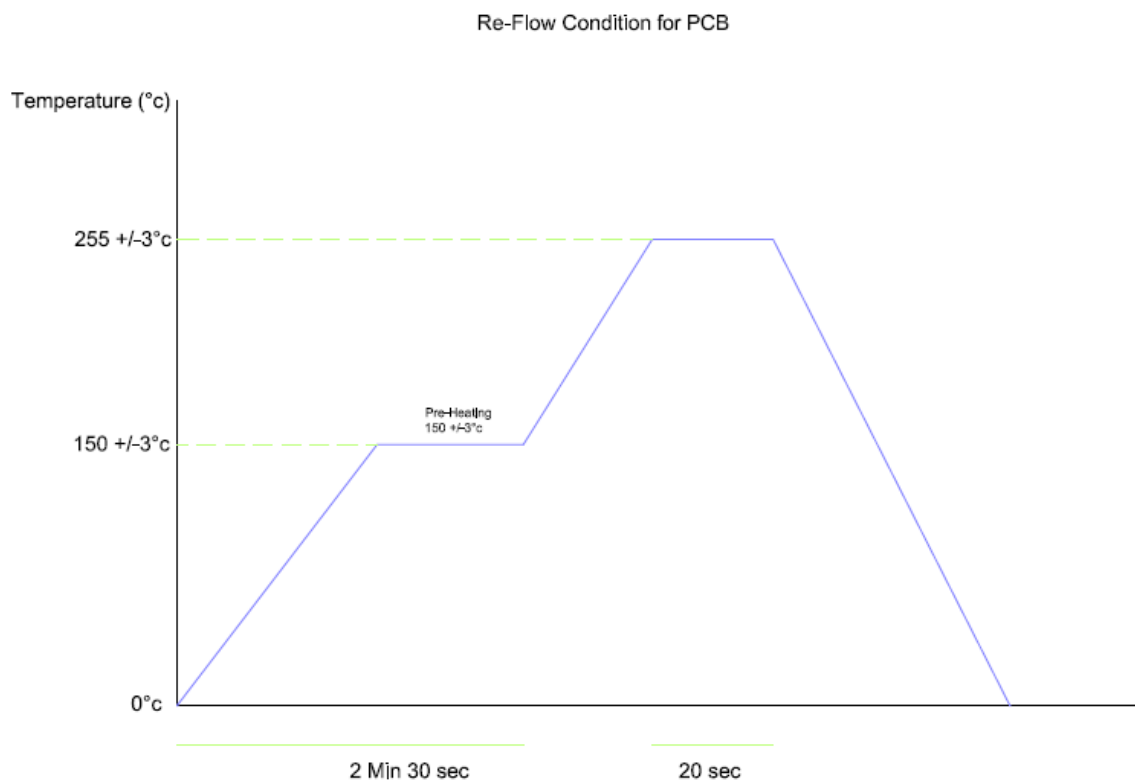
To order a reference board contact info@antenova.com

11 Soldering

This antenna is suitable for lead free soldering.

The reflow profile should be adjusted to suit the device, oven and solder paste, while observing the following conditions:

- The maximum temperature should not exceed 240 °C
- However for lead free soldering, a maximum temperature of 255 °C for no more than 20 seconds is permitted.
- The antenna should not be exposed to temperatures exceeding 120 °C more than 3 times during the soldering process.



12 Hazardous material regulation conformance

The antenna has been tested to conform to RoHS requirements. A certificate of conformance is available from Antenova's website.

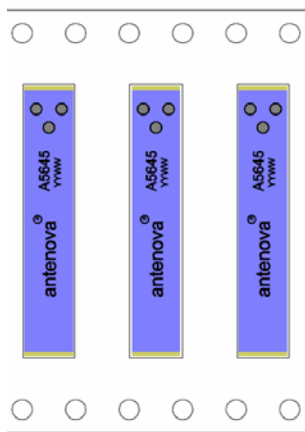
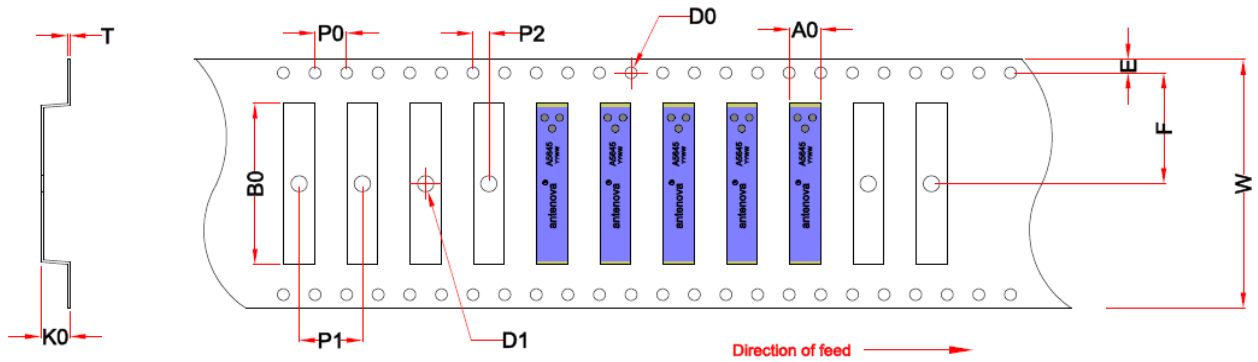
13 Packaging

13-1 Optimal storage conditions for packaged reels

| | |
|----------------------|---|
| Temperature | -10°C to 40°C |
| Humidity | Less than 75% RH |
| Shelf Life | 18 Months |
| Storage place | Away from corrosive gas and direct sunlight |
| Packaging | Reels should be stored in unopened sealed manufacturer's plastic packaging. |

Note: Storage of open reels of antennas is not recommended due to possible oxidization of pads on antennas. If short term storage is necessary, then it is highly recommended that the bag containing the antenna reel is re-sealed and stored in like storage conditions as in above table.

13-2 Tape characteristics

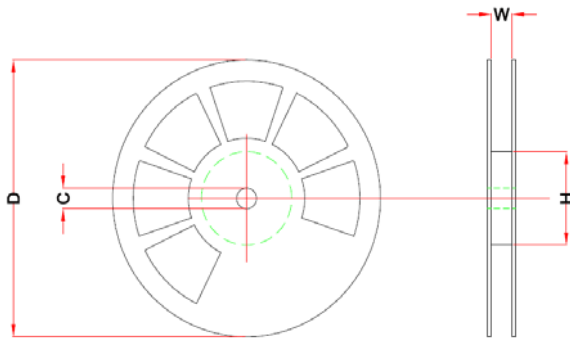


| W | F | E | P0 | P1 | P2 | A0 | B0 | K0 | T | D0 | D1 |
|--------------|----------------|----------------|-------------|-------------|-------------|---------------|-----------------|---------------|----------------|---------|---------|
| 32 ± 0.3 | 14.2 ± 0.1 | 1.75 ± 0.1 | 4 ± 0.1 | 8 ± 0.1 | 2 ± 0.1 | 3.9 ± 0.1 | 20.75 ± 0.1 | 3.7 ± 0.1 | 0.3 ± 0.05 | Min 1.5 | Min 1.5 |

Dimensions in mm

| Quantity | Leading Space | Trailing Space |
|-----------------|--------------------------|--------------------------|
| 2000 pcs / reel | 50 blank antenna holders | 37 blank antenna holders |

13-3 Reel dimensions



| Width (W) | Reel Diameter (D) | Hub Diameter (H) | Shaft Diameter (C) |
|-----------|-------------------|------------------|--------------------|
| 32 mm | 330 ± 2.0 mm | 100 mm | 13.0 ± 0.5 mm |

13-4 Box dimensions

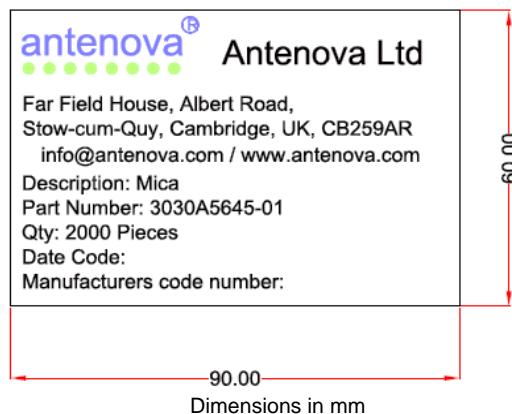


| Width W | Breadth B | Thickness H |
|---------|-----------|-------------|
| 345 mm | 345 mm | 45 mm |

13-5 Bag properties

Reels are supplied in protective plastic packaging

13-6 Reel label information





www.antenova.com

Corporate Headquarters

Antenova Ltd.
Far Field House
Albert Road
Stow-cum-Quy
Cambridge
CB25 9AR

Tel: +44 1223 810600
Fax: +44 1223 810650
Email: info@antenova.com

North America Headquarters

Antenova Ltd.
Rogers Business Park
2541 Technology Drive Suite 403
Elgin, IL 60124

Tel: +1 (847) 551 9710
Fax: +1 (847) 551 9719
Email: info@antenova.com

Asia Headquarters

Antenova Asia Ltd.
4F, No. 324, Sec. 1, Nei-Hu Road
Nei-Hu District
Taipei 11493
Taiwan, ROC

Tel: +886 (0) 2 8797 8630
Fax: +886 (0) 2 8797 6890
Email: info@antenova.com

Copyright® 2008 Antenova Ltd. All Rights Reserved. Antenova® and gigaNOVA® are trademarks of Antenova Ltd. Any other names and/or trademarks belong to their respective companies.

The materials provided herein are believed to be reliable and correct at the time of print. Antenova does not warrant the accuracy or completeness of the information, text, graphics or other items contained within these information. Antenova further assumes no responsibility for the use of this information, and all such information shall be entirely at the user's risk.



Certificate No: 4598

Integrated Antenna and RF Solutions