

Crestron CWD07234
Two-Way RF Transceiver Module

Operations Guide



Regulatory Compliance

Federal Communications Commission (FCC) Compliance Statement

CAUTION: Changes or modifications not expressly approved by the manufacturer responsible for compliance could void the user's authority to operate the equipment.

NOTE: This equipment has been tested and found to comply with the limits for a Class B digital device, pursuant to part 15 of the FCC Rules. These limits are designed to provide reasonable protection against harmful interference in a residential installation. This equipment generates, uses and can radiate radio frequency energy and, if not installed and used in accordance with the instructions, may cause harmful interference to radio communications. However, there is no guarantee that interference will not occur in a particular installation. If this equipment does cause harmful interference to radio or television reception, which can be determined by turning the equipment off and on, the user is encouraged to try to correct the interference by one or more of the following measures:

- Reorient or relocate the receiving antenna
 - Increase the separation between the equipment and receiver
 - Connect the equipment into an outlet on a circuit different from that to which the receiver is connected
 - Consult the dealer or an experienced radio/TV technician for help
-

Industry Canada (IC) Compliance Statement

This device complies with Industry Canada license-exempt RSS standard(s). Operation is subject to the following two conditions: (1) this device may not cause interference and (2) this device must accept any interference, including interference that may cause undesired operation of the device.

Under Industry Canada regulations, this radio transmitter may only operate using an antenna of a type and maximum (or lesser) gain approved for the transmitter by Industry Canada. To reduce potential radio interference to other users, the antenna type and its gain should be so chosen that the equivalent isotropically radiated power (e.i.r.p.) is not more than that necessary for successful communication.

This radio transmitter, IC: 5683C-CWD07234, has been approved by Industry Canada to operate with the antenna types listed below with the maximum permissible gain and required antenna impedance for each antenna type indicated. Antenna types not included in this list, having a gain greater than the maximum gain indicated for that type, are strictly prohibited for use with this device.

Antenna Type: Mica (A5645) SMD, Maximum permissible antenna gain: 1.8 dBi, Impedance: 50 Ohms

Antenna Type: Rufa (A5887) SMD, Maximum permissible antenna gain: 2.1 dBi, Impedance: 50 Ohms

Industrie Canada (IC) Déclaration de conformité

Le présent appareil est conforme aux CNR d'Industrie Canada applicables aux appareils radio exempts de licence. L'exploitation est autorisée aux deux conditions suivantes : (1) l'appareil ne doit pas produire de brouillage, et (2) l'utilisateur de l'appareil doit accepter tout brouillage radioélectrique subi, même si le brouillage est susceptible d'en compromettre le fonctionnement.

Conformément à la réglementation d'Industrie Canada, le présent émetteur radio peut fonctionner avec une antenne d'un type et d'un gain maximal (ou inférieur) approuvé pour l'émetteur par Industrie Canada. Dans le but de réduire les risques de brouillage radioélectrique à l'intention des autres utilisateurs, il faut choisir le type d'antenne et son gain de sorte que la puissance isotrope rayonnée équivalente (p.i.r.e.) ne dépasse pas l'intensité nécessaire à l'établissement d'une communication satisfaisante.

Le présent émetteur radio, IC: 5683C-CWD07234, a été approuvé par Industrie Canada pour fonctionner avec les types d'antenne énumérés ci-dessous et ayant un gain admissible maximal et l'impédance requise pour chaque type d'antenne. Les types d'antenne non inclus dans cette liste, ou dont le gain est supérieur au gain maximal indiqué, sont strictement interdits pour l'exploitation de l'émetteur.

Type d'antenne: Mica (A5645) SMD, Gain admissible maximal: 1.8 dBi, Impédance: 50 Ohms

Type d'antenne: Rufa (A5887) SMD, Gain admissible maximal: 2.1 dBi, Impédance: 50 Ohms

To satisfy RF exposure requirements, this device and its antenna must operate with a separation distance of at least 20 centimeters from all persons and must not be collocated or operating in conjunction with any other antenna or transmitter.

Contents

| | |
|--|----------|
| Two-Way RF Transceiver Module: CWD07234 | 1 |
| Functions and Features | 1 |
| Specifications..... | 2 |
| Physical Description | 3 |
| Ports..... | 4 |
| Power/I-O | 5 |
| Labeling Requirements..... | 5 |
| Documentation..... | 5 |

Two-Way RF Transceiver Module: CWD07234

Functions and Features

The CWD07234 (hereafter referred to as “module”) with an external SMD antenna, or an integrated SMD antenna, is a two-way radio frequency (RF) module that utilizes the 2.4 GHz frequency band to communicate with other devices.

The module operates according to the IEEE 802.15.4 specification and can be configured to minimize the possibility of interference with other devices.

The module receives RF signals from one or more Crestron devices and can transmit these signals over the air or over a cable run for further processing (depending on the application).

Functional Summary

- 2.4 GHz frequency band, IEEE 802.15.4 specification
- Range from 3 feet to 550 ft.
- Operates on one of sixteen available channels to establish optimal signal quality

Specifications

The table below is a summary of specifications for the CWD07234.

Specifications of the CWD07234

| SPECIFICATION | DETAILS |
|---|--|
| Power Requirements | 1.35 W (5.0 Vdc @ 0.27 A) |
| Operating Frequency | 2400 MHz to 2483.5 MHz (802.15.4 compliant) |
| Operating Ranges* | |
| Minimum Distance | 3 ft |
| Maximum Distance Indoors (without repeater device) | 550 ft |
| Available Channels | 16 (numbered 11 through 26 per 802.15.4) |
| Internal Antenna | Gain: 1.8 dBi max. Average Gain: -1.9 dBi Type: Mica (A5645) Antenna Frequency: 2.4 GHz to 2.5 GHz Connector Type: SMD Gain: 2.1 dBi max. |
| External Antenna | Gain: 2.1 dBi max. Average Gain: -1.2 dBi Type: Rufa (A5645) Antenna Frequency: 2.4 GHz to 2.5 GHz Connector Type: SMD |
| Serial Communications | SPI, 3.0V Nominal |
| Dimensions | Width: 1.30 in (3.30 cm) Height: 1.97 in (5.00 cm) Depth: 0.26 in (0.66 cm) |

* The location and orientation of the module are important factors in the RF performance. With the unit located outside of any metal enclosures, the antenna is adjusted to achieve the best range. The range is dependent on its placement and the building in which it is used. The construction of the building, obstructions, and RF interference from other devices are factors determining the effective range of the unit. To prevent unit-to-unit RF interference, multiple modules operating at the same frequencies should not be installed within 3-5 feet of each other.

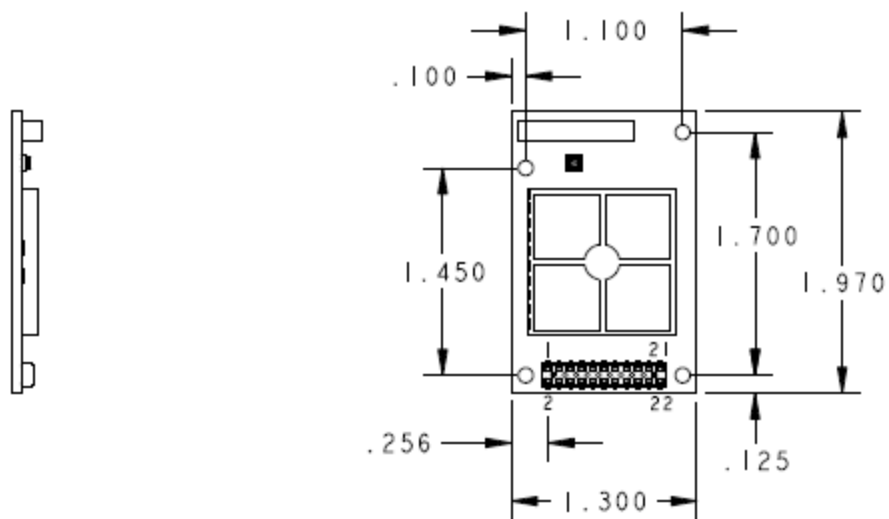
Physical Description

The module consists of various components on a printed circuit board (PCB). There are two build options:

1. An onboard antenna (refer to CWD07234-1)
2. A detached antenna (refers to CWD07234-2)

The detached antenna connects to the PCB through a 3 inch cable to a U.FL connector.

Physical View of CWD07234-1



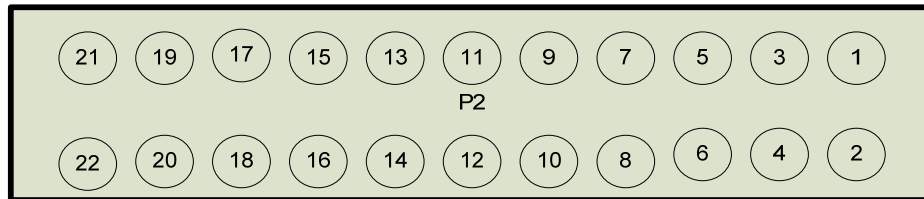
Physical View of CWD07234-2



Ports

The module contains an 11-pin double row connector. Refer to the diagram that follows.

CWD07234 Power / I-O Pin Configuration



Power/I-O

The 11-pin header double row connector provides power to the module as well as the communications between the module and wired devices. Refer to the following table for pin assignments of the module interface connector.

Power/I-O Pinout Signals

| Pin # | Signal | Pin # | Signal |
|-------|------------|-------|--------------------|
| 1 | AGND | 2 | JTCK |
| 3 | RESET_N | 4 | WAKE_N |
| 5 | JTRS_N | 6 | HOST_INT_N/PB2_RXD |
| 7 | JTDI | 8 | PB1/TXD |
| 9 | JTDO | 10 | PA6 |
| 11 | JTMS | 12 | +VIN |
| 13 | PA7 | 14 | PA5/PT1_DATA |
| 15 | PA4/PT1_EN | 16 | PB3 |
| 17 | SPI_MISO | 18 | EE_CS_N |
| 19 | SPI_SSO_N | 20 | SPI_MOSI |
| 21 | SPI_CLK | 22 | AGND |

Labeling Requirements for the Host Device

The host device shall be properly labeled to identify the modules within the host device.

The FCC and Industry Canada certification label of a module shall be clearly visible at all times when installed in the host device, otherwise the host device must be labeled to display the FCC and Industry Canada certification numbers of the module, preceded by the words “Contains Transmitter Module”, or the word “Contains”, or similar wording expressing the same meaning as follows:

Contains FCC ID: EROCWD07234

Contains IC: 5683C-CWD07234

Documentation

The OEM integrator has to be aware not to provide information to the end user regarding how to install or remove this RF module in the users manual of the end product.

The users manual for OEM integrators must include the following information in a prominent location

“IMPORTANT NOTE: To comply with FCC RF exposure compliance requirements, the antenna used for this transmitter must be installed to provide a separation distance of at least 20 cm from all persons and must not be co-located or operating in conjunction with any other antenna or transmitter.”



Crestron Electronics, Inc.
15 Volvo Drive Rockleigh, NJ 07647
Tel: 888.CRESTRON
Fax: 201.767.7576
www.crestron.com

Operations Guide – DOC. 7520A

03.13
Specifications subject to
change without notice.