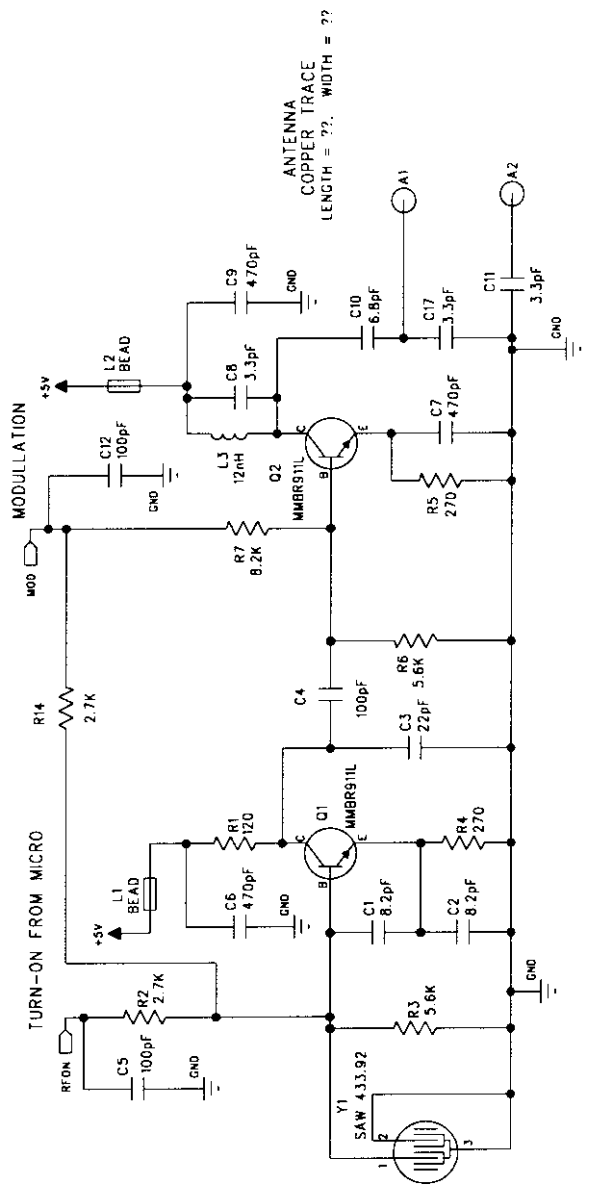


## Exhibit 4. Schematic of transmitter

6 5 4 3 2 1

**REVISIONS**

ZONE	REV	DESCRIPTION	DATE	APPROVED



PCB# 05614-BB

**CRESTRON**

101 BROADWAY, GRESSKILL, N.J. 07626  
 Electronics Inc.  
 (201) 894-0660 FAX (201) 894-1192

NAME	DATE
T.M.	6/10/97

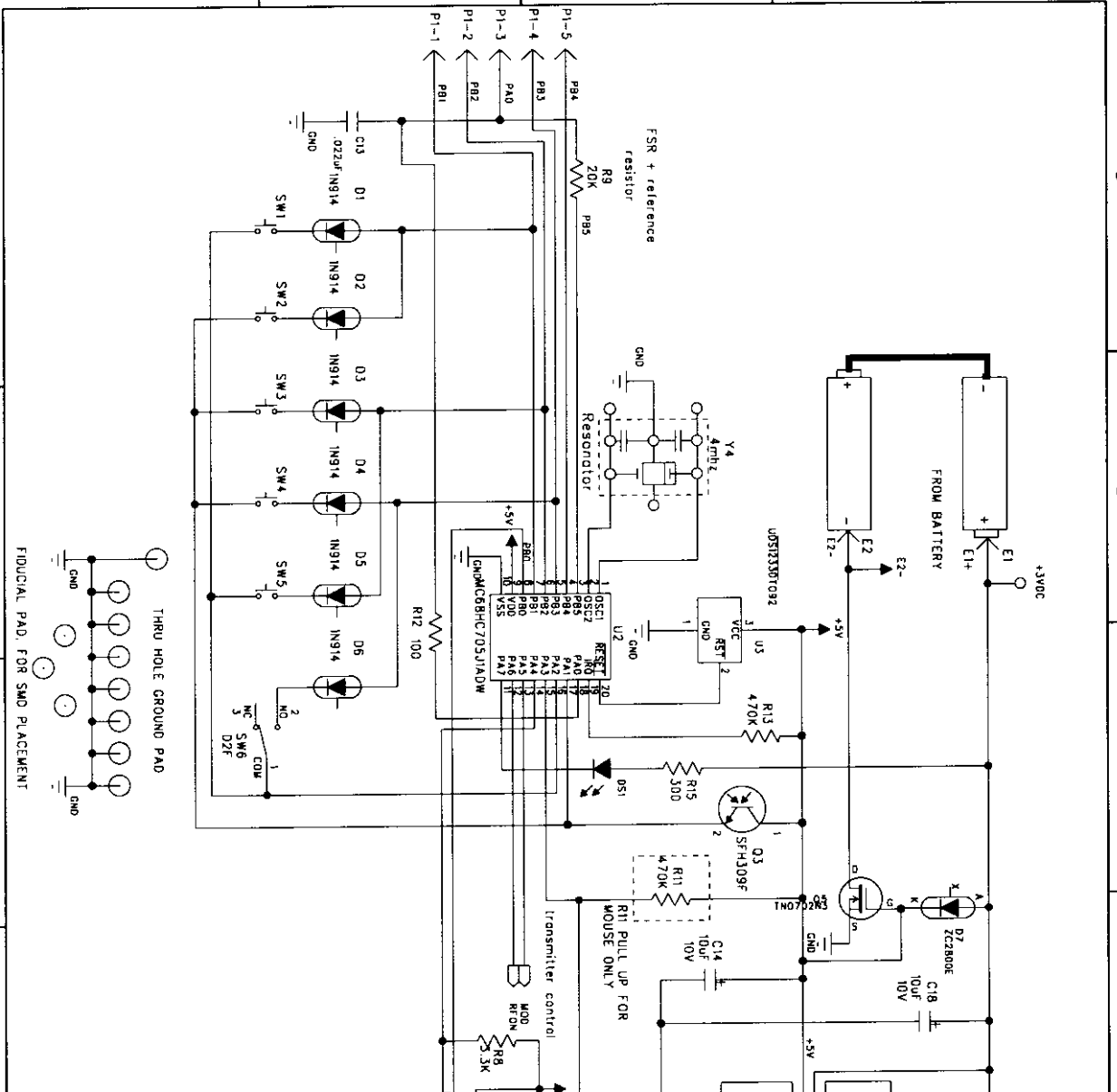
**SCHEMATIC -**  
**ZA11047 (CN-WML) ZA11059 (CN-WM)**  
 PCB RF TRANSMITTER  
 MOUSE/LASER POINTER

CHECKED	APPROVED	ISSUED

SIZE	PRINT NUMBER	REV
B	10923	1

3 4 5 6 2 1

REVISIONS				
ZONE	REV	DESCRIPTION	DATE	APPROVED



PCB# 05614-BB

**CRESTRON**  
Electronics Inc.  
101 BROADWAY, CRESSKILL, N.J. 07626  
(201) 894-0660 FAX (201) 894-1192

**SCHEMATIC-**  
ZAI1047 (CN-WML) ZAI1059 (CN-WM)  
PCB RF TRANSMITTER  
MOUSE/LASER POINTER  
PRINT NUMBER  
10923 SH1 1 OF 2

DATE	6/10/97
CHECKED BY	T.M.
APPROVED	
ISSUED	

THRU HOLE GROUND PAD

FIDUCIAL PAD FOR SMD PLACEMENT