

## **U.S. FCC Part 15 Regulatory Information**

This device complies with part 15 of the FCC Rules. Operation is subject to the following two conditions:(1) this device may not cause harmful interference, and (2) this device must accept any interference received, including interference that may cause undesired operation.

Any Changes or modifications not expressly approved by the party responsible for compliance could void the user's authority to operate the equipment.

Note: This equipment has been tested and found to comply with the limits for a Class B digital device, pursuant to part 15 of the FCC Rules. These limits are designed to provide reasonable protection against harmful interference in a residential installation. This equipment generates, uses and can radiate radio frequency energy and, if not installed and used in accordance with the instructions, may cause harmful interference to radio communications. However, there is no guarantee that interference will not occur in a particular installation. If this equipment does cause harmful interference to radio or television reception, which can be determined by turning the equipment off and on, the user is encouraged to try to correct the interference by one or more of the following measures:

- Reorient or relocate the receiving antenna.
- Increase the separation between the equipment and receiver.
- Connect the equipment into an outlet on a circuit different from that to which the receiver is connected.
- Consult the dealer or an experienced radio/TV technician for help.

### **FCC Radiation Exposure Statement:**

- This equipment complies with radiation exposure limits set forth for an uncontrolled environment. This equipment should be installed and operated with minimum distance 20cm between the radiator & your body.

This transmitter must not be co-located or operating in conjunction with any other antenna or transmitter.

## **Canada Regulatory Information**

### **Radio equipment**

Operation of 5150-5350 MHz is restricted to indoor use only.

This device contains licence-exempt transmitter(s)/receiver(s) that comply with Innovation, Science and Economic Development Canada's licence-exempt RSS(s). Operation is subject to the following two conditions:

- (1) This device may not cause interference.
- (2) This device must accept any interference, including interference that may cause undesired operation of the device.

Le fonctionnement de 5150-5350 MHz est limité à une utilisation en intérieur uniquement.

Le présent appareil est conforme aux CNR d'Innovation, Sciences et Développement économique Canada applicables aux appareils radio exempts de licence. L'exploitation est autorisée aux deux conditions suivantes :

- (1) l'appareil ne doit pas produire de brouillage, et
- (2) l'utilisateur de l'appareil doit accepter tout brouillage radioélectrique subi, même si le brouillage est susceptible d'en compromettre le fonctionnement.

The device is compliance with RF exposure guidelines, users can obtain Canadian information on RF exposure and compliance. The minimum distance from body to use the device is 20cm.

Le présent appareil est conforme Après examen de ce matériel aux conformité ou aux limites d'intensité de champ RF, les utilisateurs peuvent sur l'exposition aux radiofréquences et la conformité and compliance d'acquérir les informations correspondantes. La distance minimale du corps à utiliser le dispositif est de 20cm.

CAN ICES-3 (B)/NMB-3(B)

## EU Regulatory Information

Support Frequency Bands and Power:

WLAN 2412-2472 MHz < 17 dBm;

WLAN 5150-5250 MHz < 18 dBm;

WLAN 5250-5350 MHz / 5470-5725 MHz < 18 dBm;

WLAN 5725-5825 MHz < 14 dBm;



BE	BG	CZ	DK	DE	EE	IE	EL
ES	FR	HR	IT	CY	LV	LT	LU
HU	MT	NL	AT	PL	PT	RO	SI
SK	FI	SE	NO	IS	LI	CH	TR

In all EU member states, operation of 5150-5350 MHz is restricted to indoor use only.

The simplified EU declaration of conformity referred to in Article 10(9) shall be provided as follows:

Hereby, [CRESTRON ELECTRONICS, INC.] declares that the radio equipment type [M202018001] is in compliance with Directive 2014/53/EU.

The full text of the EU declaration of conformity is available at the following internet address: [www.crestron.com/docs/](http://www.crestron.com/docs/)

## AirMedia® Presentation Transmitter

The Crestron AM-TX3-100 and AM-TX3-100-I are USB dongles that enable the use of Miracast® projection technology on computers/laptops. Miracast® is built into the Microsoft® Windows® 10 operating system, so no software installation is necessary.

### NOTE:

The AM-TX3-100 and AM-TX3-100-I are functionally identical. The AM-TX3-100-I model is sold outside of the United States. In this document, the term "AM-TX3-100" denotes both versions of the product.



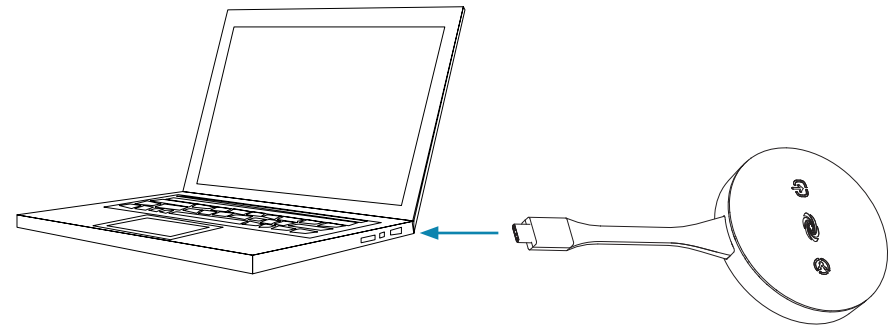
### In the Box

- 1 AM-TX3-100(-I)
- 1 USB cable Type-C



### Install the Device

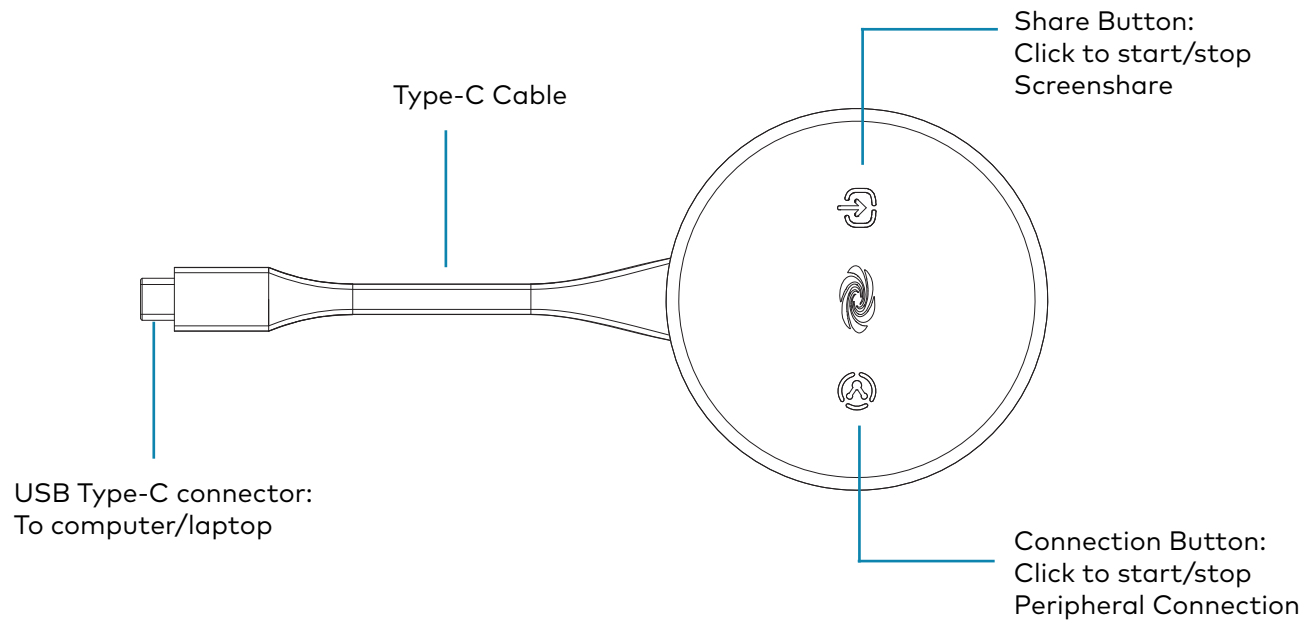
The AM-TX3-100 and AM-TX3-100-I can be connected to computer/laptop with USB Type-C port.



### NOTE:

The AM-TX3-100 and AM-TX3-100-I should not be shielded or covered when in operation. Please refer to Best Practices for: Installation and Setup of Crestron RF Products at [crestron.com/manuals](https://crestron.com/manuals) to avoid wireless interference when using the device

### Make Connections



### Operation

#### Connect to the Device

To connect to an AM-3100-WF(-I) or AM-3200-WF(-I) with a computer/PC device, do the following:

1. Press and hold Setup button (3 seconds) on AM-3x00 to start pairing mode.
2. Press and hold Screenshare button on the device to pair - the status LED will indicate Green that pairing has been successful.

#### **NOTE:**

More configuration can be accessed from the AM-3X00 Web UI.

#### Screensharing

Once connected AM3X00 with computer/PC, Click the Share Button once to Start/Stop presentation sharing.

**NOTE:** Double click the Share Button to pause the sharing.

#### Peripheral Connection

Click the Connection Button to Start/Stop Peripheral Connection.

(Peripheral connection means the webcam/mic which is connected to the AM-3X00 will be made available as a USB UVC device on the client)

## AirMedia® Presentation Transmitter



### Observe the LED indicators

Refer to the following table for information about the LED indicators on the device.

LED indicator	Color	Meaning
LED ring	White (breathing effect)	Unpaired: "Getting Ready" state (breathing effect for 5 second intervals)
	Red (dancing effect)	Pairing in progress.
	Green (pulse effect)	Paired successfully. (One interval of 5 seconds each).
	Green (alternative pulse effect between top/bottom and left/right portions)	Presenting request from AirMedia application.
	Light blue (build up effect)	Upgrade in progress.

LED indicator	Color	Meaning
Share button	Green	Paired successfully
	Red	Presentation in progress.
	Amber	Presentation paused.
	Green (pulse effect)	Presenting request from AirMedia application.
Connection button	Green	Paired successfully
	Red	Peripherals connected.

## AirMedia® Presentation Transmitter



### Important instructions

#### Important Safety Instructions

**WARNING:** When using this product, basic precautions should always be followed, including the following:

1. Read these instructions carefully.
2. All cautions and warnings should be followed.
3. The equipment should only be used at maximum 40°C (104°F) ambient temperature.
4. Opening the equipment could result in electrical shock and should only be done by qualified service personnel.
5. Protect equipment from humidity.
6. Do not insert foreign objects or liquids into the openings, this could cause a fire or electrical shock.
7. Do not use chemical detergents to clean our device, use a soft dry cloth.
8. To avoid damage from electrical peaks unplug the device when it is not in use.
9. If one of the following situations arise, equipment has to be checked by qualified service personnel:
  - Liquid has penetrated into the equipment.
  - Equipment has been exposed to humidity.
  - Equipment has been dropped and/or is damaged.
  - Equipment has obvious sign of breakage.
  - Equipment does not work well or you can not get it working according to user's manual.
10. Do not expose the equipment to water or place object filled with water on top of it.



### Instructions importantes

#### Instructions de sécurité importantes

**Les avertissements:** concernant l'utilisation de ce produit doivent toujours être fondés sur les précautions fondamentales, notamment:

1. Lisez attentivement ces notes.
2. Tous les avertissements et avertissements doivent être respectés.
3. L'équipement ne peut être utilisé qu'à une température ambiante maximale de 40°C (104°F).
4. L'ouverture de l'appareil peut provoquer un choc électrique qui ne peut être assuré que par un personnel d'entretien qualifié.
5. Empêcher l'humidité du dispositif.
6. Il est interdit d'introduire des objets étrangers ou liquides dans l'ouverture, faute de quoi cela pourrait provoquer un incendie ou un choc électrique.
7. Ne pas utiliser d'appareil de nettoyage chimique et utiliser un tissu sec souple.
8. Pour éviter les dommages de crête électrique, retirez la fiche d'alimentation lorsque le dispositif n'est pas utilisé.
9. Dans l'un des cas énoncés ci-dessous, le matériel doit être vérifié par un service qualifié:
  - Dispositif d'infiltration de liquide.
  - L'équipement est exposé à l'humidité.
  - Matériel tombé et/ou endommagé.
  - L'équipement a été endommagé.
  - Le matériel ne fonctionne pas correctement ou ne peut pas être utilisé conformément au Manuel de l'utilisateur.
10. L'équipement ne doit pas être exposé à l'eau ni être placé sur des objets remplis d'eau.