

Appendix: AirMedia Transmitters

AirMedia transmitters connect to personal devices to instantly share content with a paired Wi-Fi network capable AirMedia receiver. Up to eight transmitters can be paired to a single receiver. Information about pairing and configuring transmitters can be found in the [Transmitter Pairing](#) section of this product manual.

This appendix contains operational instructions for the following:

- [AM-TX3-100](#)
- [M202106002\(AM-TX3-200 Operation \(on the facing page\)\)](#)

M202106002(AM-TX3-200) Operation

The AirMedia Series 3 Connect Endpoint enables wireless presentation when paired with a Wi-Fi® network capable AirMedia Series 3 Receiver. Deploy the M202106002(AM-TX3-200) alongside an AirMediaSeries 3 Receiver in conference rooms, huddle rooms, lounges, lobbies, or almost any space to establish a productive meeting environment.

Installation

The device can be placed or mounted onto a flat surface.

Place onto a Flat Surface

Place the device onto any flat, level surface.

Mount onto a Flat Surface

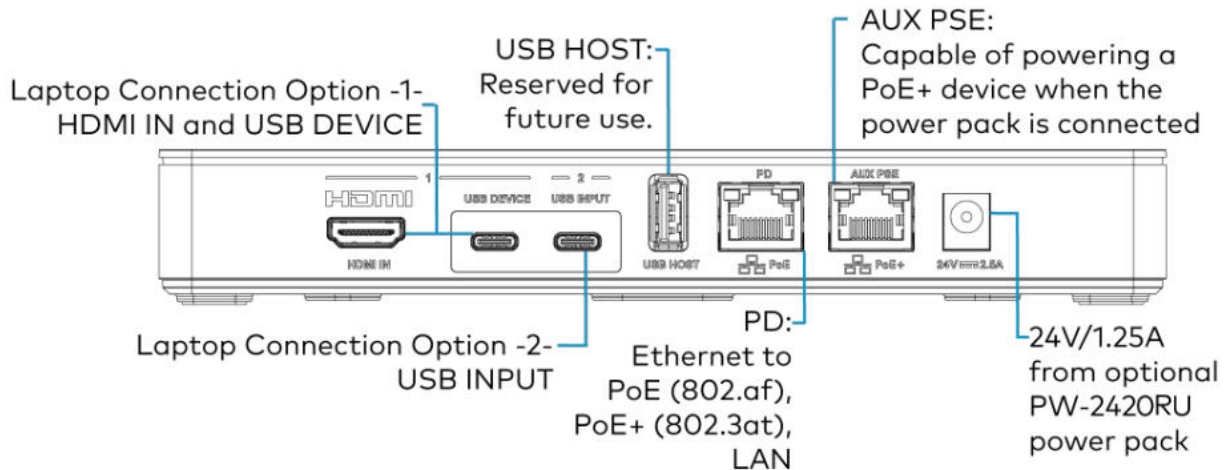
Use the included mounting bracket to mount the device onto a flat surface such as a wall or the underside of a table.

Connections

Make connections to the M202106002(AM-TX3-200) as shown in the following diagram.

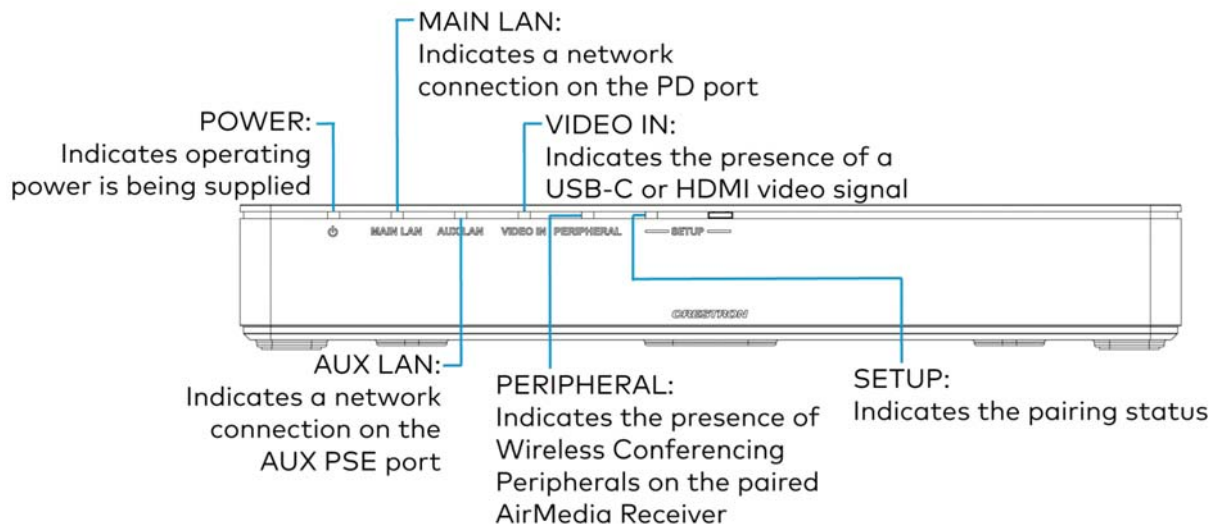
NOTES:

- Only use the AUX PSE port to connect to a peripheral device, such as a TS-770 touch screen. Do not use the AUX PSE port to connect to the main LAN.
- The AM-TX3-200 receives power from a Power over Ethernet (PoE, IEEE 802.3af) or Power over Ethernet+ (PoE+, IEEE 802.3at) connection. It can also receive power from the [PW-2420RU](#) power pack (sold separately).
- Do not simultaneously provide PoE or PoE+ and local power.
- PoE-type networks connected to the PD port are for intrabuilding use only. Do not connect the AM-TX3-200 to lines that run outside of the building.



Observe the LEDs

Refer to the following diagram for information about the M202106002(AM-TX3-200)'s LED indicators.



Content Sharing

Before content can be shared with the M202106002(AM-TX3-200), it must be paired with a Wi-Fi network

capable AirMedia receiver and **Auto Share** must be enabled as described in the [Transmitter Pairing \(on page 65\)](#) section of this product manual.

To share content, connect the M202106002(AM-TX3-200) to a compatible laptop using HDMI or USB-C:

- **HDMI:** Connect to the **HDMI IN** port of the AM-TX3-200.
- **USB-C:** Connect to the **USB INPUT** port of the AM-TX3-200.

NOTE: The laptop's USB-C port must be DisplayPort Alt mode compatible.

Content will automatically share when the connection is made.

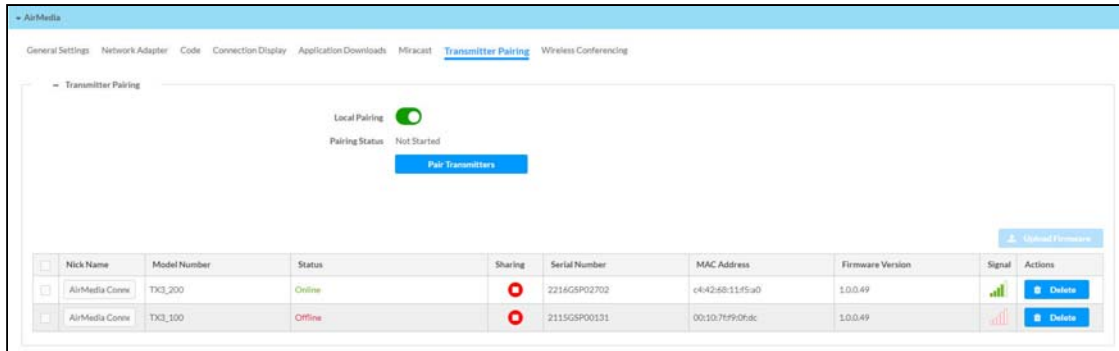
Peripheral Access

To use peripherals connected to the AirMedia receiver for Wireless Conferencing, connect the M202106002(AM-TX3-200) to a compatible laptop using USB-A or USB-C:

- **USB-A:** Using the included USB-A to USB-C cable, connect to the **USB-DEVICE** port of the M202106002(AM-TX3-200).
- **USB-C:** Connect to the **USB INPUT** port of the M202106002(AM-TX3-200).

Peripherals connected to the receiver will be available on the compatible laptop when the connection is made.

AirMedia Screen - Transmitter Pairing



- **Local Pairing:** Turn the toggle on to enable pairing without the web configuration. To initiate the pairing process locally, press and hold the **SETUP** button on the AirMedia receiver for five seconds.
- **Pairing Status:** Indicates the current status of a pairing attempt.
- **Pair Transmitters:** Initiate the pairing process.

NOTE: After initiating pairing locally or by clicking **Pair Transmitters**, the process must also be initiated on the transmitter:

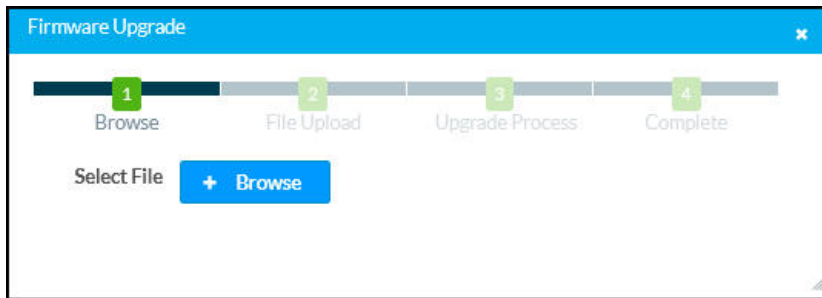
- **AM-TX3-100:** Press and hold the **Screenshare** button for five seconds. The ring LED will turn red and white when pairing begins.
- **M202106002(AM-TX3-200)**
: Press and hold the **SETUP** button for five seconds. The **SETUP** LED will start blinking when pairing begins.

Paired transmitters appear in the table:

- **Nickname:** Friendly name for the transmitter
- **Model Number:** Model of the transmitter
- **Status:** Indicates if the transmitter is currently online or offline
- **Sharing:** Indicates if the transmitter is currently sharing
- **Serial Number:** Displays the serial number of the transmitter
- **MAC Address:** MAC Address of the transmitter
- **Firmware Version:** Firmware version of the transmitter
- **Signal:** Signal strength between the transmitter and receiver
- **Actions:** Click **Delete** to unpair the transmitter.

To update firmware on a paired transmitter:

1. In the table, select the checkbox next to the transmitter.
2. Click the blue **Upload Firmware** button.



3. Select **Browse**, and then navigate to the firmware PUF on the host computer.
4. Select the firmware PUF, and then select **Open**.
5. Select **Load** to load the PUF to the receiver. The upload progress is shown in the dialog box.
6. Once the device has completed the firmware upgrade, select **OK**.

Select the **x** button to close the **Firmware Upgrade** dialog box. Selecting the **x** button before the PUF is uploaded to the device cancels the upgrade. Once the PUF upload process begins, the dialog box cannot be closed, and the upload process cannot be canceled.

Certification and Compliance

Regulatory Model: M202106002

Common part:

This equipment complies with radiation exposure limits set forth for an uncontrolled environment. This transmitter must not be co-located or operating in conjunction with any other antenna or transmitter. This equipment should be installed and operated with minimum distance 20cm between the radiator & your body.

Après examen de ce matériel aux conformités ou aux limites d'intensité de champ RF, les utilisateurs peuvent sur l'exposition aux radiofréquences et la conformité and compliance d'acquérir les informations correspondantes. La distance minimale du corps à utiliser le dispositif est de 20cm.

Federal Communications Commission (FCC)

Compliance Statement

This device complies with part 15 of the FCC Rules. Operation is subject to the following two conditions: (1) this device may not cause harmful interference, and (2) this device must accept any interference received, including interference that may cause undesired operation.

Any Changes or modifications not expressly approved by the party responsible for compliance could void the user's authority to operate the equipment.

Note: This equipment has been tested and found to comply with the limits for a Class B digital device, pursuant to part 15 of the FCC Rules. These limits are designed to provide reasonable protection against harmful interference in

a residential installation. This equipment generates, uses and can radiate radio frequency energy and, if not installed and used in accordance with the instructions, may cause harmful interference to radio communications.

However, there is no guarantee that interference will not occur in a particular installation. If this equipment does cause harmful interference to radio or television reception, which can be determined by turning the equipment off and on, the user is encouraged to try to correct the interference by one or more of the following measures:

- Reorient or relocate the receiving antenna.
- Increase the separation between the equipment and receiver.
- Connect the equipment into an outlet on a circuit different from that to which the receiver is connected.
- Consult the dealer or an experienced radio/TV technician for help.

Canada Regulatory Information

Radio equipment

Operation of 5150-5250 MHz is restricted to indoor use only.

This device contains licence-exempt transmitter(s)/receiver(s) that comply with Innovation, Science and Economic Development Canada's licence-exempt RSS(s). Operation is subject to the following two conditions:

- (1) This device may not cause interference.
- (2) This device must accept any interference, including interference that may cause undesired operation of the device.

Le fonctionnement de 5150-5250 MHz est limité à une utilisation en intérieur uniquement.

Le présent appareil est conforme aux CNR d'Innovation, Sciences et Développement économique Canada applicables aux appareils radio

exempts de licence. L'exploitation est autorisée aux deux conditions suivantes :

- 1) L'appareil ne doit pas produire de brouillage;
- 2) L'appareil doit accepter tout brouillage radioélectrique subi, même si le brouillage est susceptible d'en compromettre le fonctionnement.

CAN ICES-003(B)/NMB-0033(B)

This product meets the applicable Innovation, Science and Economic Development Canada technical specifications.

Le présent produit est conforme aux spécifications techniques applicables d'Innovation, Sciences et Développement économique Canada.

EU Regulatory Information

Operation of 5150-5350 MHz is restricted to indoor use only.

The simplified EU declaration of conformity referred to in Article 10(9) shall be provided as follows:

Hereby, [CRESTRON ELECTRONICS, INC] declares that the radio equipment type [M202106002] is in compliance with Directive 2014/53/EU.

Support Frequency Bands and Power:

WLAN 2412-2472 MHz < 21 dBm; WLAN 5150-5250 MHz < 21 dBm;

WLAN 5250-5350 MHz < 19 dBm; WLAN 5470-5725 MHz < 21 dBm;

WLAN 5725-5825 MHz < 14 dBm;



BE	BG	CZ	DK	DE	EE	IE	EL	LI
ES	FR	HR	IT	CY	LV	LT	LU	CH
HU	MT	NL	AT	PL	PT	RO	SI	TR
SK	FI	SE	NO	IS	UK	UK(NI)		

In the UK and EU member states, operation of 5150-5350 MHz is restricted to indoor use only.