

AirMedia® Presentation System (with WiFi)

The Crestron AirMedia® Presentation System 3200 (AM-3200, AM-3200-WF and AM-3200-WF-I) enables secure wired and wireless (except AM-3200) presentation in conference rooms, lounges, lobbies, and open spaces, and integrates with popular calendaring platforms to maximize use. It is ideal for organizations with a dispersed workforce, openfloor plans, and reliance on mobile devices to present.

The information provided in this Quick Start Guide is applicable for the following variants:

- Crestron® AirMedia® Presentation System (AM-3200)
- Crestron® AirMedia® Presentation System with WiFi (AM-3200-WF)
- Crestron® AirMedia® Presentation System with WiFi, International (AM-3100-WF-I)



In the Box

- 1 AM-3200, AM-3200-WF or AM-3100-WF-I, AirMedia Presentation System (with WiFi)

Additional items

- 1 Product Information/Compliance Document (Ship-with)
- 2 5-pin phoenix male connector
- 1 2-pin phoenix male connector
- 4 Surface Mounting Screws (PN# TBD)
- 4 Wall Anchors (PN# TBD)
- 2 SMA Antenna (PN# TBD)

AirMedia® Presentation System (with WiFi)

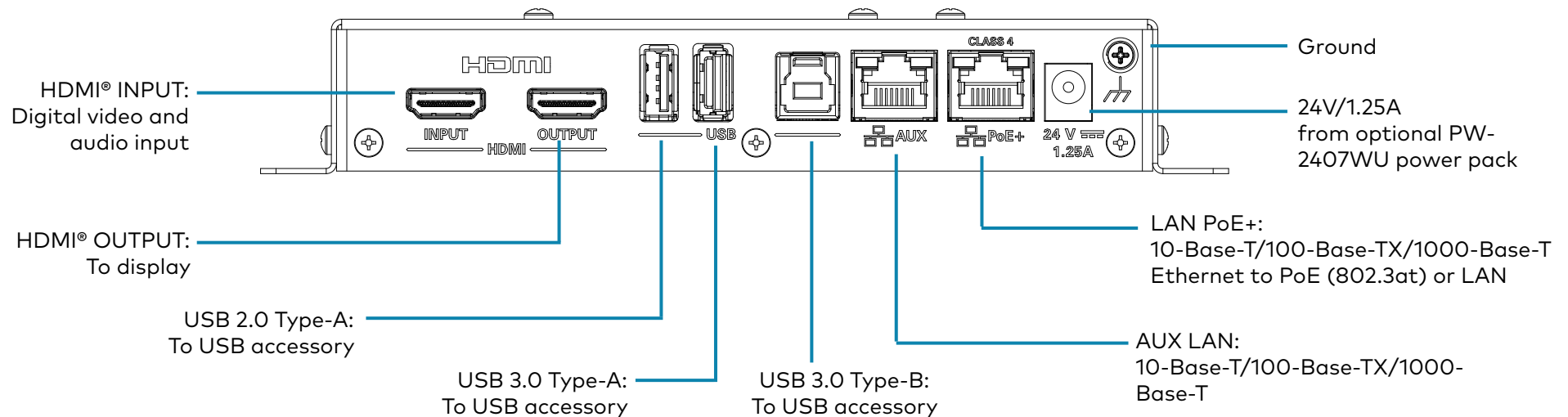
Make Connections

AM-3200, AM-3200-WF and AM-3200-WF-I

Make connections to the device as shown in the following diagrams.

The AM-3200(-WF)(-I) receives power from a Power over Ethernet (PoE+, IEEE 802.3at) connection. It can also receive power from the **PW-2407WU** power pack (sold separately).

Top panel connections

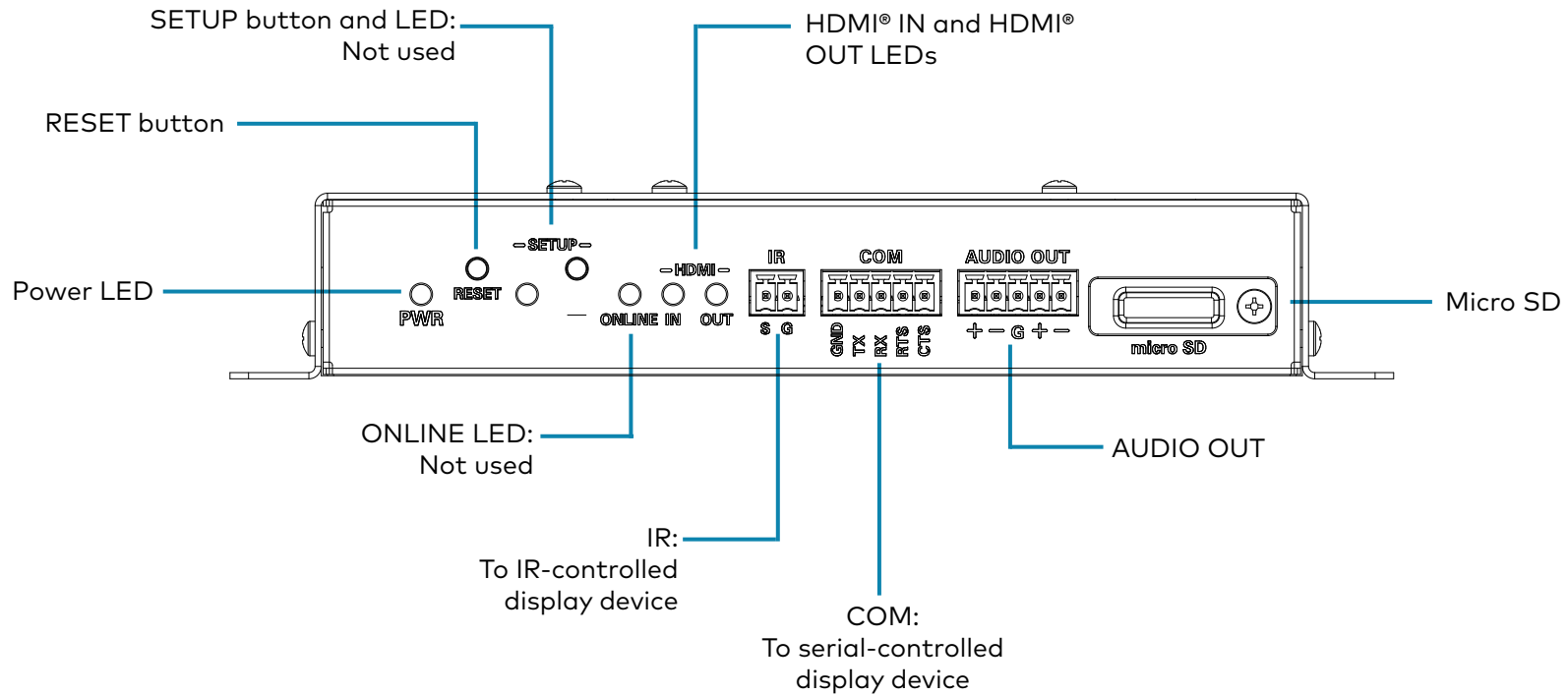


NOTE: PoE-type networks connected to these ports are for intrabuilding use only and should not be connected to lines that run outside of the building where this product is located.

Make Connections

AM-3200

Bottom panel connections

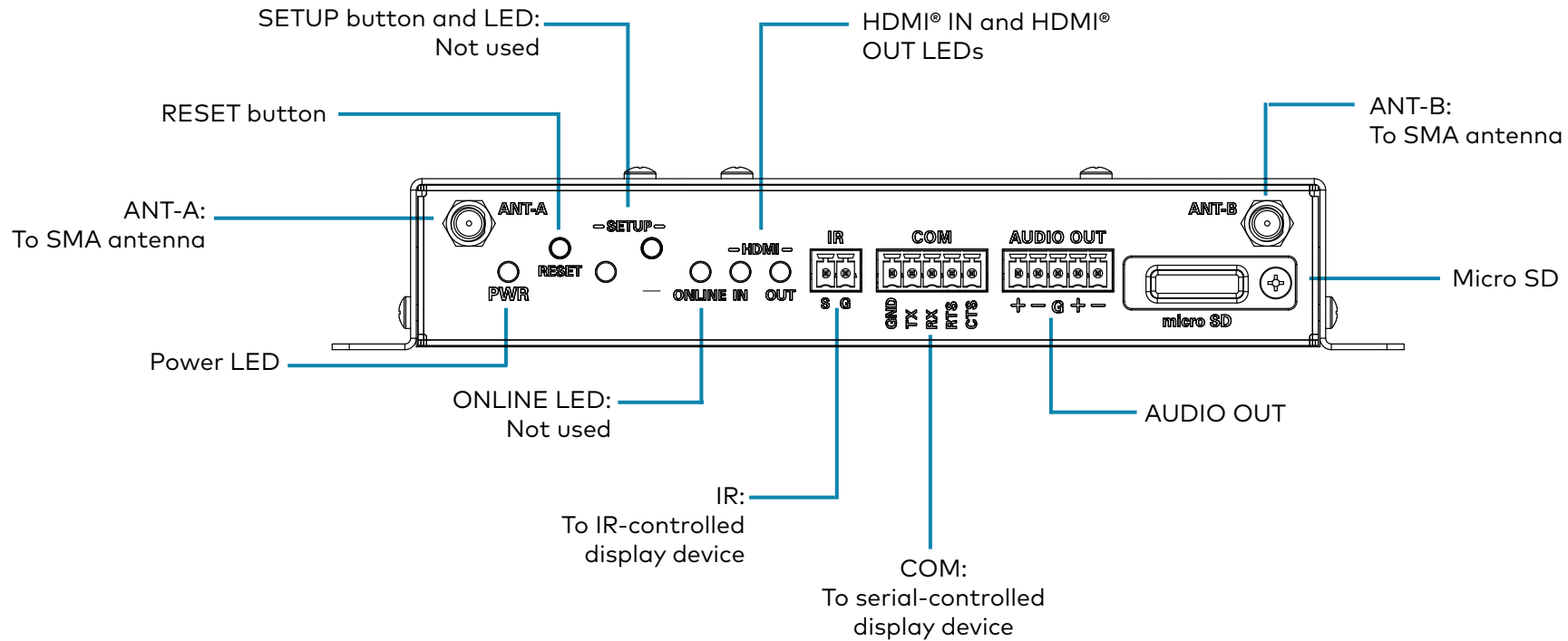


AirMedia® Presentation System (with WiFi)

Make Connections

AM-3200-WF and AM-3200-WF-I

Bottom panel connections



AirMedia® Presentation System (with WiFi)



Important instructions

Important Safety Instructions

WARNING: When using this product, basic precautions should always be followed, including the following:

1. Read these instructions carefully.
2. All cautions and warnings should be followed.
3. The equipment should only be used at maximum 40°C (104°F) ambient temperature.
4. Opening the equipment could result in electrical shock and should only be done by qualified service personnel.
5. Protect equipment from humidity.
6. Do not insert foreign objects or liquids into the openings, this could cause a fire or electrical shock.
7. Do not use chemical detergents to clean our device, use a soft dry cloth.
8. To avoid damage from electrical peaks unplug the device when it is not in use.
9. If one of the following situations arise, equipment has to be checked by qualified service personnel:
 - Liquid has penetrated into the equipment.
 - Equipment has been exposed to humidity.
 - Equipment has been dropped and/or is damaged.
 - Equipment has obvious sign of breakage.
 - Equipment does not work well or you can not get it working according to user's manual.
10. Do not expose the equipment to water or place object filled with water on top of it.



Instructions importantes

Instructions de sécurité importantes

Les avertissements: concernant l'utilisation de ce produit doivent toujours être fondés sur les précautions fondamentales, notamment:

1. Lisez attentivement ces notes.
2. Tous les avertissements et avertissements doivent être respectés.
3. L'équipement ne peut être utilisé qu'à une température ambiante maximale de 40°C (104°F).
4. L'ouverture de l'appareil peut provoquer un choc électrique qui ne peut être assuré que par un personnel d'entretien qualifié.
5. Empêcher l'humidité du dispositif.
6. Il est interdit d'introduire des objets étrangers ou liquides dans l'ouverture, faute de quoi cela pourrait provoquer un incendie ou un choc électrique.
7. Ne pas utiliser d'appareil de nettoyage chimique et utiliser un tissu sec souple.
8. Pour éviter les dommages de crête électrique, retirez la fiche d'alimentation lorsque le dispositif n'est pas utilisé.
9. Dans l'un des cas énoncés ci-dessous, le matériel doit être vérifié par un service qualifié:
 - Dispositif d'infiltration de liquide.
 - L'équipement est exposé à l'humidité.
 - Matériel tombé et/ou endommagé.
 - L'équipement a été endommagé.
 - Le matériel ne fonctionne pas correctement ou ne peut pas être utilisé conformément au Manuel de l'utilisateur.
10. L'équipement ne doit pas être exposé à l'eau ni être placé sur des objets remplis d'eau.

U.S. FCC Part 15 Regulatory Information

This device complies with part 15 of the FCC Rules. Operation is subject to the following two conditions:(1) this device may not cause harmful interference, and
(2) this device must accept any interference received, including interference that may cause undesired operation.

Any Changes or modifications not expressly approved by the party responsible for compliance could void the user's authority to operate the equipment.

Note: This equipment has been tested and found to comply with the limits for a Class B digital device, pursuant to part 15 of the FCC Rules. These limits are designed to provide reasonable protection against harmful interference in a residential installation. This equipment generates, uses and can radiate radio frequency energy and, if not installed and used in accordance with the instructions, may cause harmful interference to radio communications. However, there is no guarantee that interference will not occur in a particular installation. If this equipment does cause harmful interference to radio or television reception, which can be determined by turning the equipment off and on, the user is encouraged to try to correct the interference by one or more of the following measures:

- Reorient or relocate the receiving antenna.
- Increase the separation between the equipment and receiver.
- Connect the equipment into an outlet on a circuit different from that to which the receiver is connected.
- Consult the dealer or an experienced radio/TV technician for help.

FCC Radiation Exposure Statement:

- This equipment complies with radiation exposure limits set forth for an uncontrolled environment. This equipment should be installed and operated with minimum distance 20cm between the radiator & your body.

This transmitter must not be co-located or operating in conjunction with any other antenna or transmitter.

Canada Regulatory Information

Radio equipment

Operation of 5150-5350 MHz is restricted to indoor use only.

This device contains licence-exempt transmitter(s)/receiver(s) that comply with Innovation, Science and Economic Development Canada's licence-exempt RSS(s). Operation is subject to the following two conditions:

- (1) This device may not cause interference.
- (2) This device must accept any interference, including interference that may cause undesired operation of the device.

Le fonctionnement de 5150-5350 MHz est limité à une utilisation en intérieur uniquement.

Le présent appareil est conforme aux CNR d'Innovation, Sciences et Développement économique Canada applicables aux appareils radio exempts de licence. L'exploitation est autorisée aux deux conditions suivantes :

- (1) l'appareil n' doit pas produire de brouillage, et
- (2) l'utilisateur de l'appareil doit accepter tout brouillage radioélectrique subi, même si le brouillage est susceptible d'en compromettre le fonctionnement.

The device is compliance with RF exposure guidelines, users can obtain Canadian information on RF exposure and compliance. The minimum distance from body to use the device is 20cm.

Le présent appareil est conforme Après examen de ce matériel aux conformité ou aux limites d'intensité de champ RF, les utilisateurs peuvent sur l'exposition aux radiofréquences et la conformité and compliance d'acquérir les informations correspondantes. La distance minimale du corps à utiliser le dispositif est de 20cm.

CAN ICES-3 (B)/NMB-3(B)