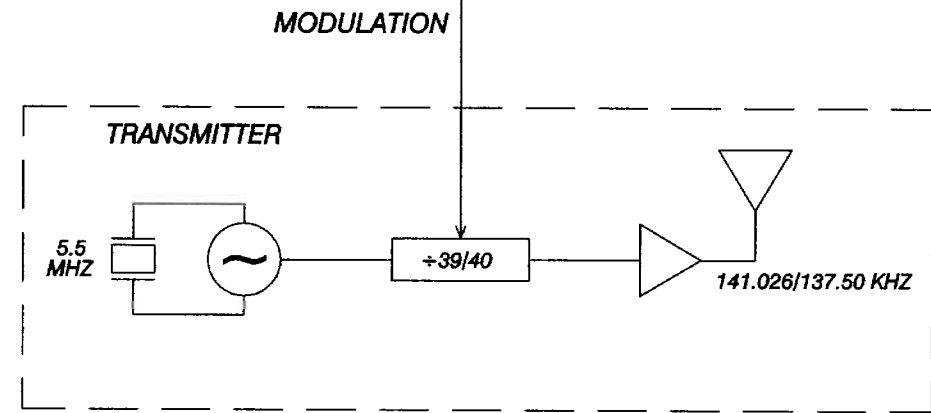
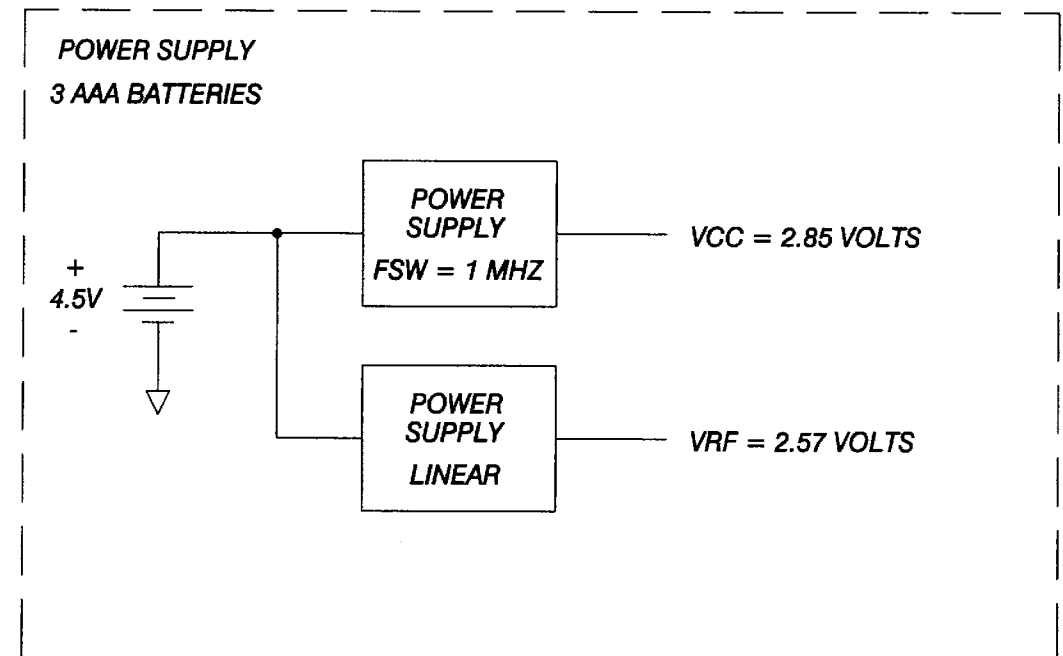
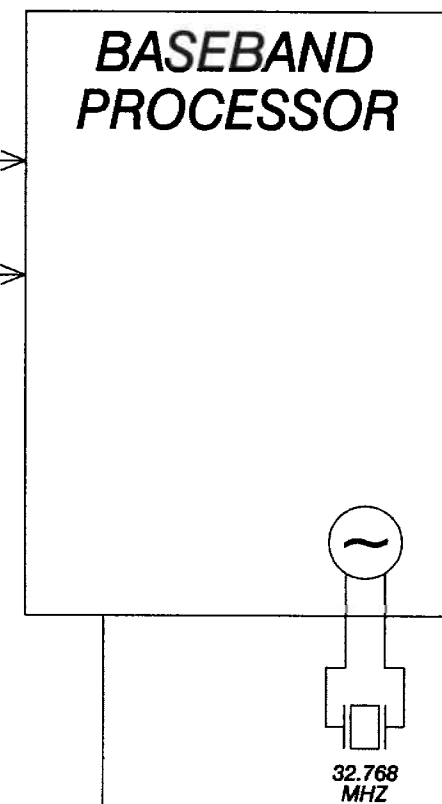
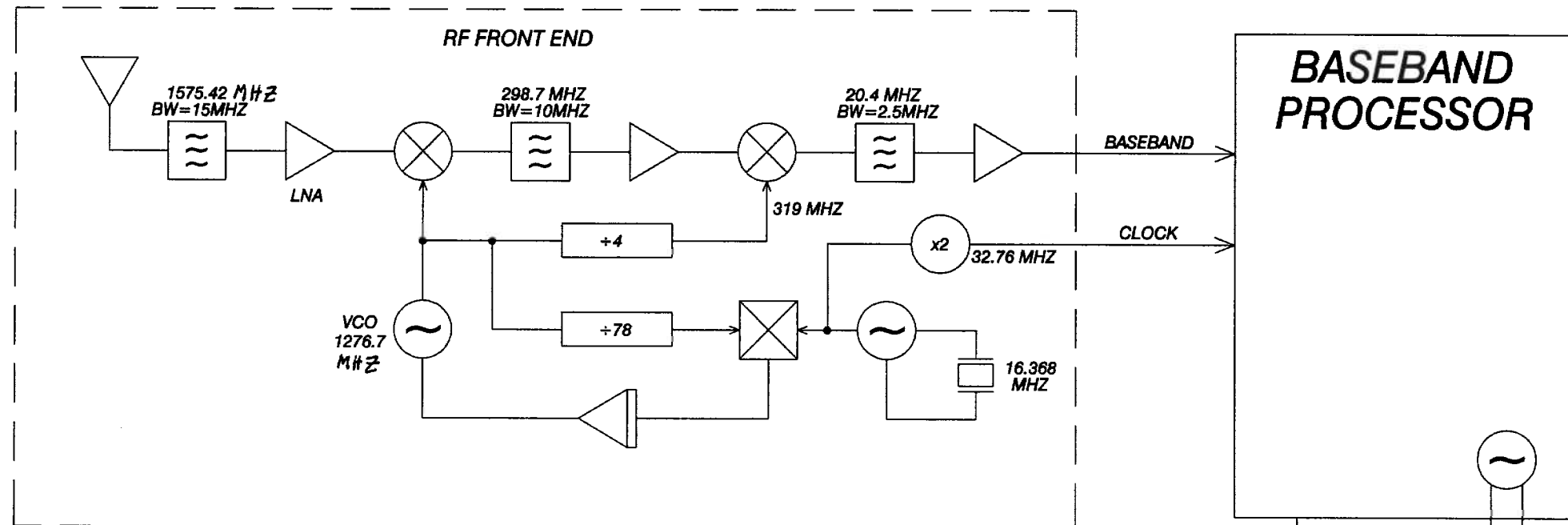


REVISIONS			
REV	DESCRIPTION	DATE	ECO No.



<p align="center">CONFIDENTIAL</p> <p align="center">This drawing and the specifications contained herein are the property of GARMIN CORPORATION and may not be reproduced or used in whole or in part as the basis for manufacture or sale of products without written permission of GARMIN CORPORATION</p>		<p align="center">GARMIN GARMIN Corporation 1200 E. 151st Street Olathe, Kansas 66062 U.S.A.</p>	
<p>TOLERANCE UNLESS NOTED OTHERWISE</p> <p>ENGLISH UNITS .XX ±.010 .XXX ±.005 HOLES ±.003 METRIC UNITS .X ±.25 .XX ±.13 HOLES ±.08 ANGLES +/- 0.5°</p>		<p>DRWN. RNL</p> <p>CHKD.</p> <p>APPR.</p> <p>PROJ. MGR.</p>	<p>DATE 2/22/02</p> <p>TITLE TRANSMITTER FREQUENCY PLAN, M850</p> <p>SIZE B</p> <p>SCALE</p>
<p>DWG. NO.</p>		<p>REV. 1</p>	<p>SHT. 1 OF 1</p>