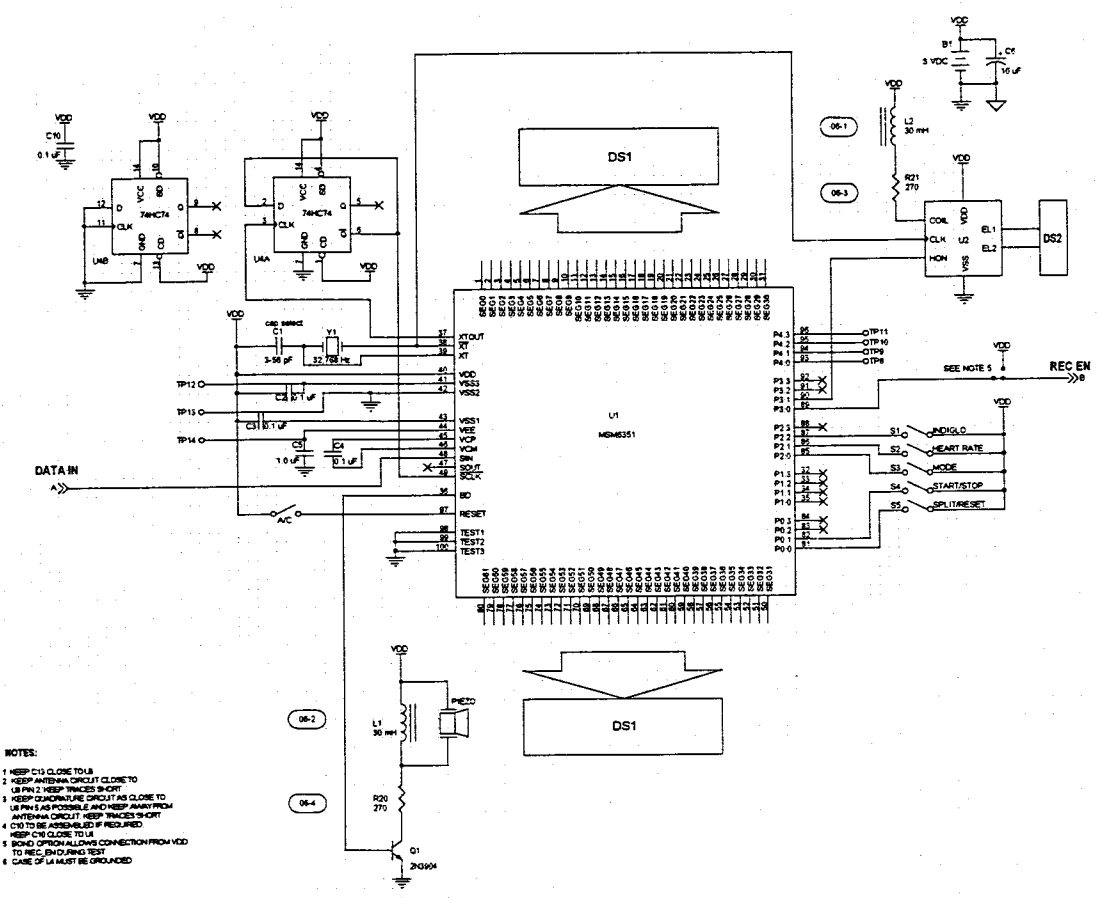


818-815808



- NOTES:
1. KEEP C15 CLOSE TO U1
 2. KEEP ANTENNA CIRCUIT CLOSE TO U1
 3. KEEP QUADRATURE CIRCUIT AS CLOSE TO U1 AS POSSIBLE AND KEEP AWAY FROM ANTENNA CIRCUIT. KEEP TRACES SHORT
 4. C10 TO BE ADJUSTABLE IF REQUIRED
 5. KEEP C78 CLOSE TO U1
 6. BOND OPTICAL HALLOWE CONNECTION FROM VDD TO REC EN DURING TEST
 7. CASE OF U1 MUST BE GROUND

TIMEX CONFIDENTIAL
 PROPRIETARY INFORMATION

THIS PRINT AND THE INFORMATION IT GIVES ARE THE PROPERTY OF TIMEX CORPORATION. THE PRINT IS NOT TRANSFERABLE AND IT AND ANY COPIES ARE TO BE RETURNED UPON COMPLETION OF THE CORRESPONDENCE OR ORDER. THE INFORMATION IS GIVEN IN CONFIDENCE FOR A LIMITED PURPOSE. IT IS NOT TO BE DISCLOSED AND IS NOT TO BE USED BEYOND THAT PURPOSE.

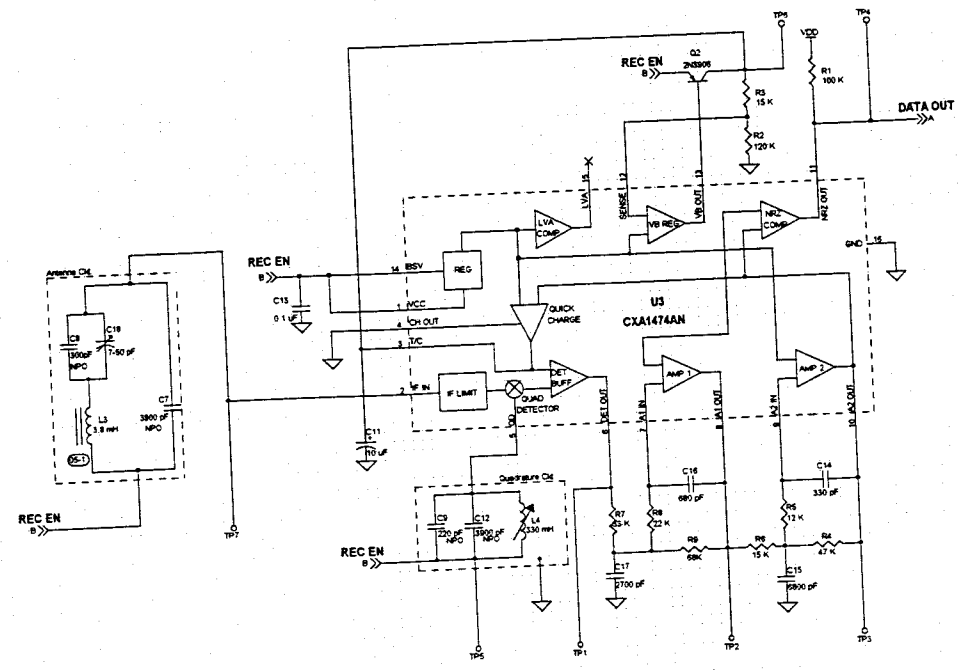
FOR CAD INFO ONLY		DO NOT SCALE DWG	SCALE: NA
FILENAME	818-815808-03.dsn	DATE	12 MAR 97
DIRECTORY	/cpdrel/m818	FIRST USED ON	M818

CHANGES		
ISS	ERO / ECO	DATE
01	818-970530-81	30 MAY 97
FIRST RELEASE		
02	818-970605-82	05 SEP 97
03	818-990206-82	06 FEB 98
04	818-981204-81	04 DEC 98
05	818-990115-81	15 JAN 99
06	818-990305-81	05 MAR 99

TIMEX CORPORATION	
SYSTEM SCHEMATIC	
DATE	12 MAR 97
DWG NO	818-815808-06
SHEET 1 OF 2	AS SHEET

Jim Pinard 3/5

818-8158



TIMEX CONFIDENTIAL
 PROPRIETARY INFORMATION

THIS PRINT AND THE INFORMATION IT GIVES ARE THE PROPERTY OF TIMEX CORPORATION. THE PRINT IS NOT TO BE TRANSMITTED, REPRODUCED, COPIED, OR USED IN ANY MANNER WITHOUT THE WRITTEN PERMISSION OF TIMEX CORPORATION. IF YOU HAVE BEEN ORDERED TO RETURN THIS PRINT, IT IS NOT TO BE DIVULGED AND IS NOT TO BE USED BEYOND THAT PURPOSE.

FOR CAD INFO ONLY		DO NOT SCALE DWG		SCALE: NA	
FILENAME	818-815808-06.dsn	DWG	SBL	DATE	12 MAR 97
DIRECTORY	/cpdrel/m818	FIRST USED ON	M818	BY	

J. P. ... 3/5

FIRST RELEASE		
01	818-970530-81	30 MAY 97
02	818-970605-82	05 SEP 97
03	818-980205-82	06 FEB 98
04	818-981204-81	04 DEC 98
05	818-990115-81	15 JAN 99
06	818-990305-81	05 MAR 99

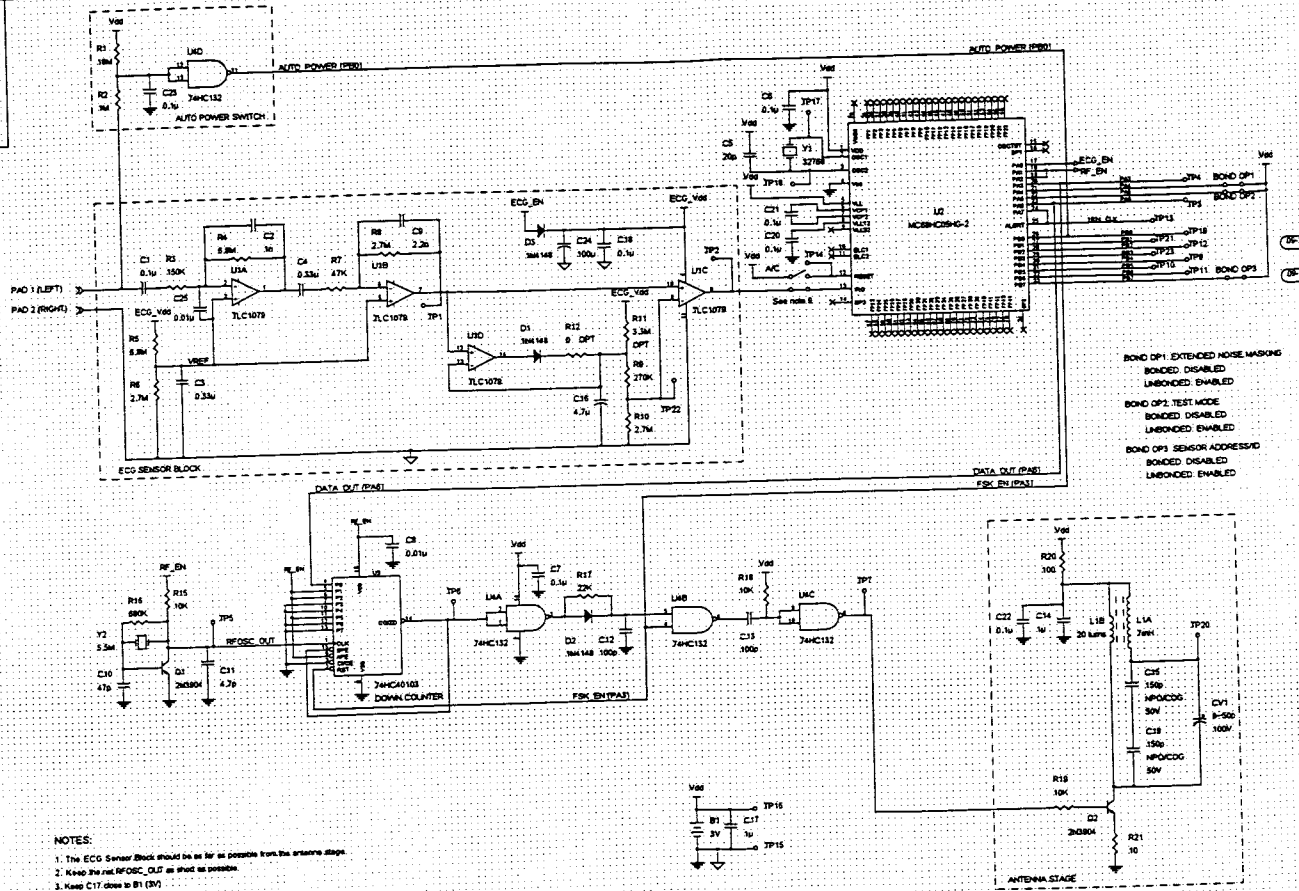
TIMEX
 CORPORATION

SYSTEM SCHEMATIC

818-815808-06

SHEET 2 OF 2

NO. 821-815806



- NOTES:
1. The ECG Sensor Block should be as far as possible from the antenna stage.
 2. Keep the rat RFOSC_OUT as short as possible.
 3. Keep C17 close to B1 (BY).
 4. Keep C16 and C18 close to U3 (TLC1079) power pins.
 5. Keep C8 close to U3 (74HC40103) power pins.
 6. Keep C6 close to U2 (MC2802C05-G-2) power pins.
 7. Keep C7 close to U4 (74HC132) power pins.
 8. Left pad placed over heat.
 9. Bond option shows description of PCD model for test.
 10. R11 is optional. Default: Open. Option: Assemblies 3.3M.
 11. R12 is optional. Default: Short. Option: Assemblies 0 Ohm.

TIMEX CONFIDENTIAL
 PROPRIETARY INFORMATION

Keep away from unauthorized persons and from
 unauthorized use of this information. This information
 is confidential and its disclosure or use by unauthorized
 persons is prohibited. This information is controlled under
 the provisions of the Export Administration Regulations.
 It is classified "Secret" under E.O. 12958, and its
 release is prohibited to unauthorized persons.

FOR CAD INFO ONLY	
FILENAME	821-815806-09.dsn
DIRECTORY	pcpadm21

DO NOT SCALE DWG		SCALE: N/A	
REV	01	DATE	26 JAN 87
REV	02	DATE	
REV	03	DATE	
REV	04	DATE	

TIMEX	
SYSTEM SCHEMATIC	
NO.	821-815806-09
REV	01
DATE	26 JAN 87

CHANGES		
ISS	ERO / ECO	DATE
01	821-870265-01	26 JAN 87
FIRST RELEASE		
02	821-880213-02	13 FEB 88
03	821-880401-02	01 APR 88
04	821-880528-02	28 MAY 88
05	821-880625-02	25 JUN 88
06	821-881016-01	16 OCT 88
07	821-881050-01	30 OCT 88
08	821-881115-01	15 JAN 89
09	821-880219-01	18 FEB 89

- BOND OP1 EXTENDED NOISE MASKING
 BONDED: DISABLED
 UNBONDED: ENABLED
- BOND OP2 TEST MODE
 BONDED: DISABLED
 UNBONDED: ENABLED
- BOND OP3 SENSOR ADDRESS/ID
 BONDED: DISABLED
 UNBONDED: ENABLED

Signature 2/19