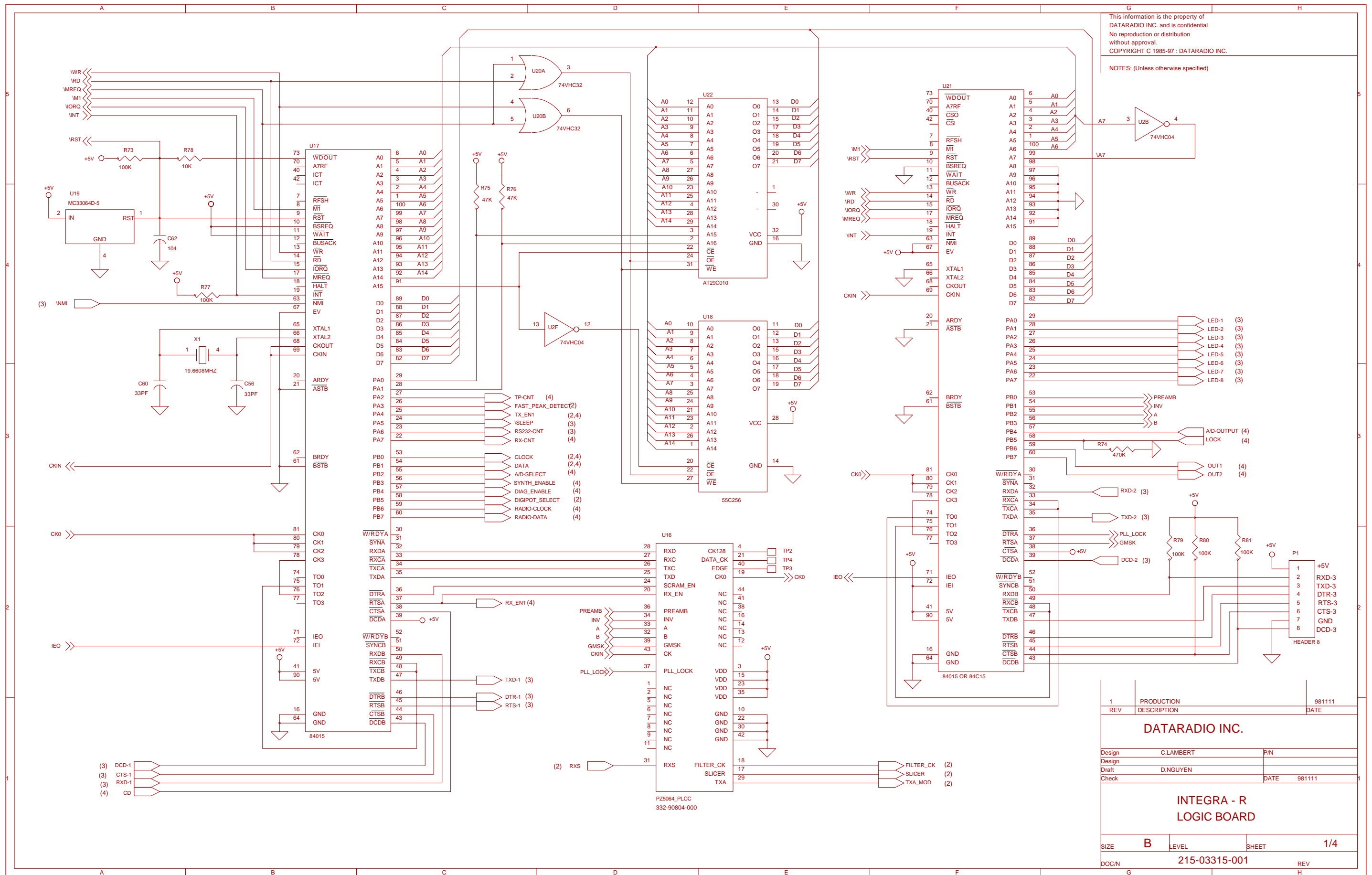


Annex B: Schematics

RULE PART NUMBER: 2.1033 (c)(10)

Contents

Integra R Modem/loaderpag 2-5
DL3412 Transceiver.....pag 6

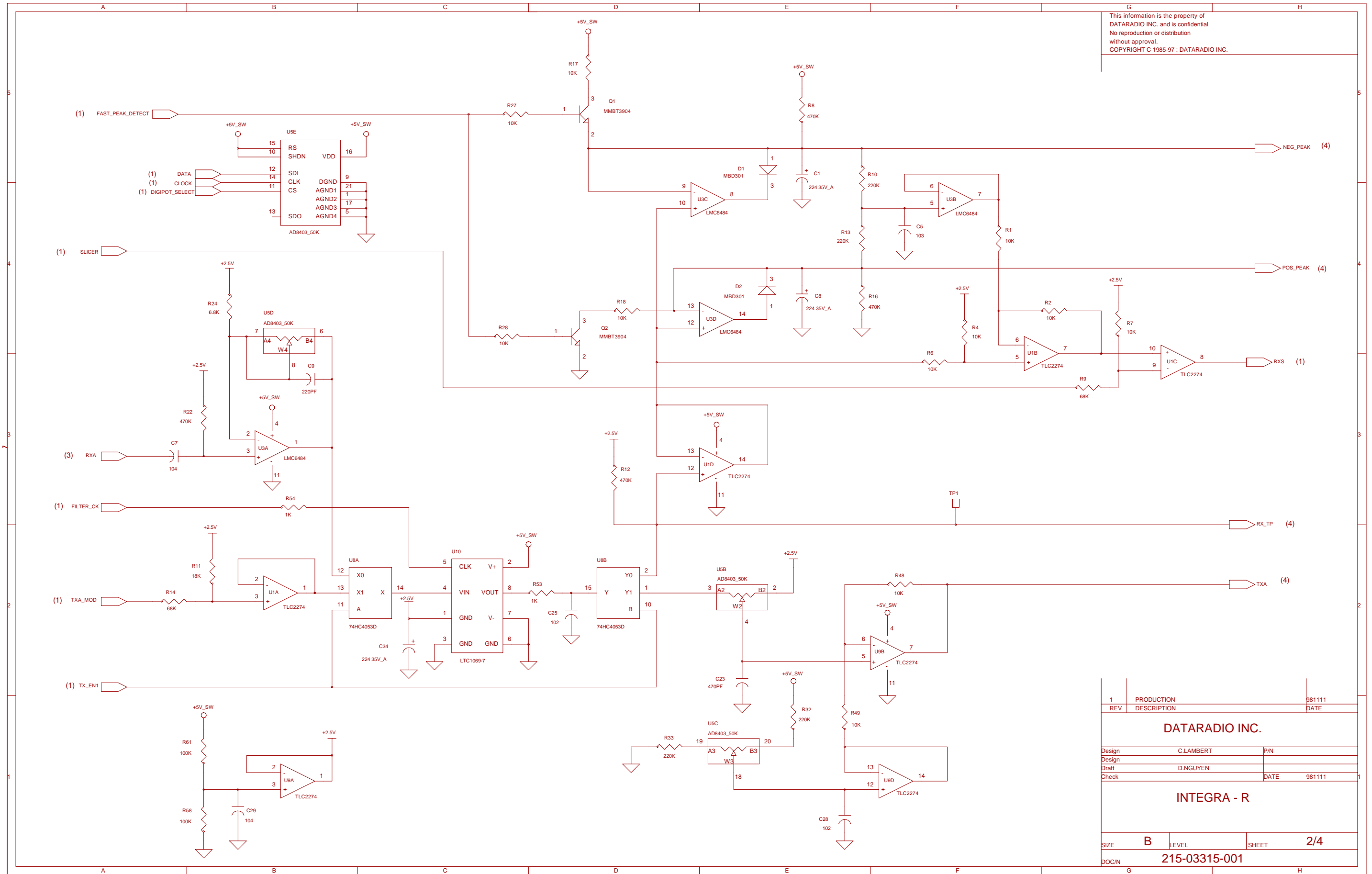


This information is the property of DATARADIO INC. and is confidential. No reproduction or distribution without approval. COPYRIGHT C 1985-97 : DATARADIO INC.

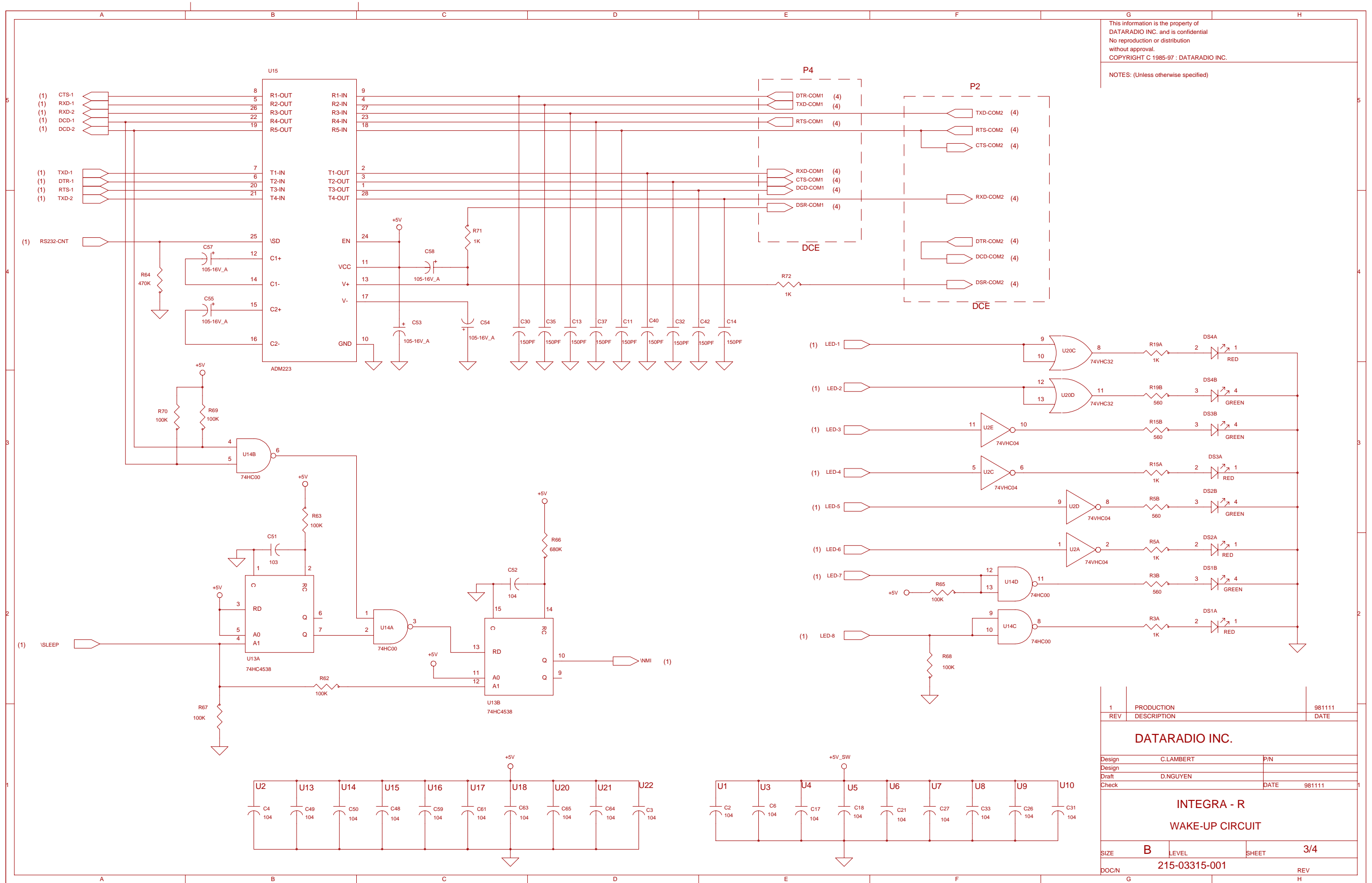
NOTES: (Unless otherwise specified)

1	PRODUCTION	981111
REV	DESCRIPTION	DATE
DATARADIO INC.		
Design	C.LAMBERT	P/N
Design		
Draft	D.NGUYEN	
Check		DATE 981111
INTEGRA - R LOGIC BOARD		
SIZE	B	SHEET 1/4
DOC/N	215-03315-001	
	REV	

This information is the property of DATARADIO INC. and is confidential. No reproduction or distribution without approval. COPYRIGHT C 1985-97 : DATARADIO INC.



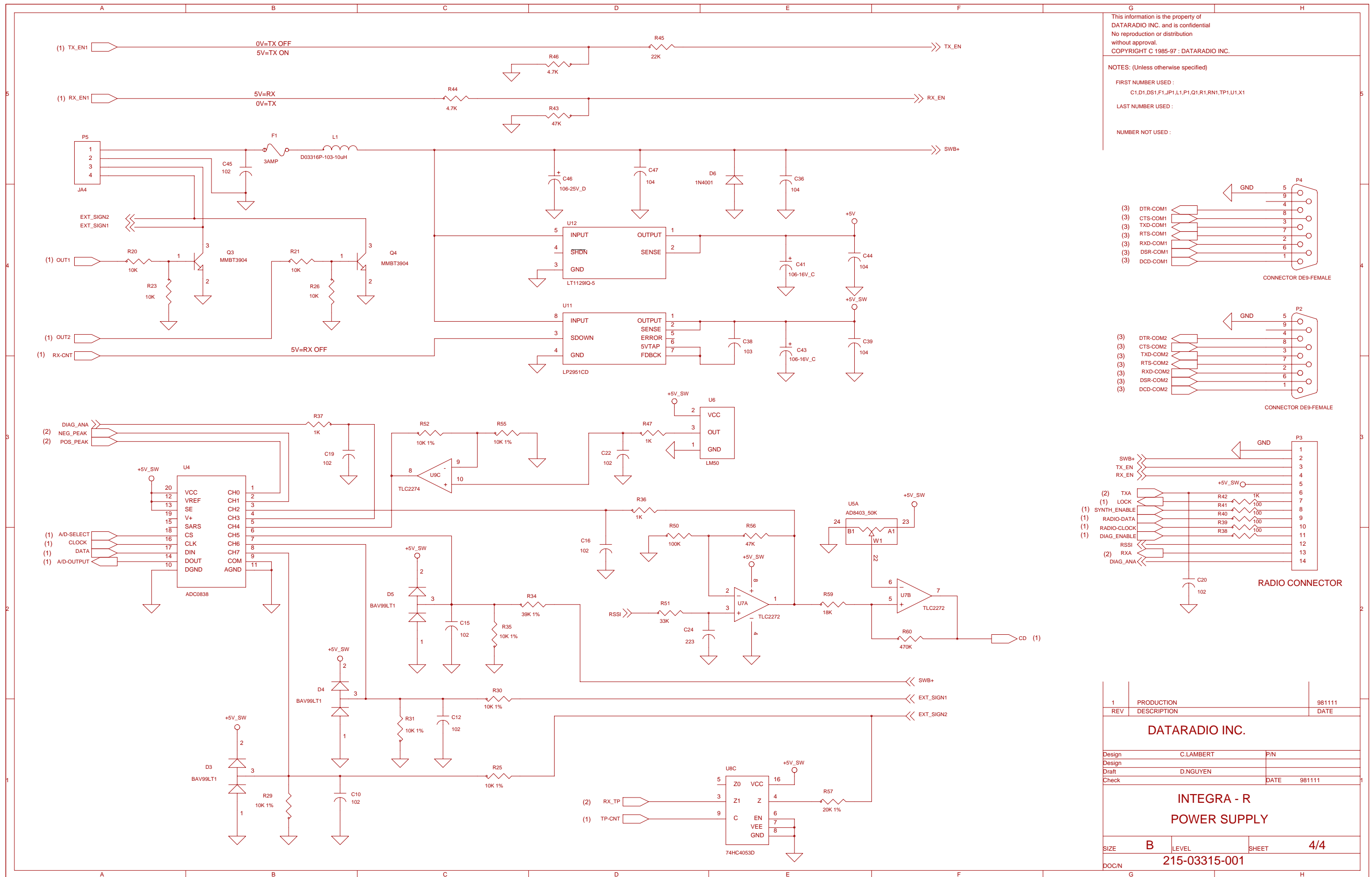
1	PRODUCTION	881111
REV	DESCRIPTION	DATE
DATARADIO INC.		
Design	C.LAMBERT	P/N
Design		
Draft	D.NGUYEN	
Check		DATE 981111
INTEGRA - R		
SIZE	B	LEVEL
		SHEET 2/4
DOC/N	215-03315-001	



This information is the property of DATARADIO INC. and is confidential. No reproduction or distribution without approval. COPYRIGHT C 1985-97 : DATARADIO INC.

NOTES: (Unless otherwise specified)

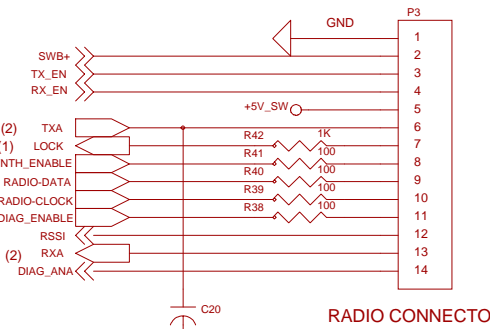
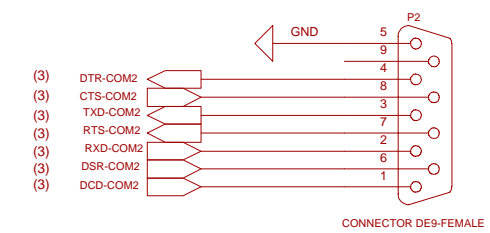
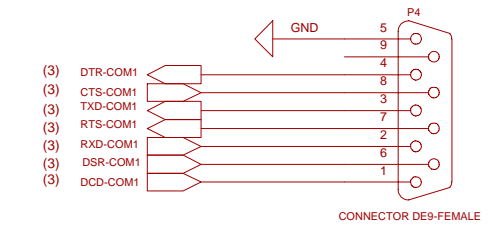
1	PRODUCTION	981111
REV	DESCRIPTION	DATE
DATARADIO INC.		
Design	C.LAMBERT	P/N
Design		
Draft	D.NGUYEN	
Check		DATE 981111
INTEGRA - R		
WAKE-UP CIRCUIT		
SIZE	B	LEVEL SHEET 3/4
DOC/N	215-03315-001	
		REV



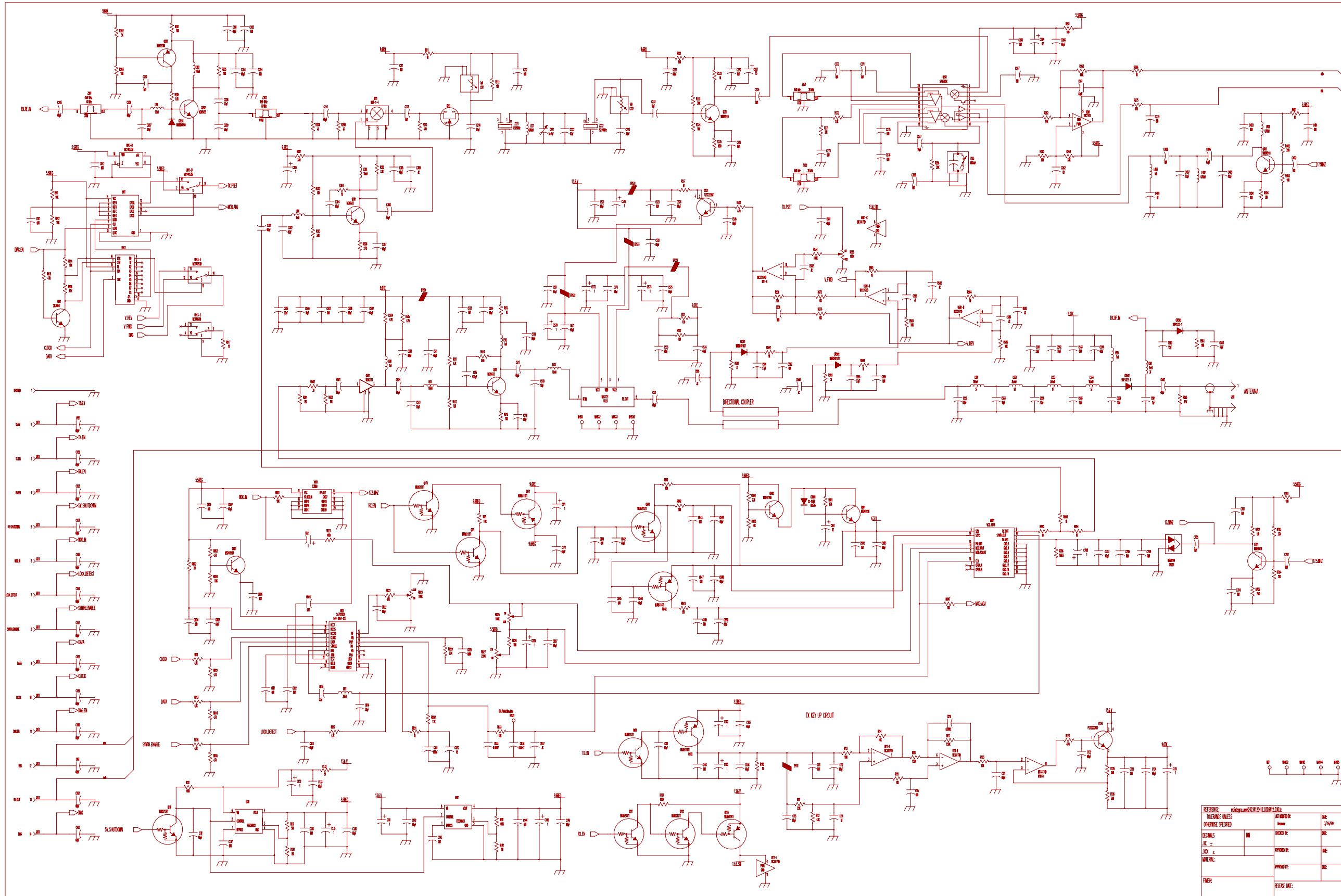
This information is the property of DATARADIO INC. and is confidential. No reproduction or distribution without approval. COPYRIGHT C 1985-97 : DATARADIO INC.

NOTES: (Unless otherwise specified)

FIRST NUMBER USED :
C1,D1,DS1,F1,JP1,L1,P1,Q1,R1,RN1,TP1,U1,X1
LAST NUMBER USED :
NUMBER NOT USED :



1	PRODUCTION	981111
REV	DESCRIPTION	DATE
DATARADIO INC.		
Design	C.LAMBERT	P/N
Design		
Draft	D.NGUYEN	
Check		DATE 981111
INTEGRA - R POWER SUPPLY		
SIZE	B	LEVEL SHEET 4/4
DOC/N	215-03315-001	



D- 025-3412-030

REVISIONS			
CIRCUIT REVISION			
1	7-11-96	DH	
CIRCUIT CHANGE (ERRORS) AND VALUE CHANGES:			
2	8-8-96	DH	
LS11 WMS 154H CS12 WMS 6.84F P534 WMS 53K CS22 IS NOW JC			
3	10-31-96	DH	
REMOVED PER ECO 52404			
4	1-17-97	DH	
R514 WMS 100K R515 WMS 10K			
5	4-24-97	DH	157144
REMOVED CS61			
6	1-21-98	DH	00059
ADD R176R, C57A, C57L, C57J, C57K, C57M, AND C57S AS ACS. CS72 WMS 1.5K CS76 WMS 750 OHM. PUT 750 OHM ON SCHEM. ADDED CS23.			
7	9-30-98	WJ	00281
REMOVED TO MATCH REV. 4 BOARD.			
8	3-15-99	DH	00368

COMPANY CONFIDENTIAL

REFERENCE: mcdiagn.com/CM3412/DIRTY/DRAW	DESIGNED BY: JWH	DATE: 2/4/99
TOLERANCE UNLESS OTHERWISE SPECIFIED	CHECKED BY: JWH	DATE:
DECIMALS: .01	APPROVED BY: JWH	DATE:
XXX: ±	APPROVED BY: JWH	DATE:
MINIMUM:	RELEASE DATE:	
FINISH:		

Johnson an Avaya
 Avaya Telecommunications Company
 200 West Street
 Basking Ridge, NJ 07804-4000

TITLE: DM3412 SYNTHESIZED UHF TELEMETRY MODULE
 Dwg No: D- 025-3412-030
 SCALE: N/A SHEET 1 OF 1