

**NAME OF TEST: Transmitter Rated Power Output**

RULE PART NUMBER: 2.1033 (c)(6)(7) and 2.1046 (a)

TEST RESULTS: See results below

TEST CONDITIONS: Standard Test Conditions, 25 C

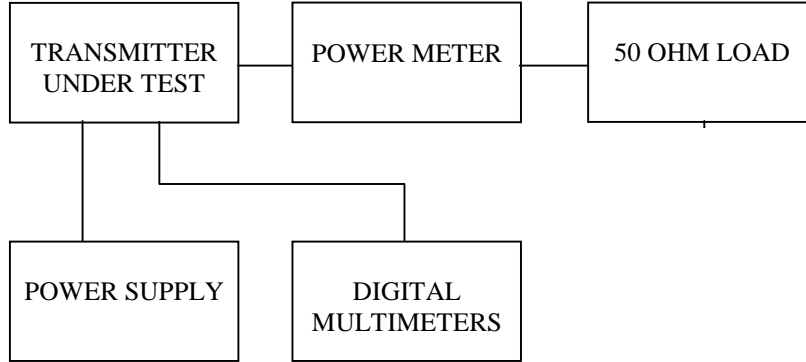
UUT: MCUA5R, s/n XXXX- prototype serial, comprised of two boards:  
MCU 3315 (Dataradio 210-03315-0xx) s/n L5- prototype modem board  
DL 3422 (JDT 242-3422-430)-s/n 10791 transceiver board

TEST EQUIPMENT: 50 Ohms RF load , Coaxial Dynamics model 4050- 50Watt  
Digital Voltmeter, Fluke Model 87III  
Digital Ammeter, Fluke Model 87III  
DC Power Source, ASTRON Model VS 20 M  
Power Meter, Coaxial Dynamics model 81050



PERFORMED BY: \_\_\_\_\_ DATE: 07/22/99  
Constantin Pintilei

TEST SET-UP:



TEST RESULTS:

Frequency (MHz)	DC Voltage at Final (VDC)	DC Current into Final (ADC)	DC Power into Final (W)	RF Power Output (W)
150.000	13.3	1.55	20.61	5.0
	13.3	0.86	11.44	1.0

**NAME OF TEST: Low-pass filter frequency response data**

RULE PART NUMBER: 90.210 b, as requested

TEST RESULTS: See results below

TEST CONDITIONS: Standard Test Conditions, 25 C

TEST PROCEDURE: TIA/EIA - 603, 2.2.15

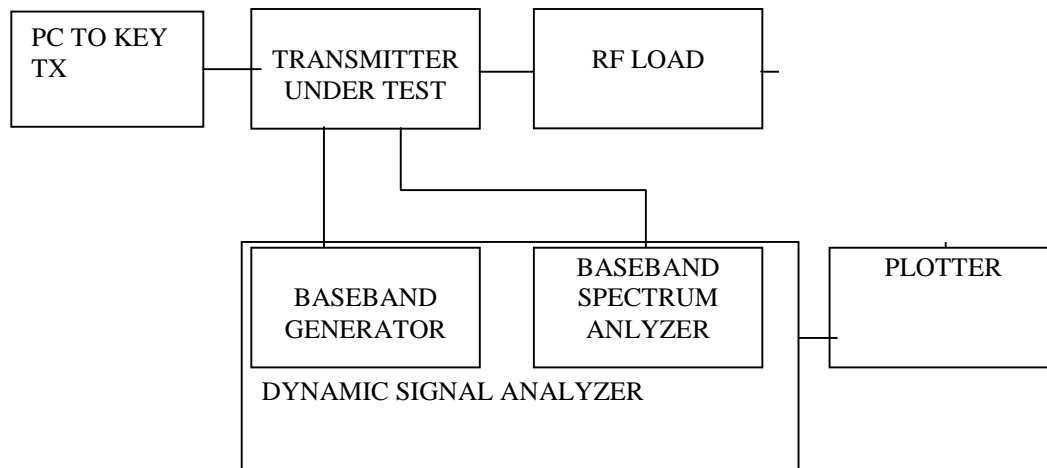
UUT: MCUA5R, s/n XXXX- prototype serial, comprised of two boards:  
MCU 3315 (Dataradio 210-03315-0xx) s/n L3- prototype modem board  
DL 3422 (JDT 242-3422-430)-s/n 10791 transceiver board  
LOW-PASS FILTER: Linear Technology LTC 1069-7

TEST EQUIPMENT: Dynamic Signal Analyzer HP model 35660A  
50 Ohms RF load , Coaxial Dynamics model 4050 - 50Watt  
Plotter HP Color Pro model 7440A



PERFORMED BY: \_\_\_\_\_ DATE: 07/22/99  
Constantin Pintilei

## TEST SET-UP:



Modem bitrate 19200 bps,  
Filter clock frequency -196.606 kHz

## TEST RESULTS:

1000 Hz reference level: -0.69 dB @ 1024 Hz  
-3dB cutoff frequency : -3.696 dB @ 7.872 kHz  
-44 dB @ 15.57 kHz

