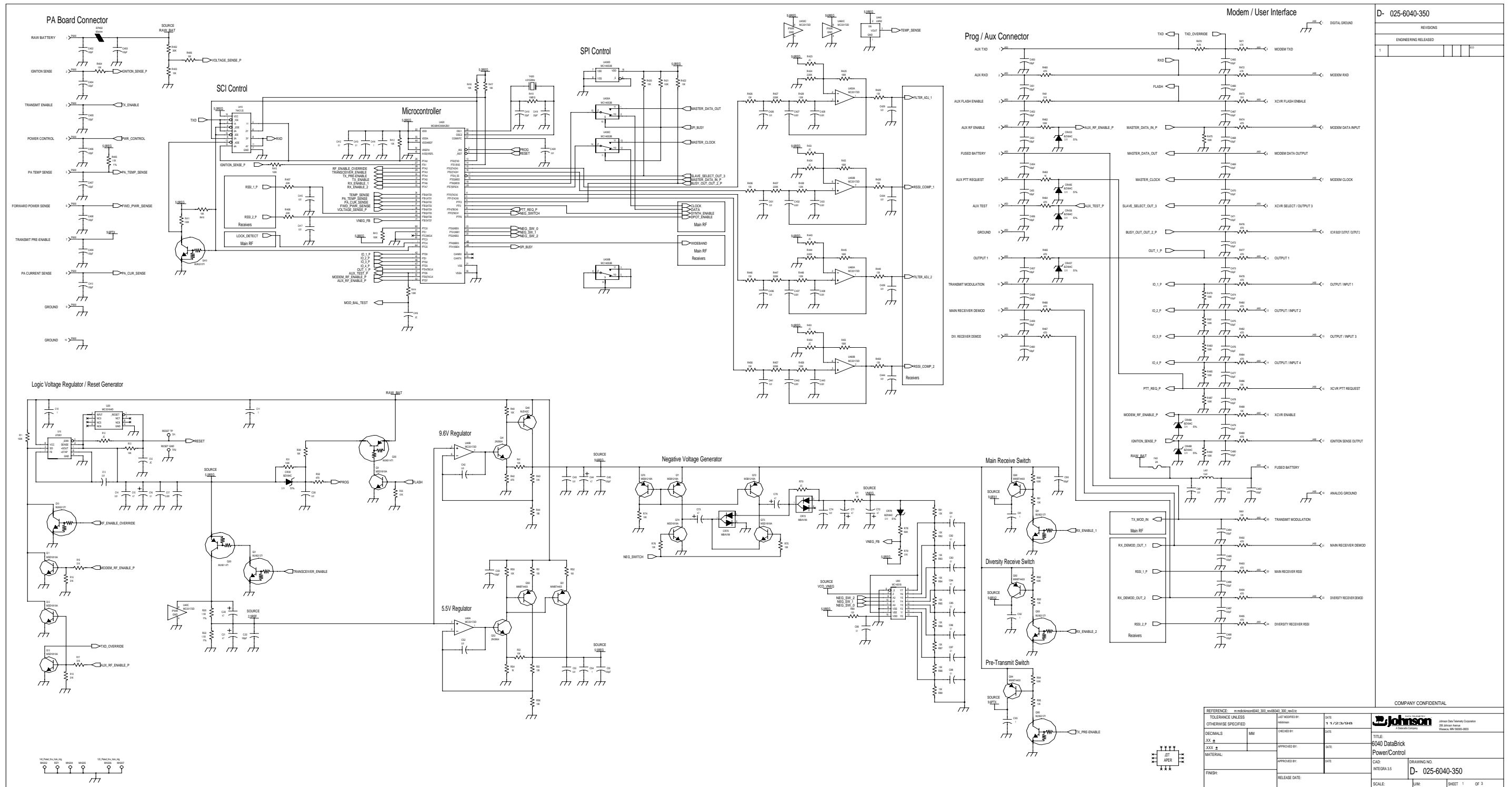


**EOTGPDA FCC report-Appendix Schematics
Gemini/PD schematics**

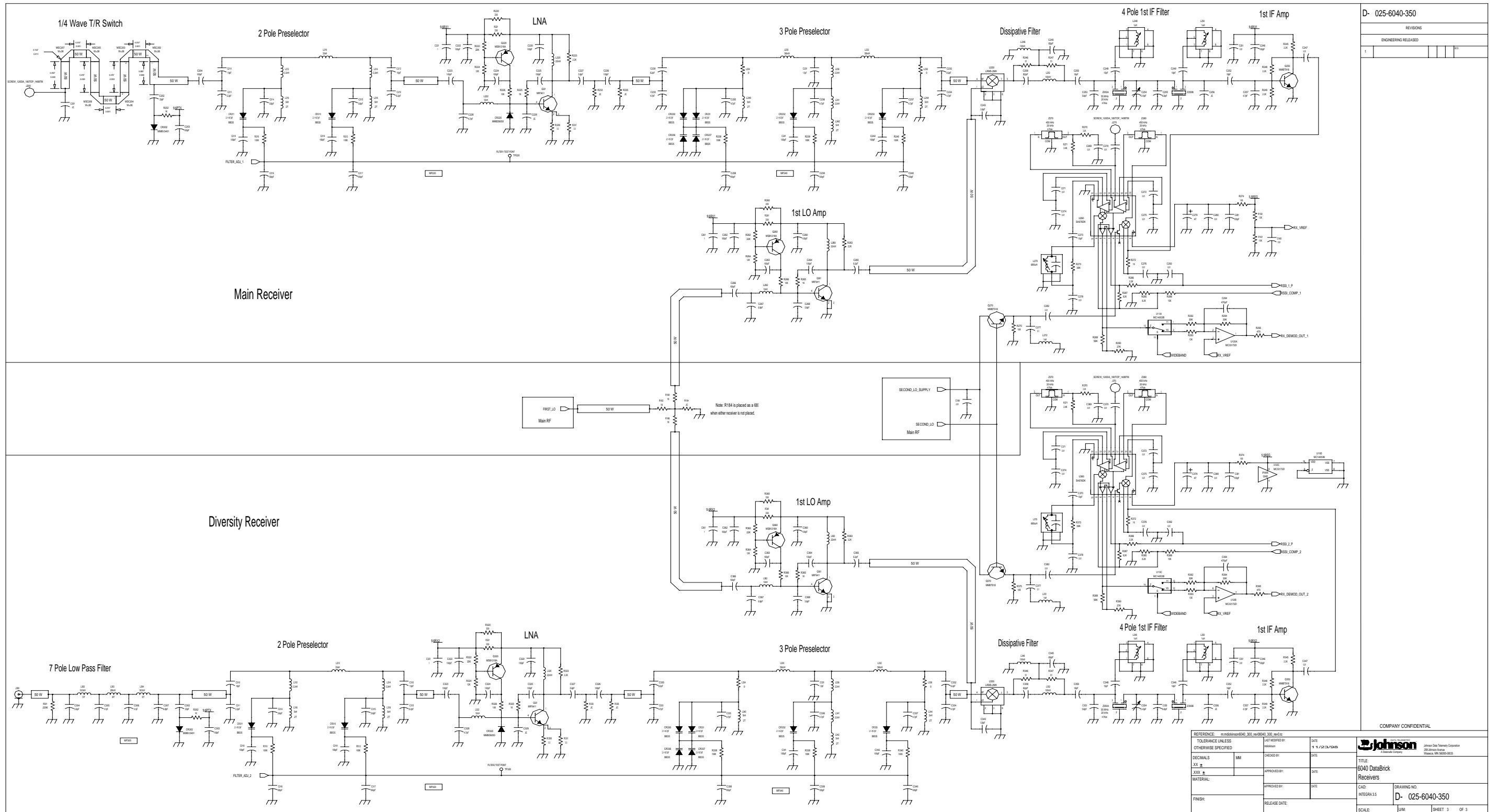
Contents

MDP Transceiver.....pag 2-4
Gemini Modem/loaderpag 5-8



D- 025-6040-350	
REVISIONS	
ENGINEERING RELEASED	
1	
COMPANY CONFIDENTIAL	

REFERENCE: m000000000000_000_m00000_000_m0011	DATE: 11/17/2014	Johnson Data Systems Corporation 200 Johnson Avenue Waltham, MA 02455-0001
TOLERANCE UNLESS OTHERWISE SPECIFIED	DESIGNED BY: [Name]	
DECIMALS: MM	DRAWN BY: [Name]	TITLE: 6040 DataBrick PowerControl
MATERIAL: [Material]	APPROVED BY: [Name]	CAD: INTEGRALIS
FINISH: [Finish]	RELEASE DATE: [Date]	DRAWING NO: D- 025-6040-350
SCALE: [Scale]		SHEET 1 OF 3

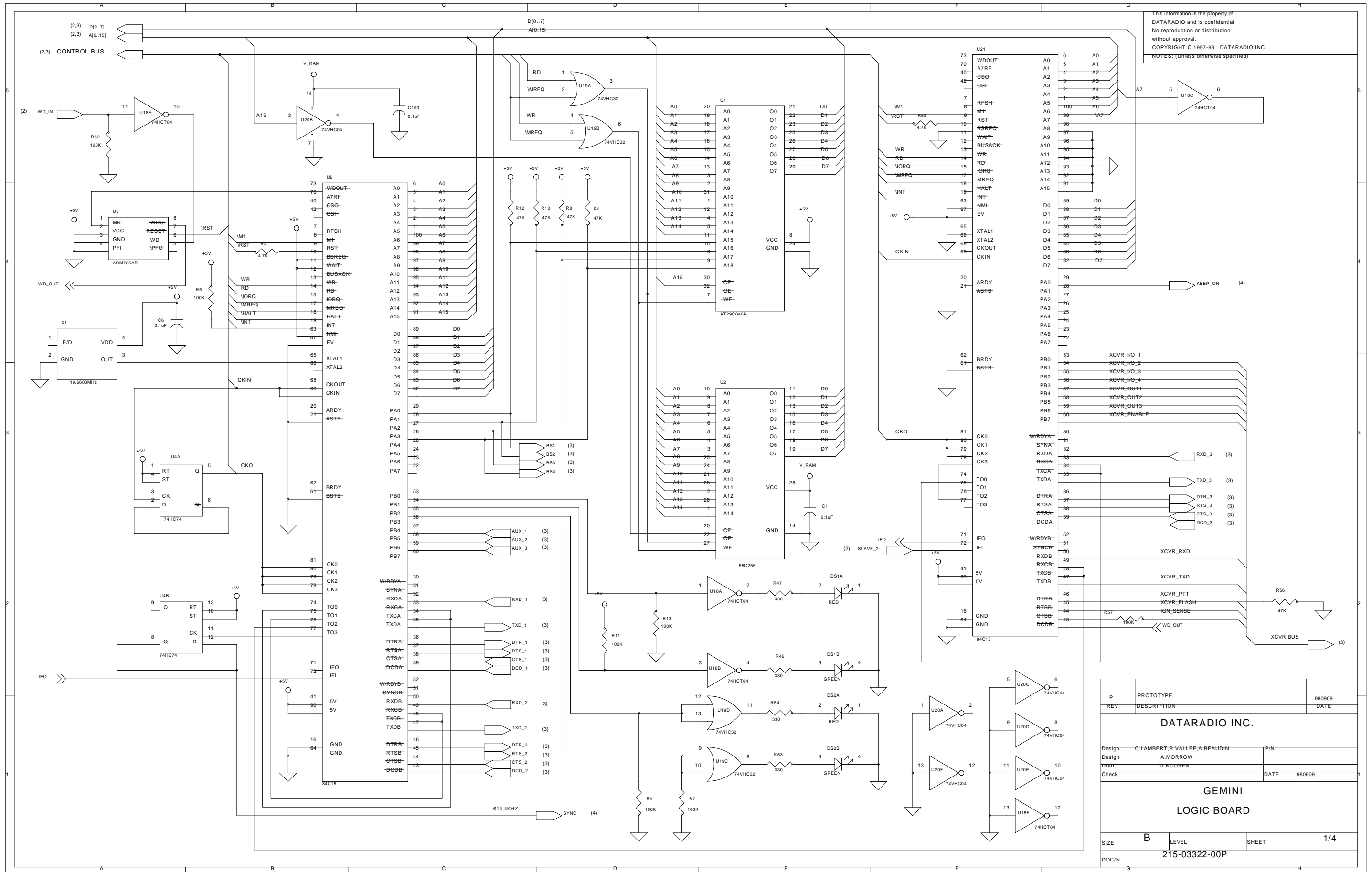


D- 025-6040-350

REVISIONS	
1	ENGINEERING RELEASED

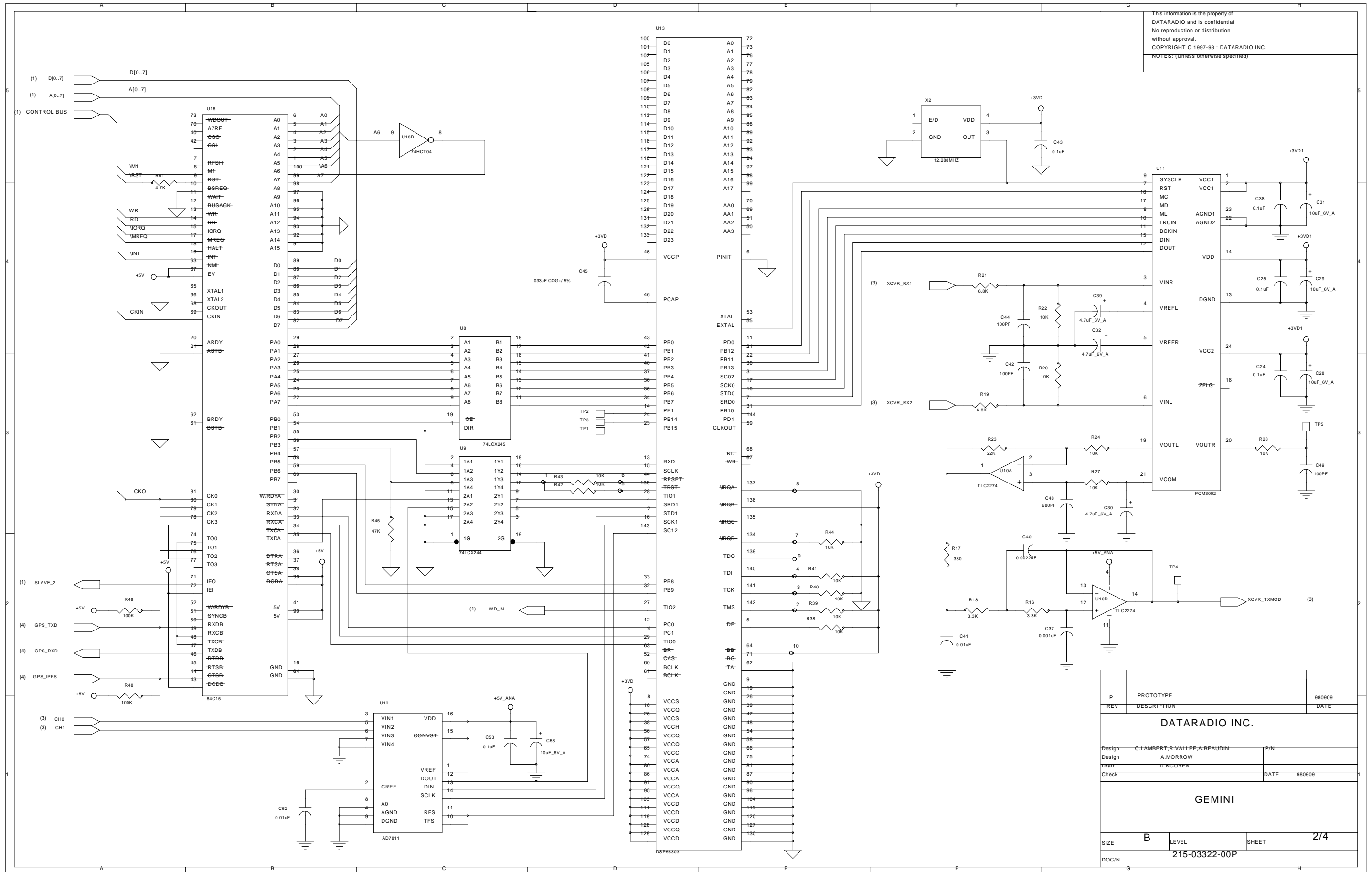
COMPANY CONFIDENTIAL

REFERENCE: m65kmm040_300_m0800_300_mv01s	DATE: 11/23/04	Johnson Data Technology Corporation 200 Johnson Drive Waltham, MA 02453-8833
TOLERANCE UNLESS OTHERWISE SPECIFIED	DESIGNED BY: [blank]	
DECIMALS: XX ±	MM	CHECKED BY: [blank]
MATERIAL: XXX ±		APPROVED BY: [blank]
FINISH:		RELEASE DATE: [blank]
		TITLE: 6040 DataBrick Receivers
		CAD: INTEGRIS 3.5
		DRAWING NO: D-025-6040-350
		SCALE: [blank] SHEET 3 OF 3



This information is the property of DATARADIO and is confidential. No reproduction or distribution without approval. COPYRIGHT C 1997-98 : DATARADIO INC. NOTES: (Unless otherwise specified)

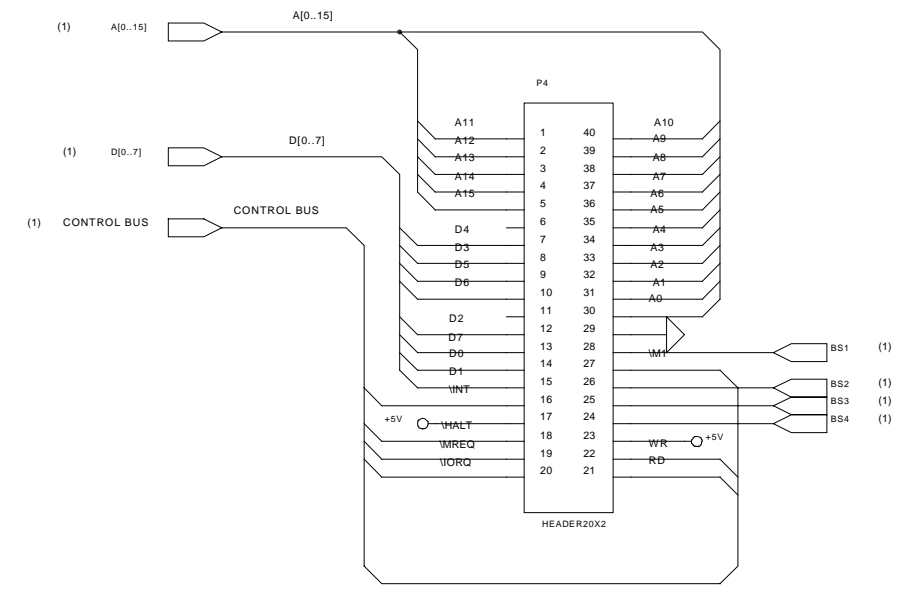
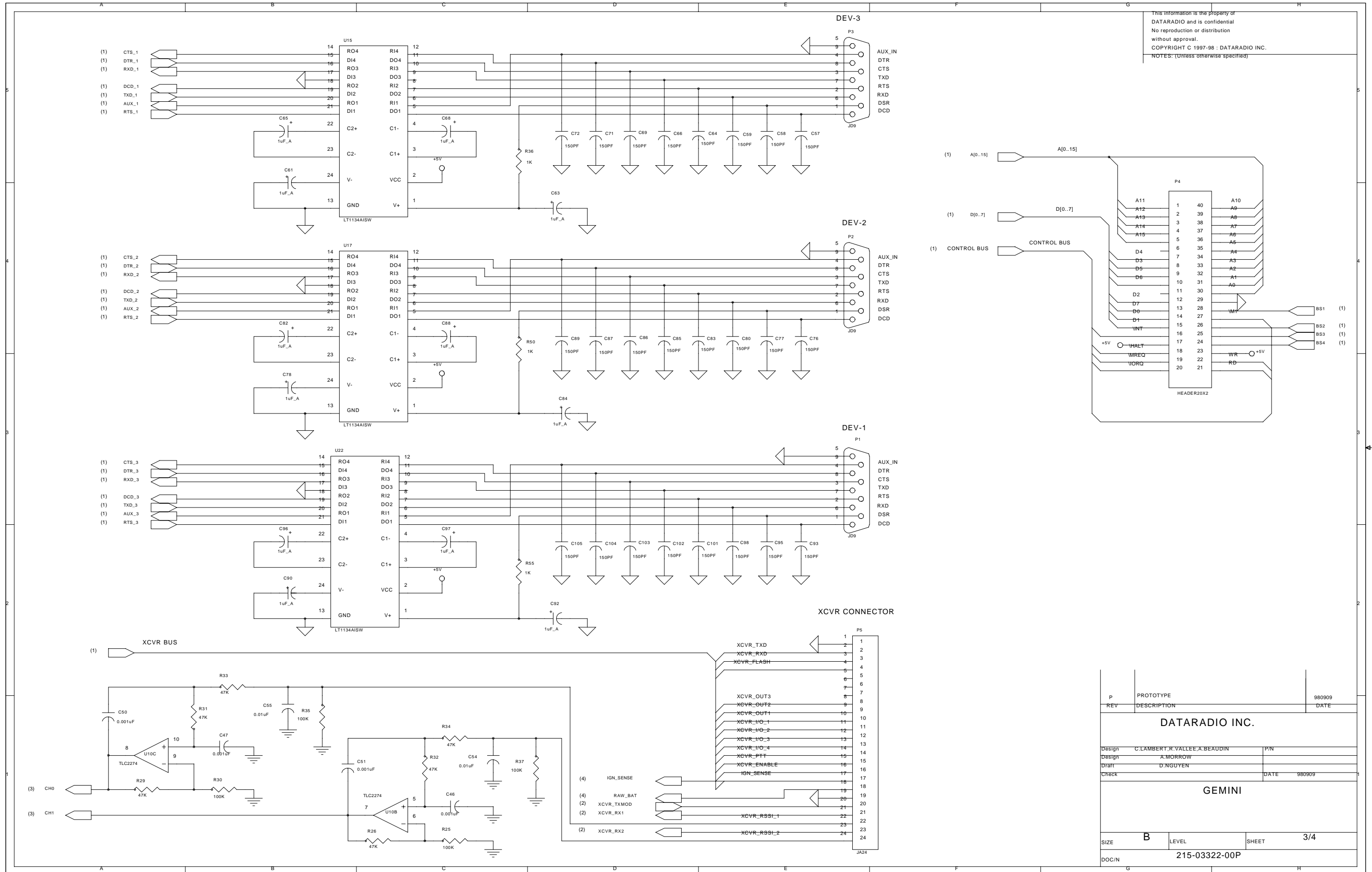
P	PROTOTYPE	980909
REV	DESCRIPTION	DATE
DATARADIO INC.		
Design	C. LAMBERT, R. VALLEE, A. BEAUDIN	P/N
Design	A. MORROW	
Draft	D. NGUYEN	DATE
Check		980909
GEMINI LOGIC BOARD		
SIZE	B	SHEET 1/4
DOC/N	215-03322-00P	



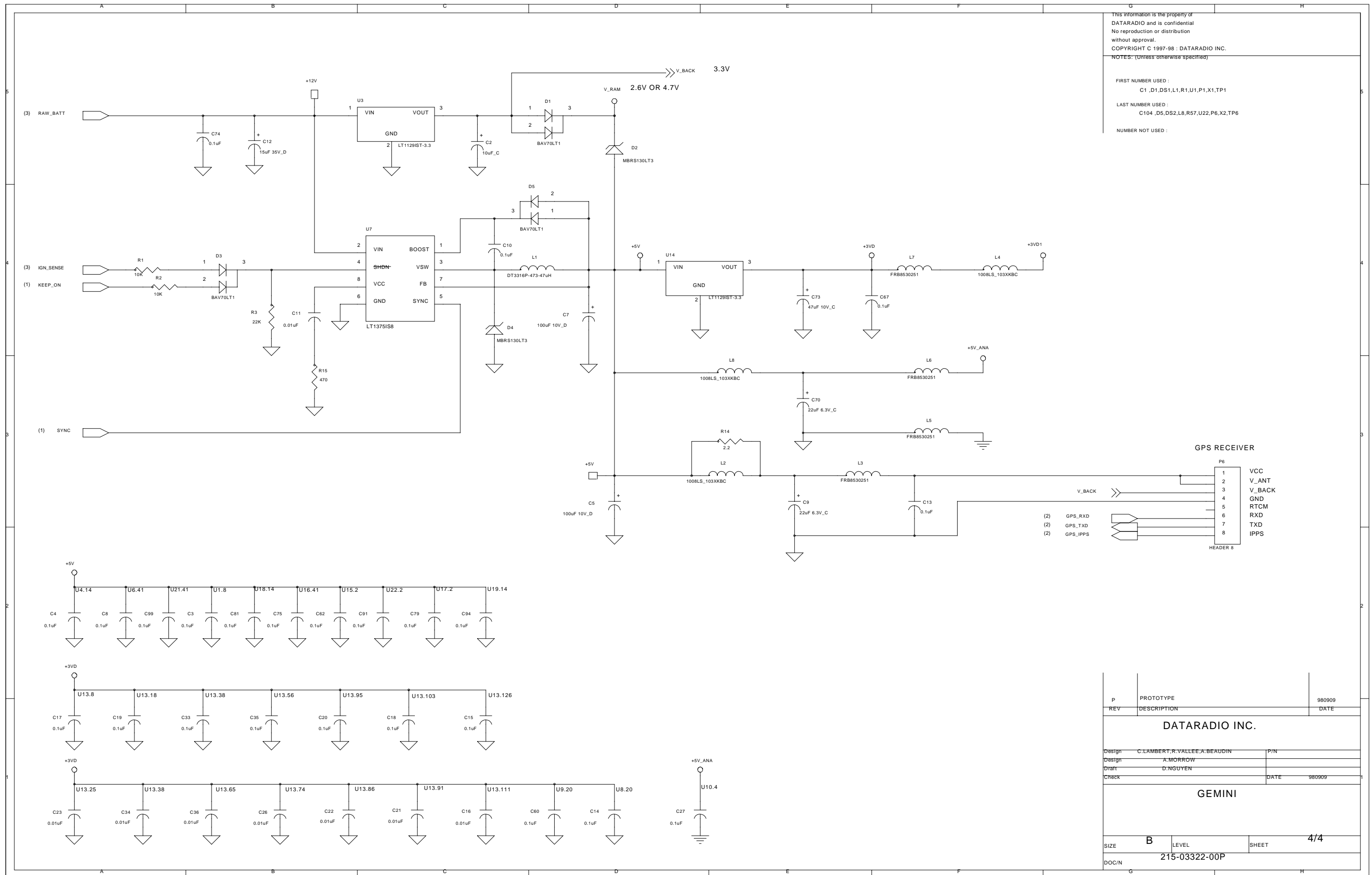
This information is the property of DATARADIO and is confidential. No reproduction or distribution without approval. COPYRIGHT C 1997-98 : DATARADIO INC. NOTES: (Unless otherwise specified)

P	PROTOTYPE	980909
REV	DESCRIPTION	DATE
DATARADIO INC.		
Design	C. LAMBERT, R. VALLEE, A. BEAUDIN	P/N
Design	A. MORROW	
Draft	D. NGUYEN	
Check		DATE 980909
GEMINI		
SIZE	B	SHEET 274
DOC/N	215-03322-00P	

This information is the property of DATARADIO and is confidential. No reproduction or distribution without approval. COPYRIGHT C 1997-98 : DATARADIO INC. NOTES: (Unless otherwise specified)



P	PROTOTYPE	980909
REV	DESCRIPTION	DATE
DATARADIO INC.		
Design	C.LAMBERT,R.VALLEE,A.BEAUDIN	P/N
Design	A.MORROW	
Draft	D.NGUYEN	
Check		DATE 980909
GEMINI		
SIZE	B	SHEET 3/4
DOC/N	215-03322-00P	



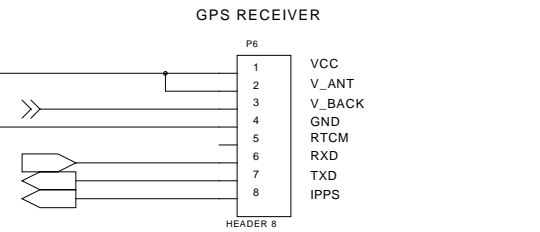
This information is the property of DATARADIO and is confidential. No reproduction or distribution without approval. COPYRIGHT C 1997-98 : DATARADIO INC.

NOTES: (Unless otherwise specified)

FIRST NUMBER USED : C1 ,D1,DS1,L1,R1,U1,P1,X1,TP1

LAST NUMBER USED : C104 ,DS2,L8,R57,U22,P6,X2,TP6

NUMBER NOT USED :



P	PROTOTYPE	980909
REV	DESCRIPTION	DATE
DATARADIO INC.		
Design	C.LAMBERT,R.VALLEE,A.BEAUDIN	P/N
Design	A.MORROW	
Draft	D.NGUYEN	
Check		DATE 980909
GEMINI		
SIZE	B	SHEET 4/4
DOC/N	215-03322-00P	