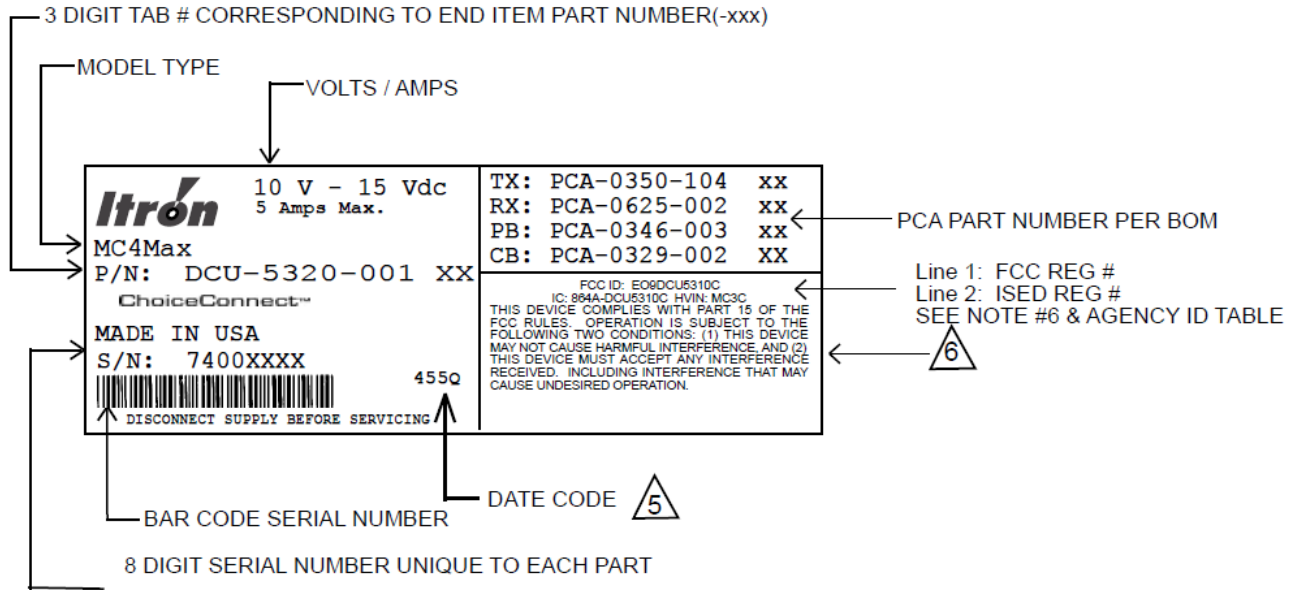


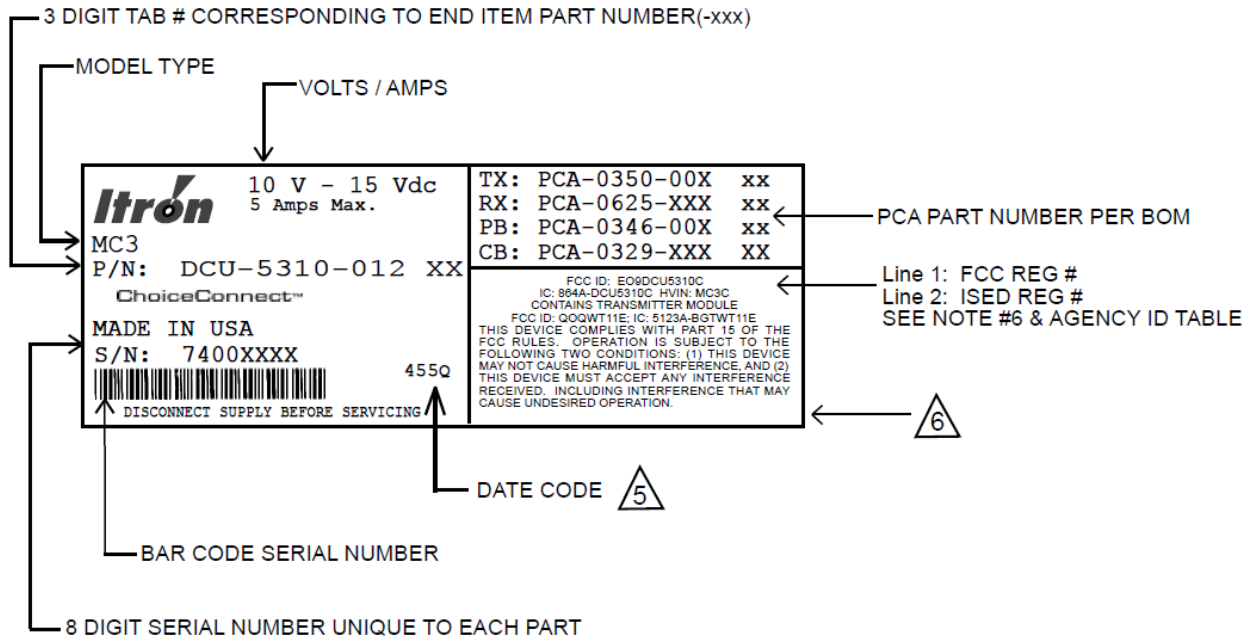
FCC ID: EO9DCU5310C, IC: 864A-DCU5310C – FCC / ISED Labels

Note: Labels are 4.0” L x 1.5” H.

1. MC3C Label (Model MC4Max) - FCC ID: EO9DCU5310C, IC: 864A-DCU5310C

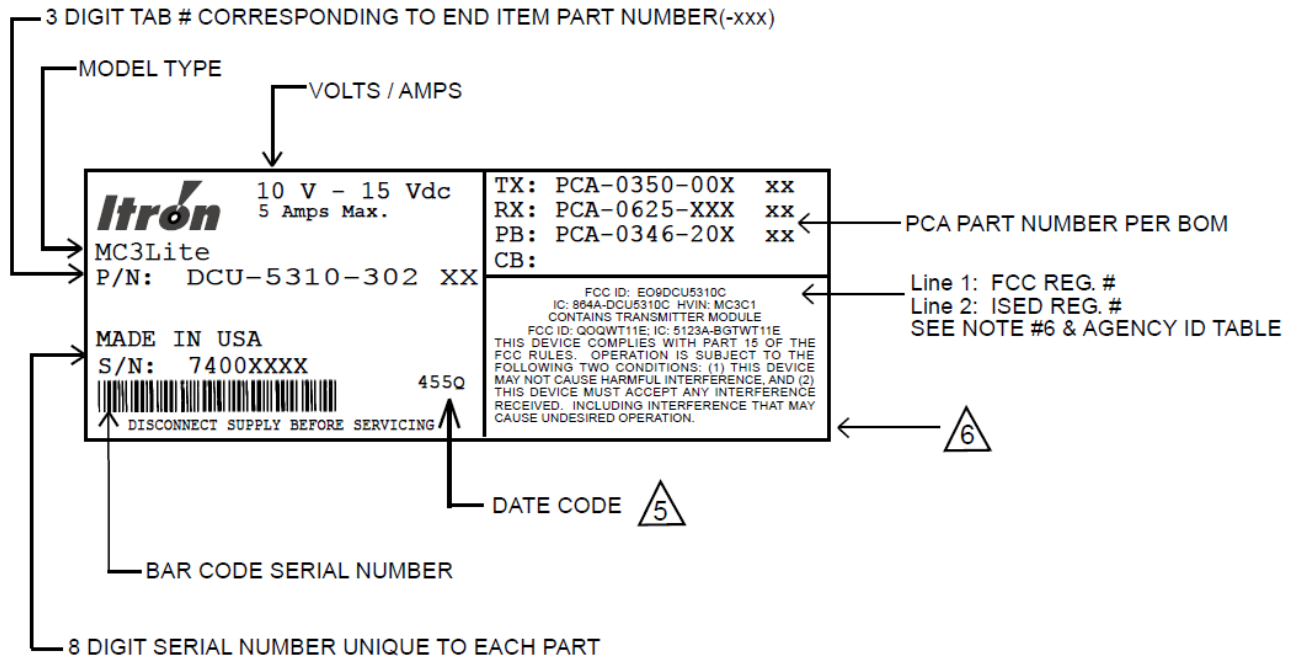


2. MC3C Label (Model MC3) - FCC ID: EO9DCU5310C, IC: 864A-DCU5310C



*Information on this example is for a reference only

3. MC3C1 Label - FCC ID: EO9DCU5310C, IC: 864A-DCU5310C



*Information on this example is for a reference only