

4

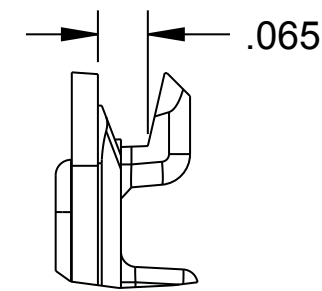
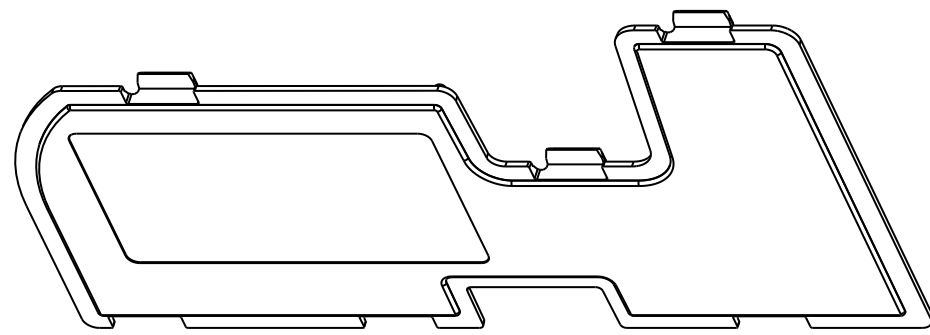
3

2

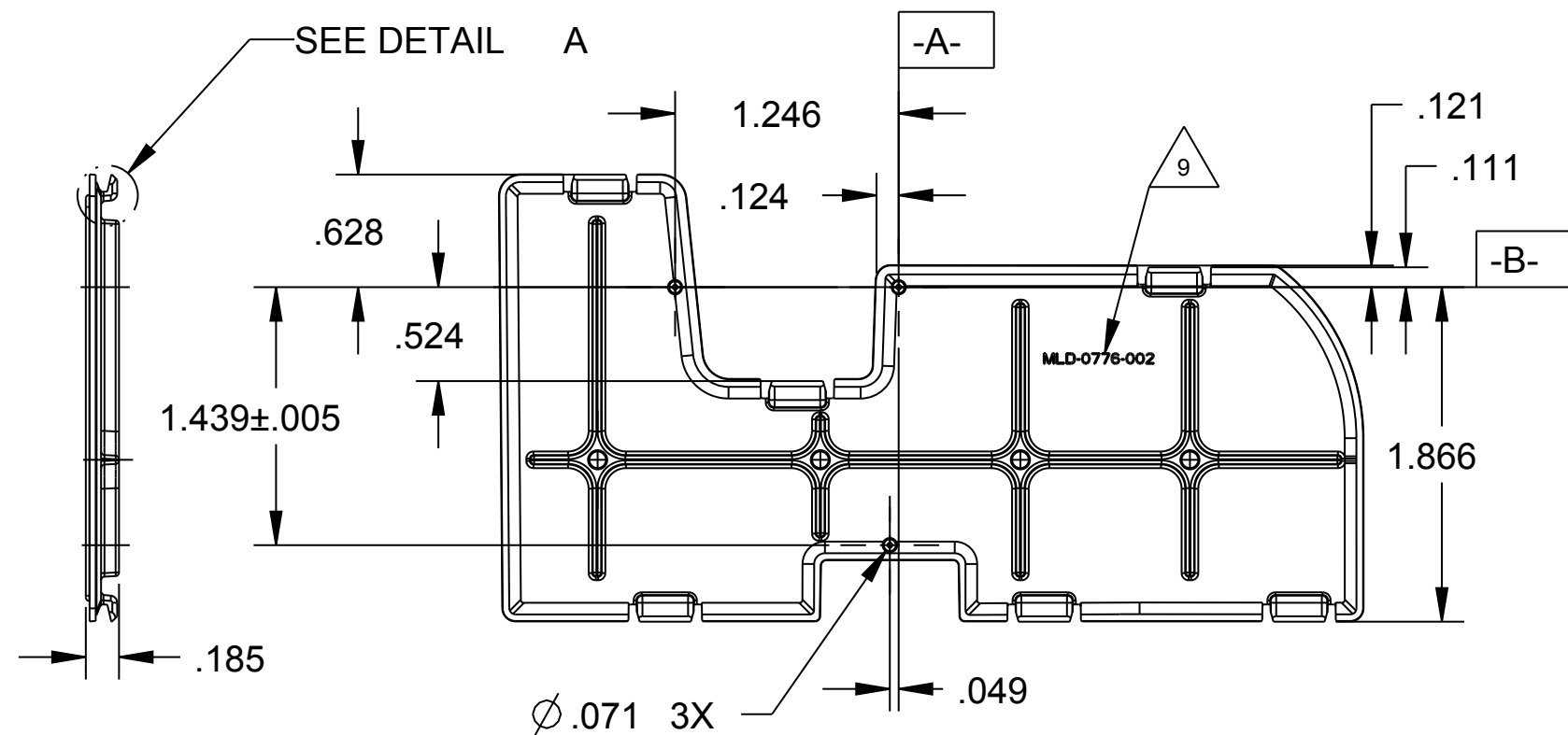
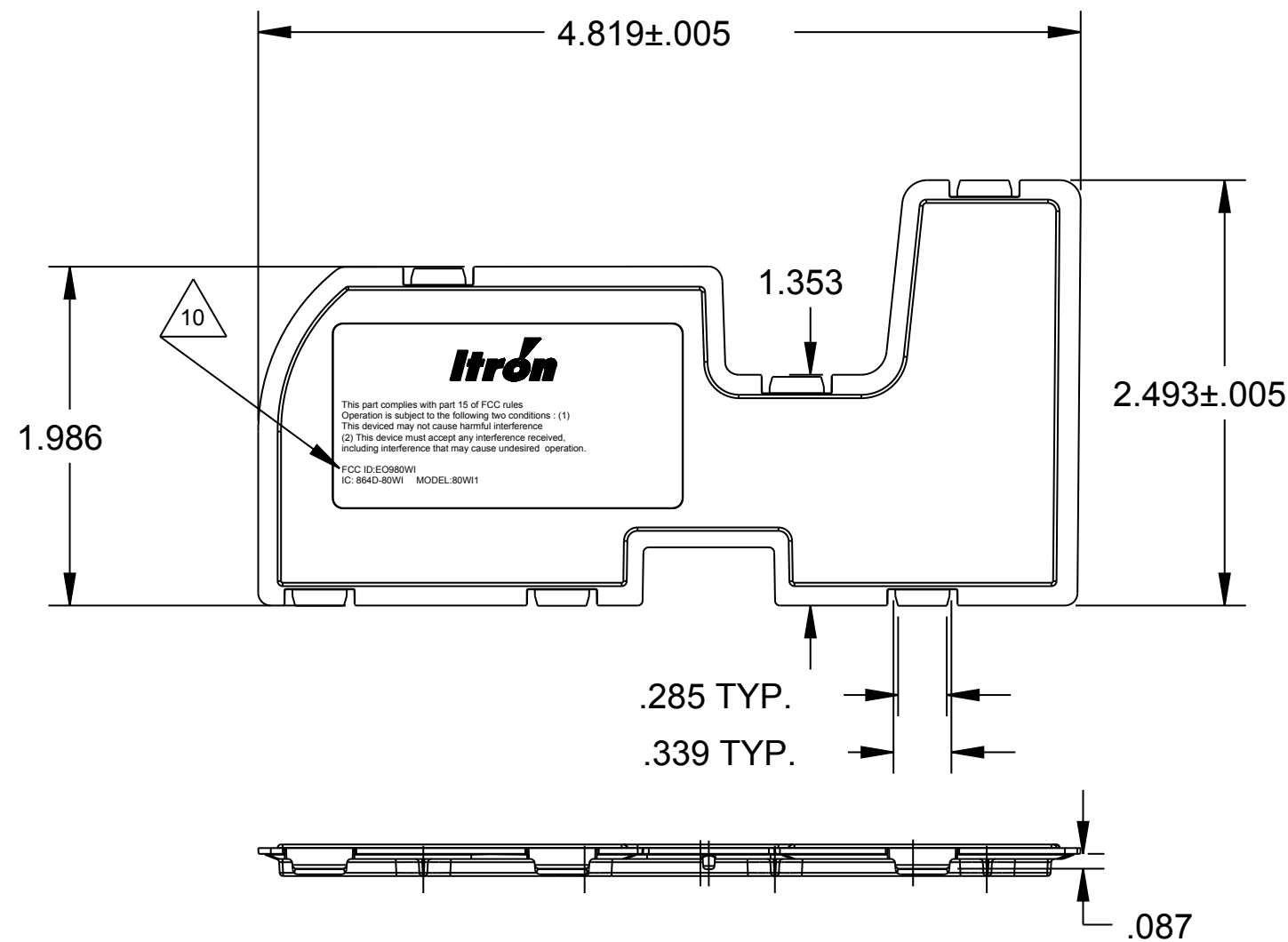
1

DRAWING NO.	REFERENCE
C- MLD-0776-002	

REV	CCO NO.	DESCRIPTION	DATE	APP'VD
001	W2100914	INITIAL RELEASE	1/21/09	DARREN WIEGAND



DETAIL A
SCALE 4/1



NOTES:

- MATERIAL: DOW CALIBRE 303-15 HC030322 WITH LANIER L7-0467-G COLORANT.
- SURFACE FINISH: UNLESS OTHERWISE SPECIFIED ALL SURFACES TO BE PER "COSMETIC SPECIFICATION OF INJECTION MOLDED PARTS" GRADE 2, SURFACE B.
- DRAFT: DETERMINED BY MODEL GEOMETRY UNLESS OTHERWISE SPECIFIED.
- DRAFT DECREASES FEATURE SIZE.
- TOLERANCES: .XX ± .01
.XXX UP TO 1" = ± .005
.XXX EACH ADDITIONAL INCH = ± .001
ANGLES TO BE ± 1° UNLESS OTHERWISE NOTED.
ALL DIMENSIONS SHOWN ARE CRITICAL TO THE DESIGN UNLESS NOTED OTHERWISE.
NO DEVIATION ALLOWED BEYOND GIVEN PRINT TOLERANCES.
- CORNERS SHOWN SHARP TO BE R. .015 MAX UNLESS OTHERWISE NOTED.
- FLASH AND BURRS TO BE .005 MAX UNLESS OTHERWISE NOTED.
- GATES, PARTING LINES, AND EJECTOR PIN LOCATIONS TO BE APPROVED BY ITRON MECHANICAL DESIGN ENGINEERING. EJECTOR PIN LOCATIONS TO BE FLUSH TO .010 MAX. DEPRESSED.
- REV NO. TO BE LOCATED ON REMOVABLE PIN. PART NO. AND VENDOR I.D. TO BE LOCATED APPROXIMATELY AS SHOWN. NOMENCLATURE TO BE RAISED .008 ABOVE THIS SURFACE AND CHARACTER HEIGHT TO BE .05 MIN./ .100 MAX.
- FCC INFORMATION PER ITRON ARTWORK TO BE LOCATED APPROXIMATELY AS SHOWN. TEXT TO BE RAISED .015 ABOVE SURFACE.

ITRON CONFIDENTIAL <small>Information contained herein is proprietary to Itron, Inc. If furnished with a proposal, the recipient shall use it solely to evaluate the proposal. Where furnished to a customer it shall be used solely for the purposes of inspection, installation, or maintenance. Where furnished to a supplier, it shall be used solely in the performance of work contracted for this company. The information shall not be used or disclosed by the recipient for any other purpose whatsoever.</small>	TOLERANCE UNLESS OTHERWISE SPECIFIED		DRAWN BY DARREN WIEGAND	DATE 1/9/09	
	INCHES .XX \triangle_5	MM	ENGINEER SHAWN SHOWCATELLY	DATE 1/9/09	
	.XXX \triangle_5		CHECKED BY PAUL WALKER	DATE 1/9/09	PRO- ENG. DRAWING NO. C-MLD-0776-002 SCALE 1/1 U/M IN. SHEET 1 OF
	MAT'L \triangle_1		APPROVED BY STEVE IVANCA	DATE 1/9/09	
	FINISH \triangle_2		RELEASE DATE 1/21/09		

4

3

2

1