

**Natural Gas Solutions**  
**100G Installation Guide**  
Revision B2

*Putting knowledge to work.*

## Identification

100G ERT Module Installation Guide

Part number: PUB-0200-001 Revision B2 12/07

ERT Part Numbers: ERG-5000-001, ERG-5000-002, ERG-5000-003, ERG-5000-004, ERG-5000-005, ERG-5000-007, ERG-5000-008

## Copyright

© 2007 Itron, Inc. All rights reserved.

Your company has the right to reproduce this contract document, provided that such reproduction shall be subject to the same use and disclosure restrictions contained in the Confidentiality and Non-Disclosure paragraphs in the Sales Contract.

## Applicable Patents

U.S. Patent Numbers: TBD

Canadian Patent Numbers: TBD

## Transportation Classification

The Federal Aviation Administration prohibits operating transmitters and receivers on all commercial aircraft. When powered, the 100G ERT Module is considered an operating transmitter and receiver and cannot be shipped by air. All product returns must be shipped by ground transportation.



**WARNING!** Only authorized Itron personnel should attempt repairs on Itron equipment. Attempts to do so by others might void any maintenance contract with your company. Unauthorized service personnel might also be subject to shock hazard on some Itron equipment if removal of protective covers is attempted.



**WARNING!** Substitution of components may impair intrinsic safety.



**WARNING!** To prevent ignition of flammable or combustible atmospheres, disconnect power before servicing.

## Compliance Statement

This device complies with Part 15 of the FCC Rules. Operation of this device is subject to the following two conditions:

- This device may not cause harmful interference.
- This device must accept any interference that may cause undesirable operation.

This device must be permanently mounted such that it retains a distance of 20 centimeters (7.9 inches) from all persons in order to comply with FCC RF exposure levels.

## Modification and Repairs

To ensure FCC compliance and system performance, this device and antenna shall not be changed or modified without the expressed approval of Itron. Any unauthorized modification will void the user's authority to operate the equipment.

## Meter Installation/Removal

In the event of malfunction, all repairs should be performed by Itron. It is the responsibility of users requiring service to report the need for service to Itron.



**WARNING!** Follow these procedures to avoid injury to yourself or others.

- The lithium battery may cause a fire or chemical burn if it is not disposed of properly.
- Do not recharge, disassemble, heat, or incinerate the lithium battery.
- Keep the lithium battery away from children.

## Related Documents

Endpoint-Link Endpoint Programming Guide (TDC-0744)

## Trademark Notice

Enscan, ERT, Itron, ReadOne, and Endpoint-Link are registered trademarks of Itron, Inc. All other product names and logos in this documentation are used for identification purposes only and may be trademarks or registered trademarks of their respective companies.

## Suggestions

If you have comments or suggestions on how we may improve this documentation, send them to [TechnicalCommunicationsManager@itron.com](mailto:TechnicalCommunicationsManager@itron.com).

If you have questions or comments about this application, contact Itron Technical Support:

### Itron, Inc.

- Mail: Itron, Inc. Attention: Customer Care, 2111 N Molter Road, Liberty Lake, WA 99019
- E-mail: [support@itron.com](mailto:support@itron.com)
- Phone: 1 800 635 8725

# Contents

---

<b>Chapter 1 Transmission Modes .....</b>	<b>5</b>
Specifications .....	5
Meter Compatibility List .....	6
<b>Chapter 2 American Meter Installation .....</b>	<b>13</b>
Installation Prerequisites .....	13
Materials Supplied by Itron .....	13
Materials Supplied By You .....	13
Replacement Screws .....	14
Preinstallation Preparations .....	14
Installing the 100G ERT Module .....	14
Remove the Index .....	14
Assemble the ERT Module .....	17
Program the ERT Module .....	22
Attach the ERT Module to the Meter .....	23
<b>Chapter 3 Sensus Meter Installation .....</b>	<b>29</b>
Installation Prerequisites .....	29
Materials Supplied by Itron .....	29
Materials Supplied By You .....	29
Replacement Screws .....	29
Preinstallation Preparations .....	30
Installing the 100G ERT Module .....	30
Remove the Existing Index .....	30
Assemble the ERT Module .....	32
Program the ERT .....	35
Attach the ERT to the Meter .....	36
<b>Chapter 4 Actaris Meter Installation .....</b>	<b>41</b>
Installation Prerequisites .....	41
Materials Supplied by Itron .....	41
Materials Supplied By You .....	41
Replacement Screws .....	42
Preinstallation Preparations .....	42
Installing the 100G ERT Module .....	42
Remove the Index .....	42
Assemble the ERT Module .....	44
Program the ERT .....	47
Attach the ERT Module to the Meter .....	48
Attaching the ERT Module to Flat-faced Model 1A Meters .....	50

<b>Chapter 5 American/Actaris Commercial Meter Installation.....</b>	<b>55</b>
Installation Prerequisites .....	55
Materials Supplied by Itron .....	55
Materials Supplied By You .....	56
Replacement Screws .....	56
Preinstallation Preparations .....	56
Installing the 100G ERT Module .....	57
Program the ERT .....	61
Installing 100G ERT Module on Actaris .....	69
<b>Chapter 6 National/Lancaster Meter Installation.....</b>	<b>73</b>
Index Compatibility .....	73
Installation Prerequisites .....	73
Materials Supplied By Itron .....	73
Materials Supplied By You .....	73
Replacement Screws .....	73
Preinstallation Preparations .....	74
Installing the 100G ERT Module .....	74
Program the ERT .....	79

## CHAPTER 1

The 100G is Itron's latest gas encoder-receiver-transmitter (ERT®) module.

ERT modules are radio-frequency (RF) devices that transmit meter data. The RF meter data can be received by a reading device that is within transmission distance of the ERT. Itron's 100G ERT module has increased output power over legacy gas ERT modules for increased RF transmission distance.

This installation guide shows you how to install the 100G ERT Module on meters from a variety of manufacturers. To ensure you have a meter that is compatible with the 100G ERT Module, refer to the [Meter Compatibility List](#) on page 6.

### Transmission Modes

Once installed, the 100G ERT module has three available transmission modes:

- **Fixed Network Mode** In this mode, a 100G ERT module transmits a high-powered RF message every 60 seconds. Output power in this mode is 250 milliwatts or +24dBm; expected battery life is 20 years.
- **Mobile and Handheld Mode** In this mode, a 100G ERT module transmits a medium-powered RF message every 15 seconds. Output power in this mode is 10 milliwatts or +10dBm; expected battery life is 20 years.
- **(Optional) Hard to Read Mobile and Handheld Mode** In this mode, a 100G ERT module transmits a high-powered RF message every 30 seconds. Output power in this mode is 250 milliwatts or +24dBm; expected battery life decreases to 15 years in this mode, however. The *Hard to Read Mobile and Handheld Mode* should only be used for 100G ERT modules that are difficult to read under normal conditions, such as modules installed on roof tops or in sub-basements.

An FCC license is not required to read 100G ERT modules.

### Specifications

The functional and operational specifications for the 100G are listed below.

<b>Functional Specifications</b>	<b>Description</b>
<b>Power Source</b>	Two "A" cell lithium batteries
<b>Tamper Detection</b>	Tilt tamper and magnetic tamper
<b>FCC Compliance</b>	Part 15 certified
<b>Industry Canada Compliance</b>	RSS-210 certified
<b>Measurement Canada Approval</b>	Yes
<b>Intrinsically Safe per</b>	UL Class I, Division 1, Groups C and D
<b>Product Identification</b>	Numeric and barcoded ERT module type and serial number

<b>Functional Specifications</b>	<b>Description</b>
<b>Construction Materials</b>	Gray polycarbonate back plate with Santoprene® gasket; clear polycarbonate front cover; encapsulated electronics

<b>Operational Specifications</b>	<b>Description</b>
<b>Operating Temperatures</b>	-40° to 158° F (-40° to +70° C)
<b>Operating Humidity</b>	5 to 95percent relative humidity
<b>Program Frequency</b>	908 MHz
<b>Transmit Frequency</b>	Spread spectrum 908 to 924 MHz ISM band
<b>Data Integrity</b>	Verified in every data message

## Meter Compatibility List

The following meters are compatible with the 100G. Due to continuous research, product improvements, and enhancements, Itron reserves the right to change this list at any time.

To ensure you have the latest Meter Compatibility list available, contact your Itron representative.

<b>Mfg.</b>	<b>Model</b>	<b>Desc</b>	<b>Class</b>	<b>Comments</b>	<b>ERT Type</b>	<b>ERT Part No.</b>
American/ Canadian	W75AL		Residential	Aluminum case Meters Only	40GB 40GB PR* 100G	ERG-1006-501 ERG-1006-503 ERG-5000-001
American/ Canadian	AL-175		Residential	Aluminum case meters only	40GB 40GB PR* 100G	ERG-1006-501 ERG-1006-503 ERG-5000-001
American/ Canadian	AC-175		Residential	Aluminum case meters only	40GB 40GB PR* 100G	ERG-1006-501 ERG-1006-503 ERG-5000-001
American/ Canadian	AT-175		Residential	Aluminum case meters only	40GB 40GB PR* 100G	ERG-1006-501 ERG-1006-503 ERG-5000-001
American/ Canadian	ALC-175		Residential	Aluminum case meters only	40GB 40GB PR* 100G	ERG-1006-501 ERG-1006-503 ERG-5000-001
American/ Canadian	AT-210		Residential	Aluminum case meters only	40GB 40GB PR* 100G	ERG-1006-501 ERG-1006-503 ERG-5000-001
American/ Canadian	AL-225	Canada only	Residential	Aluminum case meters only	40GB 40GB PR* 100G	ERG-1006-501 ERG-1006-503 ERG-5000-001

American/ Canadian	AL-250		Residential	Aluminum case meters only	40GB 40GB PR* 100G	ERG-1006-501 ERG-1006-503 ERG-5000-001
American/ Canadian	AR-250		Residential	Aluminum case meters only	40GB 40GB PR* 100G	ERG-1006-501 ERG-1006-503 ERG-5000-001
American/ Canadian	AC-250		Residential	Aluminum case meters only	40GB 40GB PR* 100G	ERG-1006-501 ERG-1006-503 ERG-5000-001
American/ Canadian	AT-250		Residential	Aluminum case meters only	40GB 40GB PR* 100G	ERG-1006-501 ERG-1006-503 ERG-5000-001
American/ Canadian	AM-250		Residential	Aluminum case meters only	40GB 40GB PR* 100G	ERG-1006-501 ERG-1006-503 ERG-5000-001
American/ Canadian	AL-310		Residential	Aluminum case meters only	40GB 40GB PR* 100G	ERG-1006-501 ERG-1006-503 ERG-5000-001
American/ Canadian	AL-350		Residential	Aluminum case meters only	40GB 40GB PR* 100G	ERG-1006-501 ERG-1006-503 ERG-5000-001
American/ Canadian	AT-350		Residential	Aluminum case meters only	40GB 40GB PR* 100G	ERG-1006-501 ERG-1006-503 ERG-5000-001
American/ Canadian	AL-425		Residential	Aluminum case meters only	40GB 40GB PR* 100G	ERG-1006-501 ERG-1006-503 ERG-5000-001
American/ Canadian	AC-630		Residential	Aluminum case meters only	40GB 40GB PR* 100G	ERG-1006-501 ERG-1006-503 ERG-5000-001
American/ Canadian	5B 225	Aluminum case	Residential		40GB 40GB PR* 100G	ERG-1006-501 ERG-1006-503 ERG-5000-001
American/ Canadian	35B	Iron case	Commercial		40GB 100G	ERG-1006-515 ERG-5000-007
American/ Canadian	60B	Iron case	Commercial		40GB 100G	ERG-1006-515 ERG-5000-007
American/ Canadian	80B	Iron case	Commercial	Must have front reading index.	40GB 100G	ERG-1006-515 ERG-5000-007
American/ Canadian	250B	Iron case	Commercial		40GB 100G	ERG-1006-515 ERG-5000-007
American/ Canadian	500B	Iron case	Commercial		40GB 100G	ERG-1006-515 ERG-5000-007
American/ Canadian	AL800		Commercial	Aluminum case meters only	40GB 100G	ERG-1006-515 ERG-5000-007
American/ Canadian	AL1000		Commercial	Aluminum case meters only	40GB 100G	ERG-1006-515 ERG-5000-007

American/ Canadian	AL1400		Commercial	Aluminum case meters only	40GB 100G	ERG-1006-515 ERG-5000-007
American/ Canadian	AL2300		Commercial	Aluminum case meters only	40GB 100G	ERG-1006-515 ERG-5000-007
American/ Canadian	AL3000		Commercial	Aluminum case meters only	40GB 100G	ERG-1006-515 ERG-5000-007
American/ Canadian	AL5000		Commercial	Aluminum case meters only	40GB 100G	ERG-1006-515 ERG-5000-007
Sensus/Invensys/ Equimeter/Rockwell	R-175	11 Tooth	Residential	Compatible with 2 foot drive index; 1 foot drive has 24 teeth and is not compatible.	40GB 40GB PR* 100G	ERG-1006-504 ERG-1006-507 ERG-5000-002
Sensus/Invensys/ Equimeter/Rockwell	R-200	11 Tooth	Residential		40GB 40GB PR* 100G	ERG-1006-504 ERG-1006-507 ERG-5000-002
Sensus/Invensys/ Equimeter/Rockwell	RT-200	11 Tooth	Residential		40GB 40GB PR* 100G	ERG-1006-504 ERG-1006-507 ERG-5000-002
Sensus/Invensys/ Equimeter/Rockwell	RT-230	11 Tooth	Residential		40GB 40GB PR* 100G	ERG-1006-504 ERG-1006-507 ERG-5000-002
Sensus/Invensys/ Equimeter/Rockwell	R-275	11 Tooth	Residential		40GB 40GB PR* 100G	ERG-1006-504 ERG-1006-507 ERG-5000-002
Sensus/Invensys/ Equimeter/Rockwell	RT-275	11 Tooth	Residential		40GB 40GB PR* 100G	ERG-1006-504 ERG-1006-507 ERG-5000-002
Sensus/Invensys/ Equimeter/Rockwell	R-315	11 Tooth	Residential		40GB 40GB PR* 100G	ERG-1006-504 ERG-1006-507 ERG-5000-002
Sensus/Invensys/ Equimeter/Rockwell	250	11 Tooth	Residential		40GB 40GB PR* 100G	ERG-1006-504 ERG-1006-507 ERG-5000-002
Sensus/Invensys/ Equimeter/Rockwell	310	11 Tooth	Residential		40GB 40GB PR* 100G	ERG-1006-504 ERG-1006-507 ERG-5000-002
Sensus/Invensys/ Equimeter/Rockwell	S-110	11 Tooth	Residential		40GB 40GB PR* 100G	ERG-1006-504 ERG-1006-507 ERG-5000-002
Sensus/Invensys/ Equimeter/Rockwell	S-200	11 Tooth	Residential		40GB 40GB PR* 100G	ERG-1006-504 ERG-1006-507 ERG-5000-002
Sensus/Invensys/ Equimeter/Rockwell	S-175	11 Tooth	Residential		40GB 40GB PR* 100G	ERG-1006-504 ERG-1006-507 ERG-5000-002
Sensus/Invensys/ Equimeter/Rockwell	RT-100	18 Tooth	Residential		40GB 40GB PR* 100G	ERG-1006-504 ERG-1006-507 ERG-5000-002



Sensus/Invensys/ Equimeter/Rockwell	S-190	11 Tooth	Residential		40GB 40GB PR* 100G	ERG-1006-504 ERG-1006-507 ERG-5000-002
Sensus/Invensys/ Equimeter/Rockwell	S-120	11 Tooth	Residential		40GB 40GB PR* 100G	ERG-1006-504 ERG-1006-507 ERG-5000-002
Sensus/Invensys/ Equimeter/Rockwell	T-120	11 Tooth	Residential		40GB 40GB PR* 100G	ERG-1006-504 ERG-1006-507 ERG-5000-002
Sensus/Invensys/ Equimeter/Rockwell	T-110	11 Tooth	Residential		40GB 40GB PR* 100G	ERG-1006-504 ERG-1006-507 ERG-5000-002
Sensus/Invensys/ Equimeter/Rockwell	R-415	18 Tooth	Residential		40GB 40GB PR* 100G	ERG-1006-505 ERG-1006-509 ERG-5000-004
Sensus/Invensys/ Equimeter/Rockwell	RT-360	18 Tooth	Residential		40GB 40GB PR* 100G	ERG-1006-505 ERG-1006-509 ERG-5000-004
Sensus/Invensys/ Equimeter/Rockwell	MR8 (R- 275 Metric)	16 Tooth	Residential		40GB 40GB PR* 100G	ERG-1006-506 ERG-1006-508 ERG-5000-003
Sensus/Invensys/ Equimeter/Rockwell	MR12 (R- 415 Metric)	16 Tooth	Residential		40GB 40GB PR* 100G	ERG-1006-506 ERG-1006-508 ERG-5000-003
National/ Lancaster	175		Residential	Sprague/Schlumberger / Actaris Direct Read indexes can not be used	40GB 100G	ERG-1006-512 ERG-5000-006
National/ Lancaster	U175 UL175		Residential	Sprague/Schlumberger / Actaris Direct Read indexes can not be used	40GB 100G	ERG-1006-512 ERG-5000-006
National/ Lancaster	250		Residential	Sprague/Schlumberger / Actaris Direct Read indexes can not be used	40GB 100G	ERG-1006-512 ERG-5000-006
Schlumberger/ Sprague	175	3 Hole index box	Residential	Index boxes with 3 mounting holes	40GB 40GB PR* 100G	ERG-1006-511 ERG-1006-513 ERG-5000-005
Schlumberger/ Sprague	175 WC	3 Hole index box	Residential	Index boxes with 3 mounting holes	40GB 40GB PR* 100G	ERG-1006-511 ERG-1006-513 ERG-5000-005
Schlumberger/ Sprague	175 Combination	3 Hole index box	Residential	Index boxes with 3 mounting holes	40GB 40GB PR* 100G	ERG-1006-511 ERG-1006-513 ERG-5000-005
Schlumberger/ Sprague	210		Residential		40GB 40GB PR* 100G	ERG-1006-511 ERG-1006-513 ERG-5000-005

Schlumberger/ Sprague	240	Canadian Version of 250	Residential		40GB 40GB PR* 100G	ERG-1006-511 ERG-1006-513 ERG-5000-005
Schlumberger/ Sprague	240 Combin- ation		Residential		40GB 40GB PR* 100G	ERG-1006-511 ERG-1006-513 ERG-5000-005
Schlumberger/ Sprague	240		Residential		40GB 40GB PR* 100G	ERG-1006-511 ERG-1006-513 ERG-5000-005
Schlumberger/ Sprague	240	1 Hole Cover	Residential	Requires Itron 1A Adapter P/N CFG- 0015-001Kit	40GB 40GB PR* 100G	ERG-1006-511 + CFG-0015-001 ERG-1006-513 + CFG-0015-001 ERG-5000-005 + CFG-0015-001
Schlumberger/ Sprague	240	2 Hole Cover	Residential	40GB Requires Itron 2 Hole Cover. P/N MLD-0003-031	40GB 40GB PR* 100G	ERG-1006-511 ERG-1006-513 ERG-5000-005
Schlumberger/ Sprague	250		Residential		40GB 40GB PR* 100G	ERG-1006-511 ERG-1006-513 ERG-5000-005
Schlumberger/ Sprague	250 WC		Residential		40GB 40GB PR* 100G	ERG-1006-511 ERG-1006-513 ERG-5000-005
Schlumberger/ Sprague	250 Combin- ation		Residential		40GB 40GB PR* 100G	ERG-1006-511 ERG-1006-513 ERG-5000-005
Schlumberger/ Sprague	1A		Residential	Requires Itron 1A adapter kit, CFG- 0015-001.	40GB 40GB PR* 100G	ERG-1006-511 + CFG-0015-001 ERG-1006-513 + CFG-0015-001 ERG-5000-005 + CFG-0015-001
Actaris/ Schlumberger	METRIS 250	3 Hole Index Box	Residential	Index boxes with 3 mounting holes Slant-faced	40GB 40GB PR* 100G	ERG-1006-511 ERG-1006-513 ERG-5000-005
Schlumberger/ Sprague	400		Residential	Slant-faced	40GB 40GB PR* 100G	ERG-1006-511 ERG-1006-513 ERG-5000-005
Actaris/ Schlumberger	400A		Residential	Slant-faced	40GB 40GB PR* 100G	ERG-1006-511 ERG-1006-513 ERG-5000-005
Actaris/ Schlumberger	675A		Commercial	Requires Actaris adapter p/n 80005901; purchase from Actaris	40GB 100G	ERG-1006-515 ERG-5000-007
Actaris/ Schlumberger	800A		Commercial	Requires Actaris adapter p/n 80005901; purchase from Actaris	40GB 100G	ERG-1006-515 ERG-5000-007

Actaris/ Schlumberger	1000A		Commercial	Requires Actaris adapter p/n 80005901; purchase from Actaris	40GB 100G	ERG-1006-515 ERG-5000-007
-----------------------	-------	--	------------	--	--------------	------------------------------

\* PR — Passive Radiator



## CHAPTER 2

# American Meter Installation

---

This chapter shows you how to install a 100G ERT Module on an American meter.

Before installing the 100G ERT Module, verify that you have:

- A compatible meter shown in the Meter Compatibility List.
- A compatible index. Itron 100G ERT Modules can be used with standard dial and direct read (odometer) indexes.
- The list of materials defined under Installation Prerequisites in this chapter.

## Installation Prerequisites

The following items are required to install the Itron 100G ERT Module.

### Materials Supplied by Itron

The following items are supplied by Itron:

- 100G ERT Modules
- New tamper seals

### Materials Supplied By You

You must supply the following items to install, initialize, and check the 100G ERT Module on the meter.

- **Small and medium flat-blade or Phillips screwdrivers** Used to remove and tighten index and index-cover screws.
- **Side-cutting plier/wire snips** Used for cutting wire seals, if necessary.
- **Small putty knife** Used to remove all traces of old gaskets from the meter.
- **Meter seals, wire seals, and seal press** Used to secure the meter from tampering, if necessary.
- **11/32-inch nut driver or other blunt tool** Used to securely seat new tamper plugs over screw holes.
- **Replacement screws** Used to mount 100G ERT Module assembly to meter and index to module assembly backplates.
- **FC200SR with EndPoint-Link or EndPoint-Link Pro software** Used to program and check ERT assembly.

## Replacement Screws

Replacement screws used in this procedure are shown below.

For mounting 100G ERT Module assemblies on meters:

- Use 1/4 - 20 x 5/8-inch slotted, Fillister head screws.

For mounting indexes on 100G ERT Module backplates:

- Use 8 - 32 x 3/16-inch slotted, round head screws.

## Preinstallation Preparations

Before installing the 100G ERT Module on a meter, verify that:

- All Itron gas modules are 100G ERT Modules for your brand of gas meters.
- The model numbers of all meters on which the 100G ERT Modules will be installed are included in the Meter Compatibility List.

## Installing the 100G ERT Module

There are four major steps to installing the 100G ERT Module on a meter:

- Remove the index
- Assemble the 100G ERT Module
- Program the 100G ERT Module
- Attach the 100G ERT Module to the meter.



**NOTE** Properly dispose of all unused screws, old index covers, gaskets, tamper seals, and other left-over materials. Do not leave any materials on customer premises.

## Remove the Index

The first major step when installing a 100G ERT Module on an meter is to remove the index from the meter.

### *To remove the index*

1. Remove any tamper seals from the meter.

2. Detach the index cover from the meter by removing the four screws holding it in place.



3. Examine the index cover screws you just removed. Verify that they are 5/8-inch long and are not corroded.
  - If the screws are 5/8-inch long, and are not corroded, keep them for later use.
  - If the screws are an incorrect length or are corroded, dispose of them properly. Use 1/4 - 20 x 5/8-inch screws as described in [Replacement Screws](#) on page 14 instead.



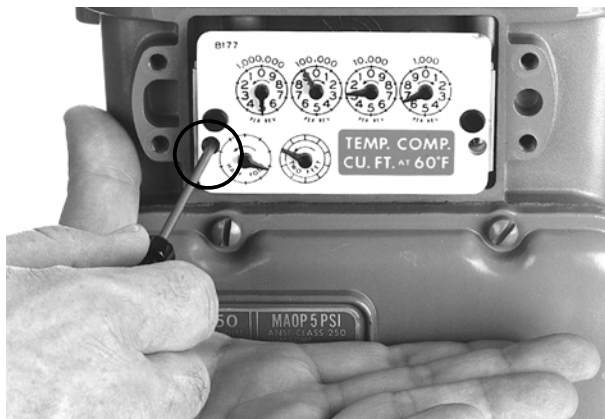
**TIP** You can use the index cover you just removed as a temporary storage location for screws.



**NOTE** Dispose of the index cover properly when finished with the installation procedure. Do not leave it on customer premises.

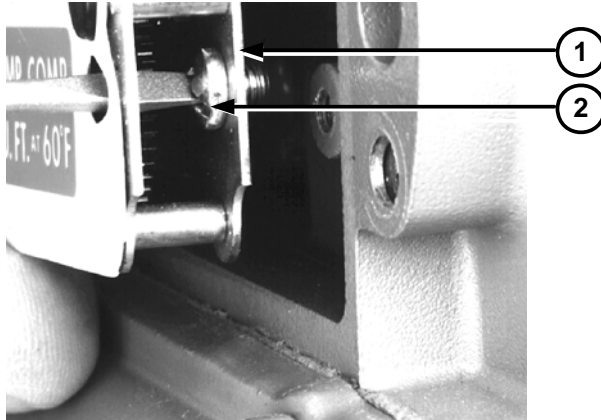
4. Unscrew one index mounting screw completely.

Hold one hand beneath the index to catch the screw when it falls out of the index assembly. If it does not fall out by itself, be sure to remove it.

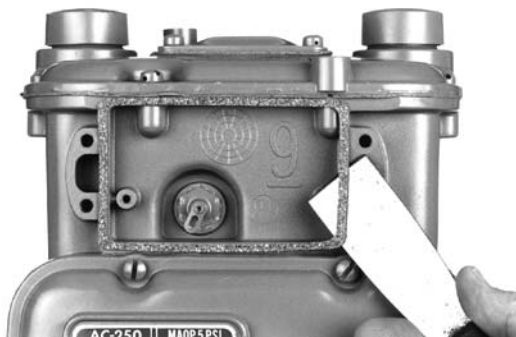


5. Unscrew the other index mounting screw.

While removing this screw, pull the index away from the meter to keep its backplate (1) against the back of the screwhead (2). This prevents the screw from falling out prematurely.



6. Remove the screw from the index once it is completely free of its hole.
7. Set the index aside for the moment. Place it where it will not be damaged; get filled with dirt, rain, or snow; or fall to the ground or floor. The index will be used later in this procedure.
8. Examine the index screws you just removed. Verify that they are 3/16-inch long and are not corroded.
  - If the screws are 3/16-inch long and are not corroded, keep them for later use.
  - If the screws are an incorrect length or are corroded, dispose of them properly. Use 8 - 32 x 3/16-inch screws as described in [Replacement Screws](#) on page 14 instead.
9. Use a putty knife or similar object to completely remove the old index gasket from the meter (if applicable). All traces of the gasket must be removed before the ERT can be installed.



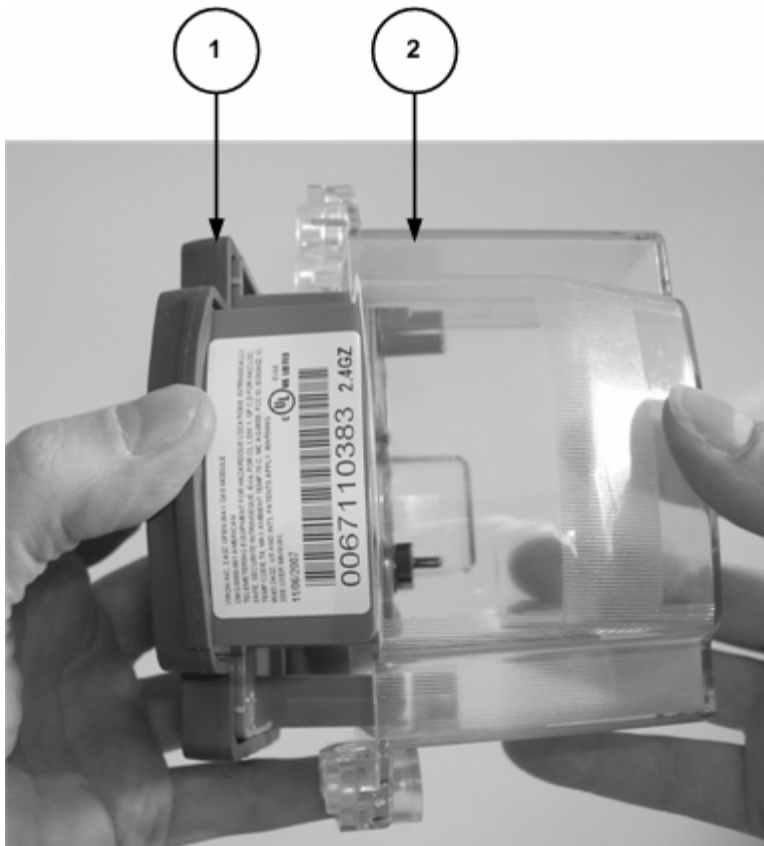


## Assemble the ERT Module

When installing a 100G ERT Module, the next major step is to create the endpoint module assembly by combining the endpoint backplate and cover with the meter index. Follow the procedure below to do so.

### To assemble the ERT module

1. Obtain a new 100G ERT Module.
2. Separate the ERT module backplate (1) from the cover (2).

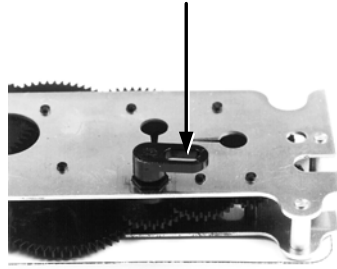


3. Set the new ERT index cover aside for the moment. Place it where it will not be damaged; get filled with dirt, rain, or snow; or fall to the ground or floor. The ERT index cover will be used later in this procedure.

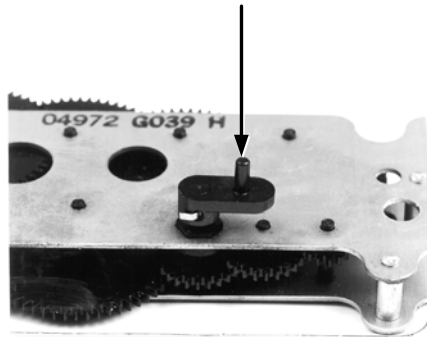


**IMPORTANT** Before continuing with the installation, note the following information about American Meter indexes:

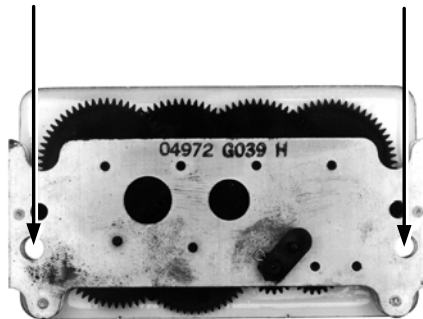
- Index wrigglers on one-foot meters have drive slots.



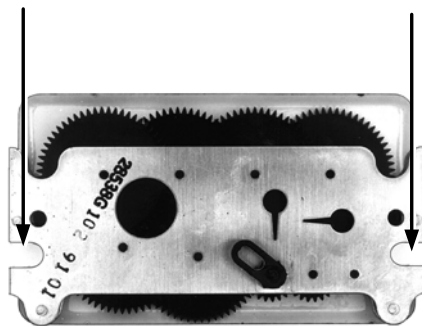
- Index wrigglers on two-foot meters have drive posts.



- An index may have mounting screw holes.



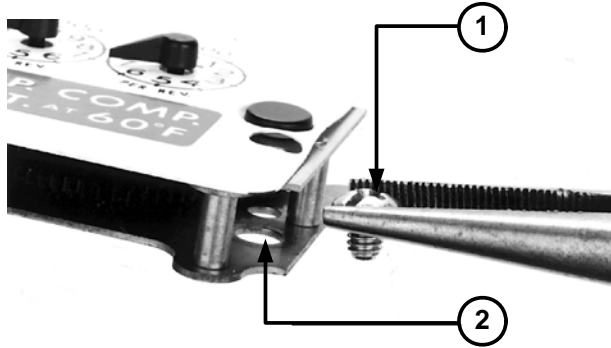
- An index may have mounting screw slots.



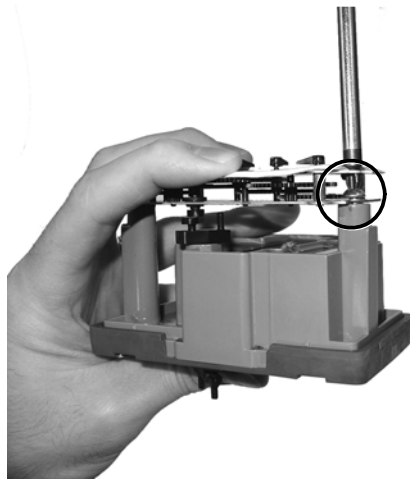
If the index has mounting screw *slots*, skip steps 4 and 5 below. Continue with step 6.

If the index has mounting screw *holes*, perform steps 4 and 5 below, and then skip steps 6 and 7.

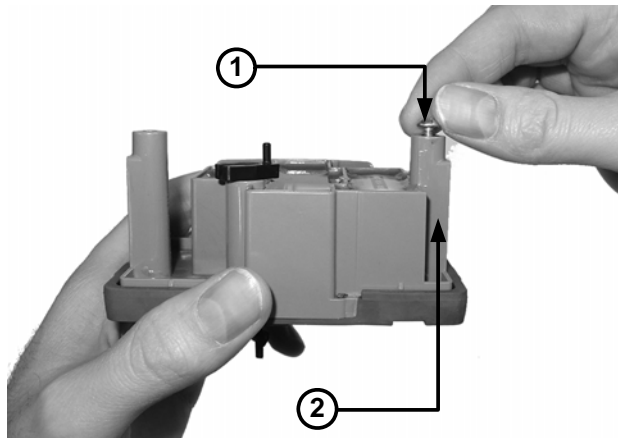
4. If the index has mounting screw *holes*, place an index mounting screw (1) in the right-hand mounting screw hole (2). Use one 8 - 32 3/16-inch screw for this step (you can use an original mounting screw if it was the correct size and not corroded; otherwise, use the correct size replacement screw).



5. Attach the screw to the ERT backplate's right-hand index mounting post just far enough to hold the screw and end of the index in place.



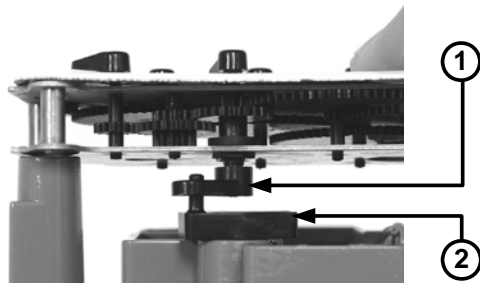
6. If the index has mounting screw *slots*, screw an index mounting screw (1) one to two turns into the ERT backplate's right-hand index mounting post (2). Use one 8 - 32 x 3/16-inch screw for this step (you can use an original mounting screw if it was the correct size and not corroded; otherwise, use the correct size replacement screw).



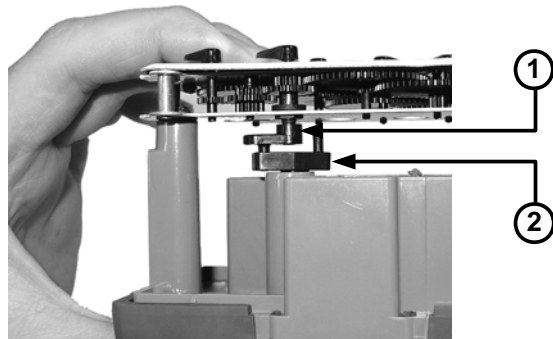
7. Place the index mounting screw slot under the screw head. *Do not* tighten the screw yet.



8. Attach the wiggler to the index and backplate.
- If the index wiggler has a drive slot (1), place the backplate wiggler's drive post (2) in the index wiggler's drive slot.



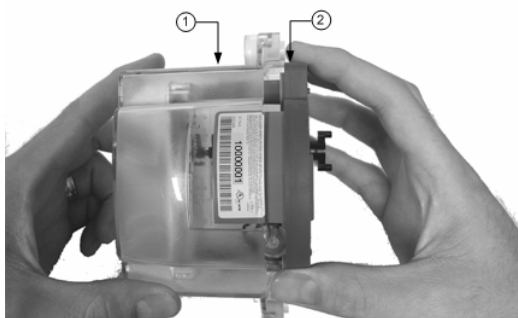
- If the index wiggler has a drive post (1), place the index wiggler's drive post in the backplate wiggler's drive slot (2).



9. Install and tighten the left-hand index mounting screw (for indexes with either mounting screw slots or holes). Use one 8 - 32 x 3/16-inch screw for this step (you can use an original mounting screw if it was the correct size and not corroded; otherwise, use the correct size replacement screw).



10. Tighten the right-hand index mounting screw.
11. Slide the ERT cover (1) over the index and backplate (2).



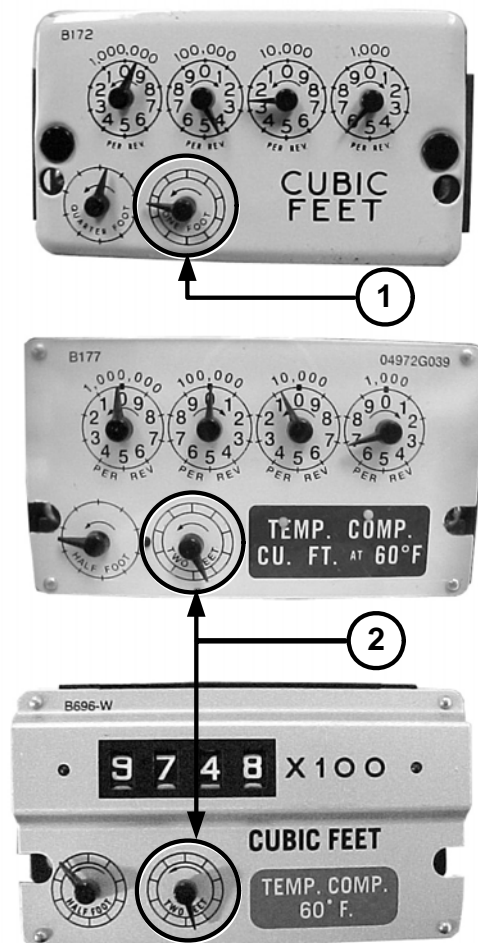
Next, program the ERT module.

## Program the ERT Module

The ERT must be programmed using the FC200SR with EndPoint-Link software. See the *Endpoint-Link ERT Programming Guide (TDC-0411)* for more information.

**IMPORTANT** You must perform the following programming procedure for the ERT module to function properly.

When programming the ERT module, you must take note of the drive rate shown on the index of the meter. Program the meter based on the drive rate shown on the index. American meters. Examples of 1-foot (1) and 2-foot (2) drive rates are shown below (a 0.05 cubic metre drive rate is not shown). Be sure to program the ERT based on the drive rate indicated on the index.



### To program the ERT module

1. Using the FC200SR, program the reading of the index that was on the meter into the ERT module assembly.

- For initial programming, hold the FC200SR approximately 1 foot away from the 100G.
- For reprogramming (30 days or more past initial programming), hold the FC200SR approximately 4 to 5 feet away from the 100G.

Be sure to program the 100G to the correct mode for the reading technology what will be used (for example, Fixed Network Mode, Mobile/Handheld Mode, or Hard to Read Mobile/Handheld Mode). In Endpoint-Link Pro v5.0, you will have access to the one mode that was defined by your system administrator.

During programming, the 100G ERT module is programmed to the *nearest 100 cubic feet*; the last two digits (the tens and units) are programmed as zeros (0). Once programming is complete, however, the ERT module assembly can be read to the nearest cubic foot.

2. Slowly turn the ERT module drive wriggler two turns in the direction indicated on the index drive rate. This lets you verify the ERT module is counting properly after assembly.



**IMPORTANT** Do not turn the drive wriggler faster than *one turn per second*.

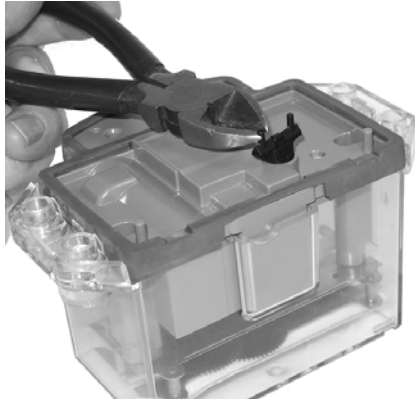
3. Read the ERT module assembly using the FC200SR. Consult the *EndPoint-Link ERT Programming Guide (TDC-0411)* or other applicable instructions for details on how to read an ERT.
  - If this reading is higher than the one you programmed in step 1 above, the ERT module assembly is counting correctly.
  - If the ERT module assembly reading is *not* higher than what was programmed in step 1, replace the ERT module with a new one.

## Attach the ERT Module to the Meter

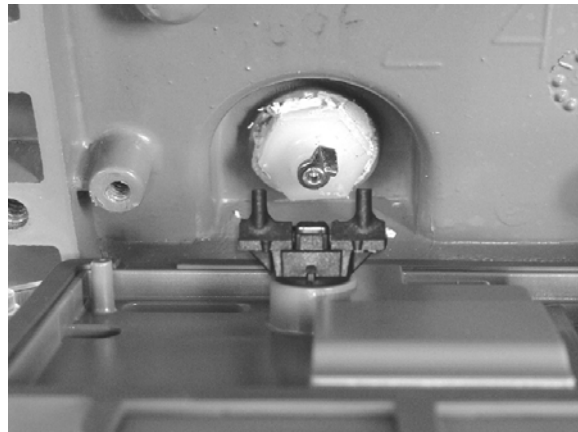
After the endpoint has been programmed and is reading correctly, it must be attached to the meter. Follow the steps below to do this.

**To Attach the ERT to the Meter**

1. **5B 225 Meters Only** If you are installing the ERT on a 5B 225 aluminum meter, cut 1/16-inch off each post of the ERT wiggler to prevent it from rubbing on the face of the nut that holds the wiggler in place. If you are not installing on a 5B 225 meter, continue to step 2 below.

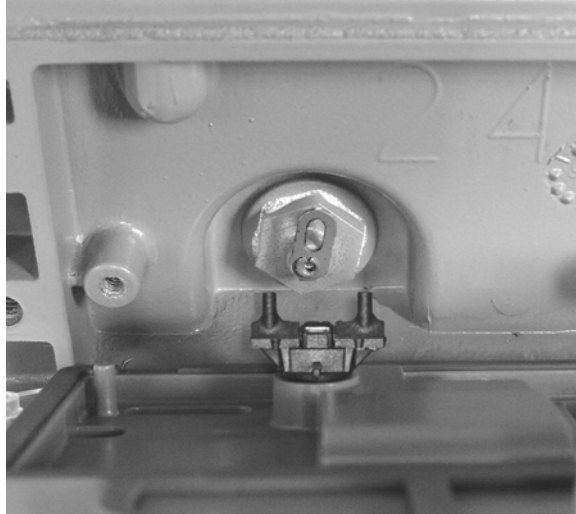


2. Set the wiggler to the desired position for mounting the ERT module assembly to the meter.
  - **For One-Foot Meters:** Align the ERT module assembly wiggler with the meter drive post (as shown below). Make sure the ERT wiggler is perpendicular to the meter drive post.

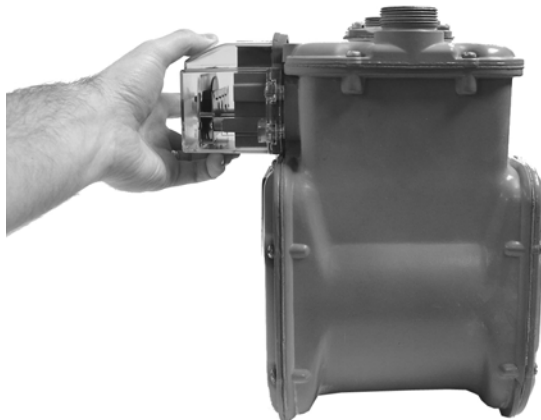




- **For Two-Foot Meters:** Align the ERT module assembly wriggler with the meter drive slot (as shown below). It is acceptable for the pin on the 100G wriggler to be installed inside or outside of the meter drive slot. For ease of assembly, Itron recommends that the pin on the 100G wriggler be installed outside of the meter drive slot.



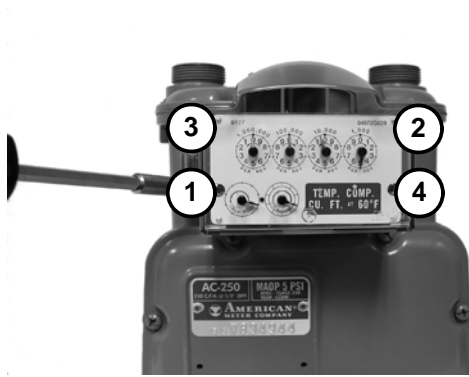
3. Gently place the ERT module assembly on the meter. Align the four screw holes on the ERT module assembly with the holes on the meter.



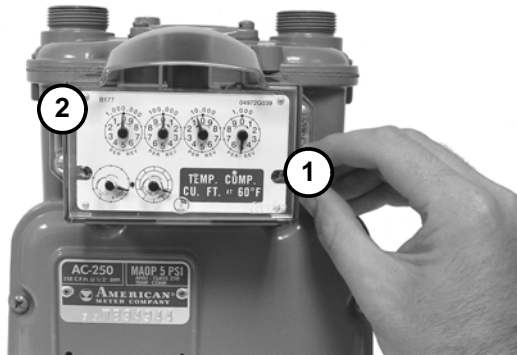
4. Turn each screw 1/4 to 1/2 turn after it contacts the cover. Use the 1/4 - 20 x 5/8-inch screws for this step. You can use the original mounting screws if they were the correct size and not corroded, otherwise, use the correct size [Replacement Screws](#) on page 14.



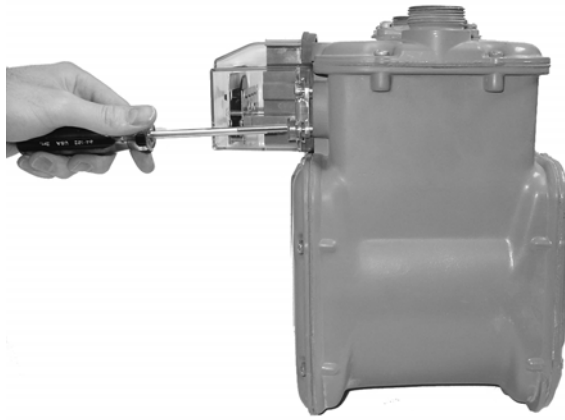
**IMPORTANT** Meter manufacturers should torque the mounting screws 15 to 20 inch-pounds.



5. Place a new tamper seal over two of the mounting screws as shown below.



6. Press the new tamper seals into place using the 11/32-inch nut driver (or another similar blunt tool).



7. Complete any necessary paperwork. Make sure no excess material is left on the customer premises; dispose of it properly.

The ERT is now installed on the meter.

