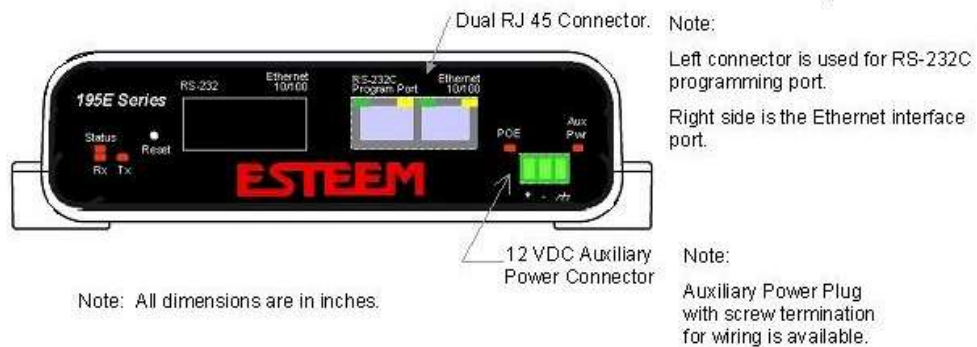
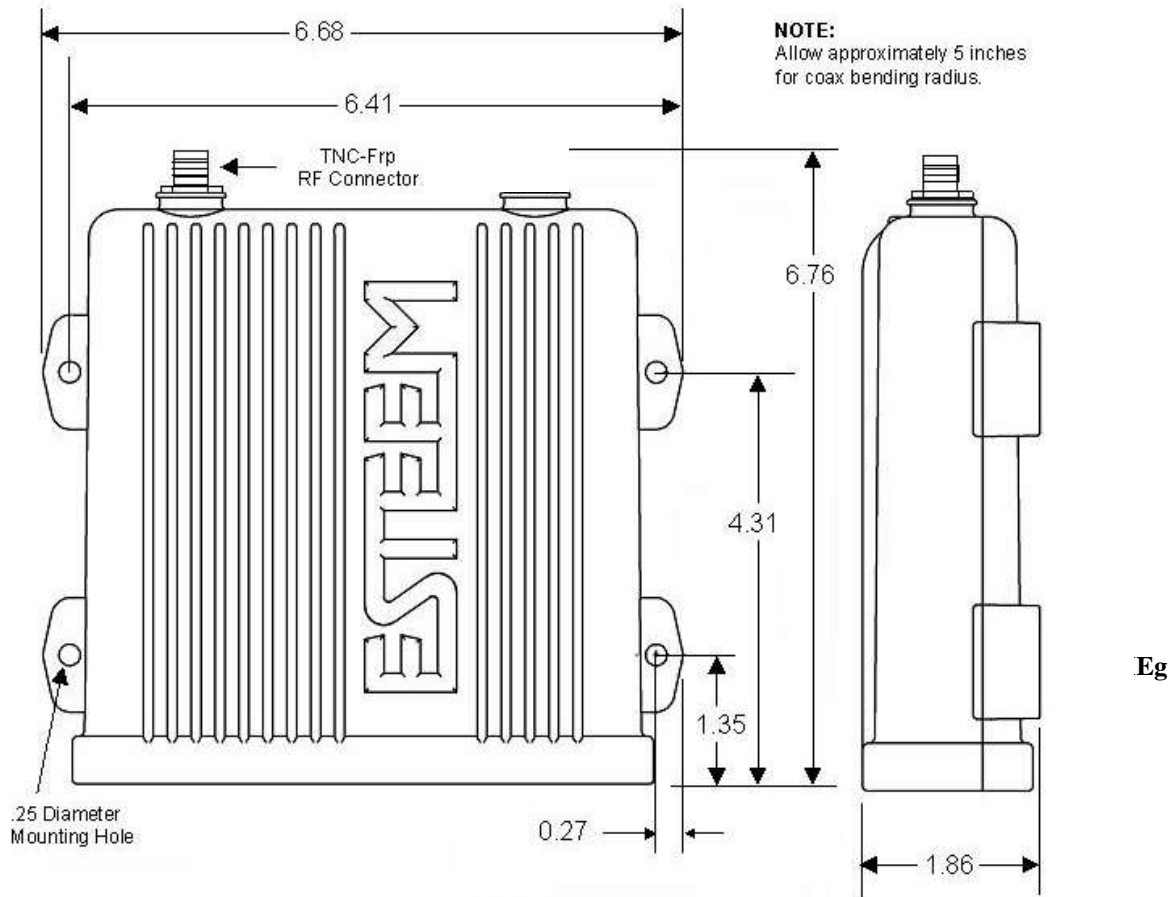


Model 195Ea Specifications

LED Indicators	
Power On/Off	Receiver On/Off
Carrier Detect On/Off	Transmitter On/Off
Link Status On/Off	
I/O Connectors	
Ethernet 10/100Base T	RJ-45
RS-232C Programming/Data Port	RJ-45
Dual Antenna input/Outputs	TNC Reverse Female
Remote Input Power	Power Over Ethernet Cable
Direct Input Power	Optional, Header Screw Connector
Transmitter	
Frequency of Operation	5.745 to 5.825 GHz Software Selectable in 17 Channels
RF Data Rates	6 to 54 Mbps (8 steps)
Tx Peak Output Power	250mW to 1 Watt (Pk) (4-levels)
RF Output Impedance	50 ohms
Receiver	
Rx Sensitivity	-72 dBm @54 Mbps to -92 dBm @ 6 Mbps Frame Error Rate <10%
Power	
Power over Ethernet	IEEE 802.3at Power Supply, 48 VDC @ 30 Watts
Power Connector on Unit	10 to 28 VDC
Receive	250 ma @ 12 VDC
Transmit	1.25 A @ 12 VDC
Case	
Dimensions	1.9 in. H x 6.7 in. W x 6.2 in. L
Weight	1.25 lbs.
Outdoor Pole Mounting Kit	Optional, EST P/N 195PM
Other	
Warranty	1 Year
Temperature Range	-30° to +60° C
Humidity	95% Non-condensing
FCC Type Acceptance	Pending
Industry Canada Type Acceptance	Pending

Specifications Subject to Change Without Notice

Model 195Ea Case Specifications



Antenna Specifications

Model: AA20DMEa

Applications: Model 195Ea direct case mount

Antenna Type: Omni-Directional, Sleeve dipole

Frequency: 5.735 to 5.835 GHz

Polarization: Vertical

Impedance: 50 ohms

Gain: 4.5 dBi (2.5 dBd)

VSWR: < 1.5:1

Power: 10 W

Front To Back Ratio: n/a

Horizontal Beamwidth: n/a

Vertical Beamwidth: n/a

Antenna Material: Polyurethane Plastic Radome

Recommended Mounting Hardware: n/a

Antenna Connector: TNC-R Male

Flexibility: +/- 20 °

Antenna Envelope: 7.36 in. length by .51 in. width

Temperature: -20 to +65 C°

Weight: 28.4 grams

Caution

To comply with the FCC exposure compliance requirements, a separation distance of at least ~113 cm must be maintained between the antenna and all persons.



AA20DMEa

Model No: AA20Ea

Antenna Type: Omni Directional, DC Grounded

Applications: Fixed base

Frequency: 5.725-5.825 GHz

Polarization: Vertical

Impedance: 50 ohms

Gain: 6 dBi (8 dBd)

VSWR: 1.5:1 Typical

Vertical Beamwidth: 6 degrees @ ½ power

Recommended Mounting Hardware: Pole Mounting Bracket, Supplied

Antenna Connector: TNC male reverse polarity with
18 in. pigtail and weatherproof boot

Maximum Power Input: 25 Watts

Wind Survival: 125 mph

Antenna Envelope: 20.2 in. L x 1.25 in.

Equivalent Flat Plate Area: .06 sq. ft

Lateral Thrust at Rated Wind: 5.2 lbs feet

Radome: White UV resistant fiberglass

Weight: 0.5 lbs.



AA20Ea

Antenna Specifications

Model No: AA205Ea

Applications: Fixed base mounting

Antenna Type: Directional, Linear Polarized Panel, DC grounded, Integral Bandpass Filter

Frequency: 5.725-5.875 GHz

Polarization: Vertical or Horizontal

Impedance: 50 ohms

Gain: 22 dBi (20 dBd) nominal

VSWR: <1.5:1 nominal

Front to Back Ratio: ≥ 25 dB

Horizontal Beamwidth: 9 degrees @ $\frac{1}{2}$ power

Vertical Beamwidth: 9 degrees @ $\frac{1}{2}$ power

Antenna Material: White UV Resistant Polypropylene

Recommended Mounting Hardware: Adjustable Mounting Bracket provided for wall mounting or masts between 1 in and 2.75 in. O.D.

Antenna Connector: TNC male reverse polarity with 18 in. pig-tail and weatherproof boot.

Maximum Power Input: 20 Watts

Antenna Envelope: 14.5 in. length by 14.5 in. height by 1.75 in. depth

Operating Temperature: -40 to +85 F.

Weight: 3.5 lbs.



Model AA205Ea

Caution

To comply with the FCC exposure compliance requirements, a separation distance of at least ~113 cm must be maintained between the antenna and all persons.