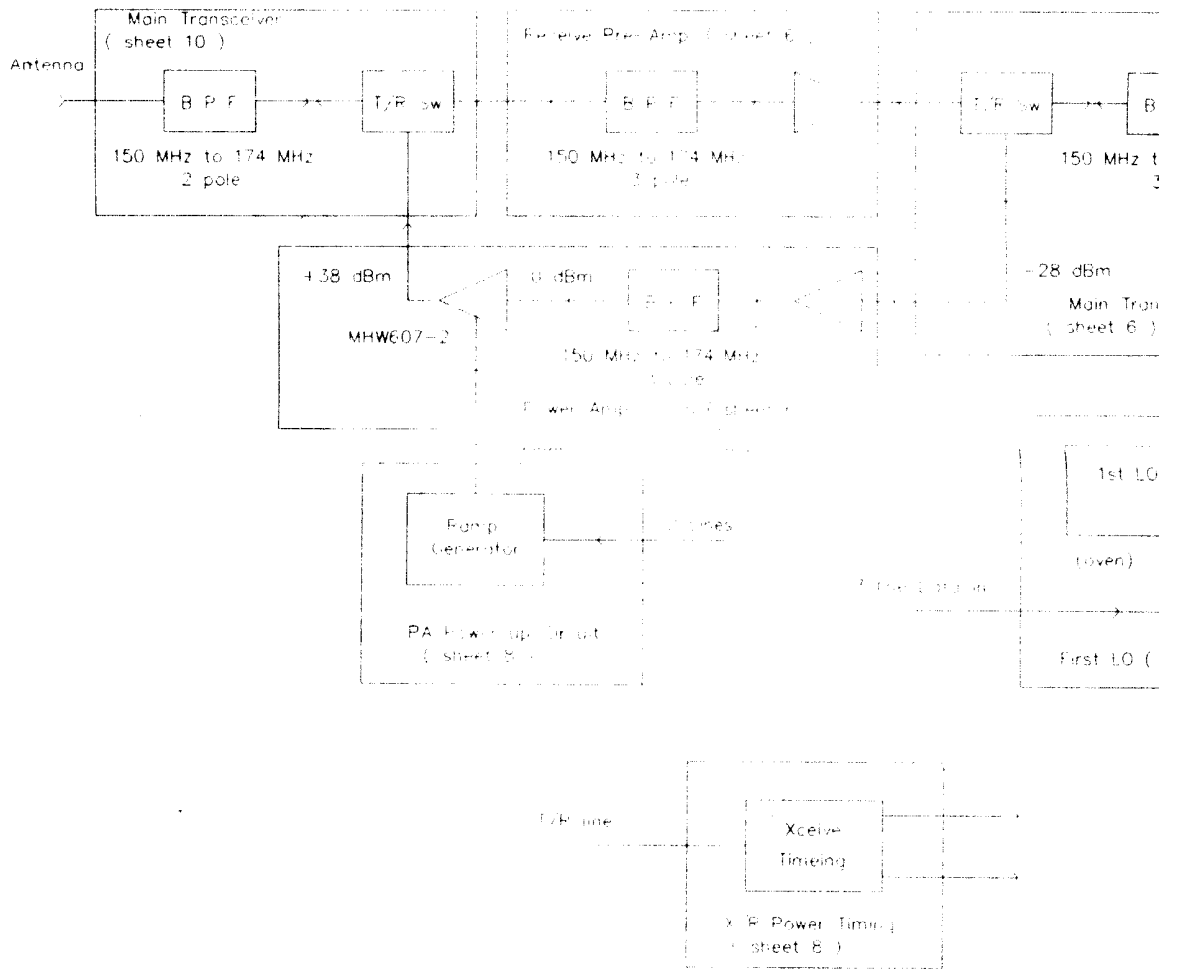


D

# ESTeem Model 192M Trar

C

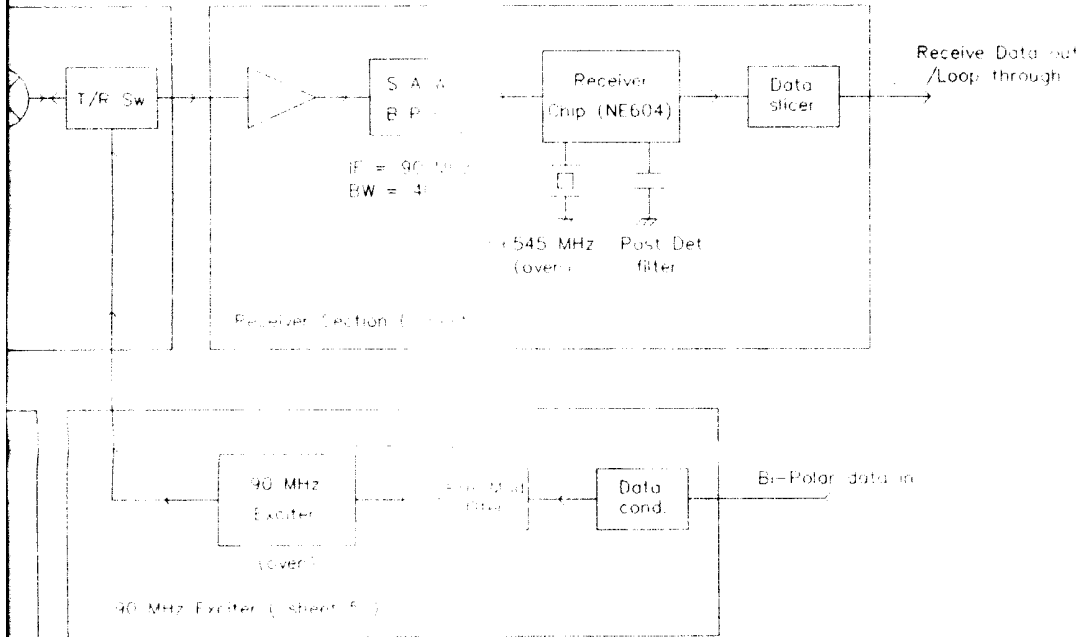


B

A

4	3	2	1
DRAWN	ECO #	DESCRIPTION	CHECK DATE

# Transceiver Block Diagram



FCC ID: ENPESTEEM192M

192MBLK DWG

DESIGNED IDAFAB	PREL.	<b>EST</b>	ELECTRONIC SYSTEMS TECHNOLOGY
DRAWN C CLARK	PROTO.		
CHECKED B STRECKER	QUAL.		
	PROD.		
UNLESS OTHERWISE SPECIFIED	NEXT ASSY.	SYSTEM 192M WIRELESS MODEM	
TOLERANCES	DWG NUMBER	TITLE	
DECIMAL .XX .XXX .010	C00408	192M TRANSCEIVER BLOCK DIAGRAM	
FRACTIONAL .XXX 1/64		SCALE	SIZE
ANGULAR .XXX 1/2		N/A	C
HOLE .XXX .002	SHEET 1 OF 1	DOG # PART NO.	REV
ALL DIMENSIONS IN INCHES DO NOT SCALE THIS DWG		80B01602000A	A