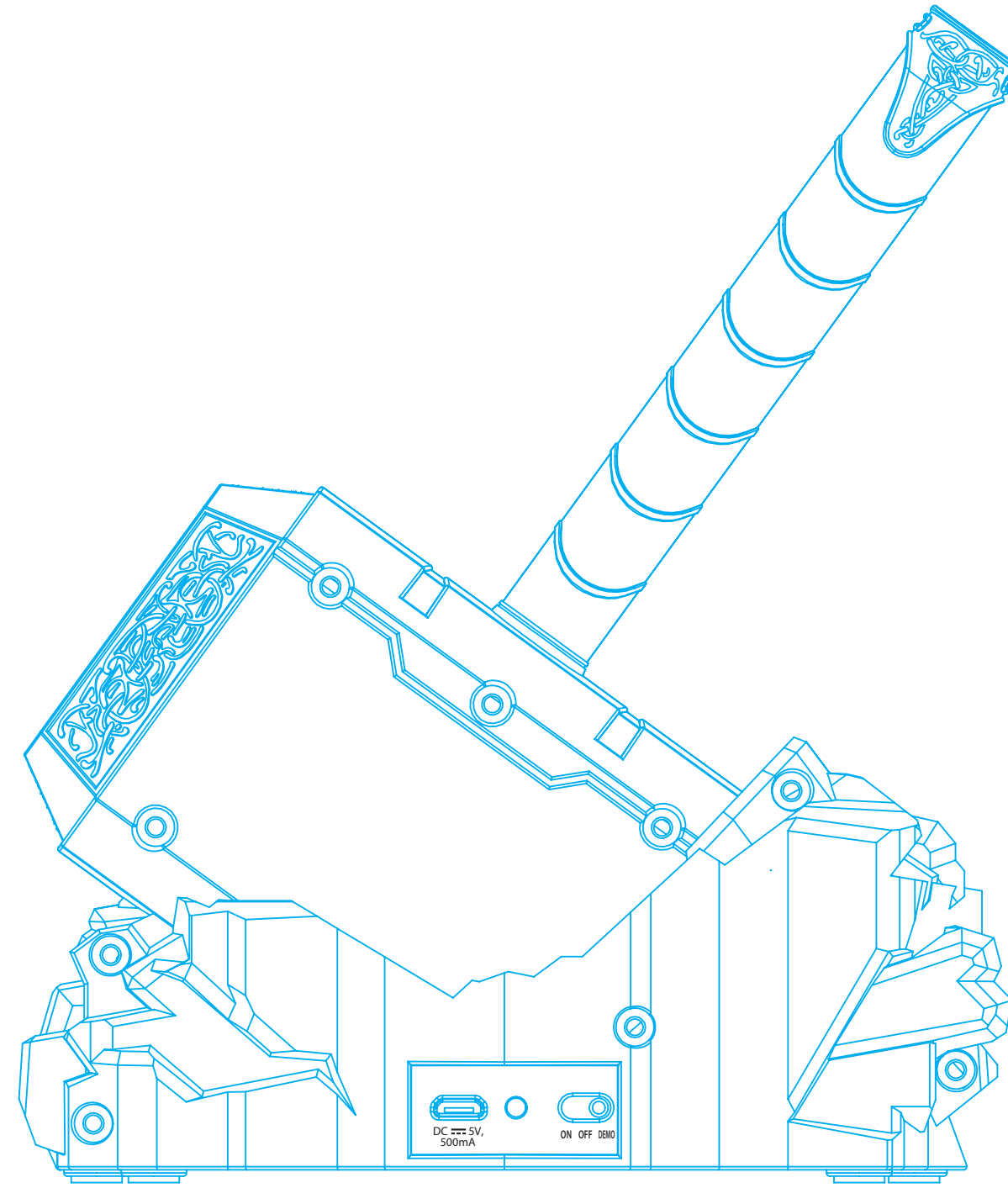
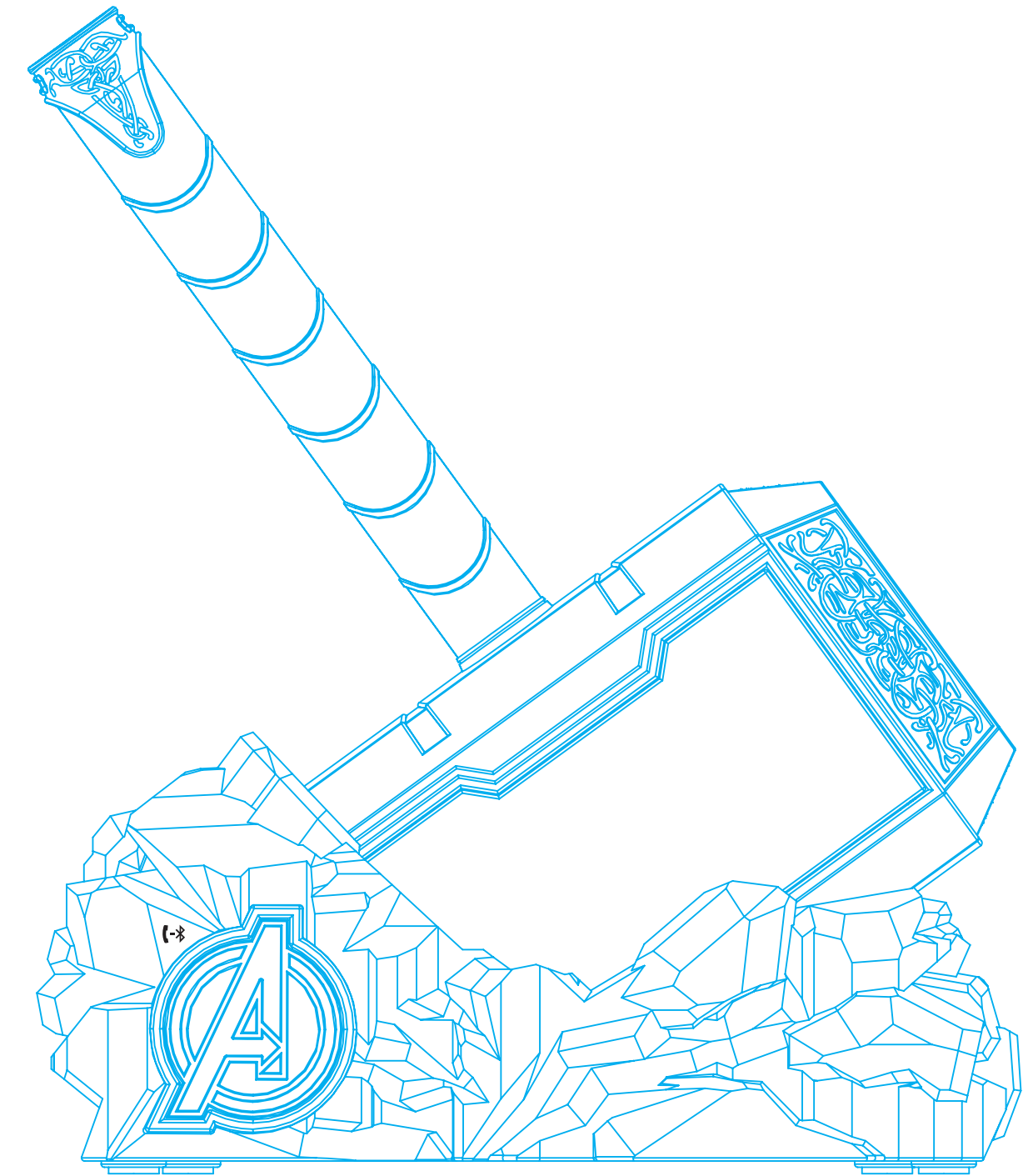


Vi-B72TH GAW  
DEC 5, 2016



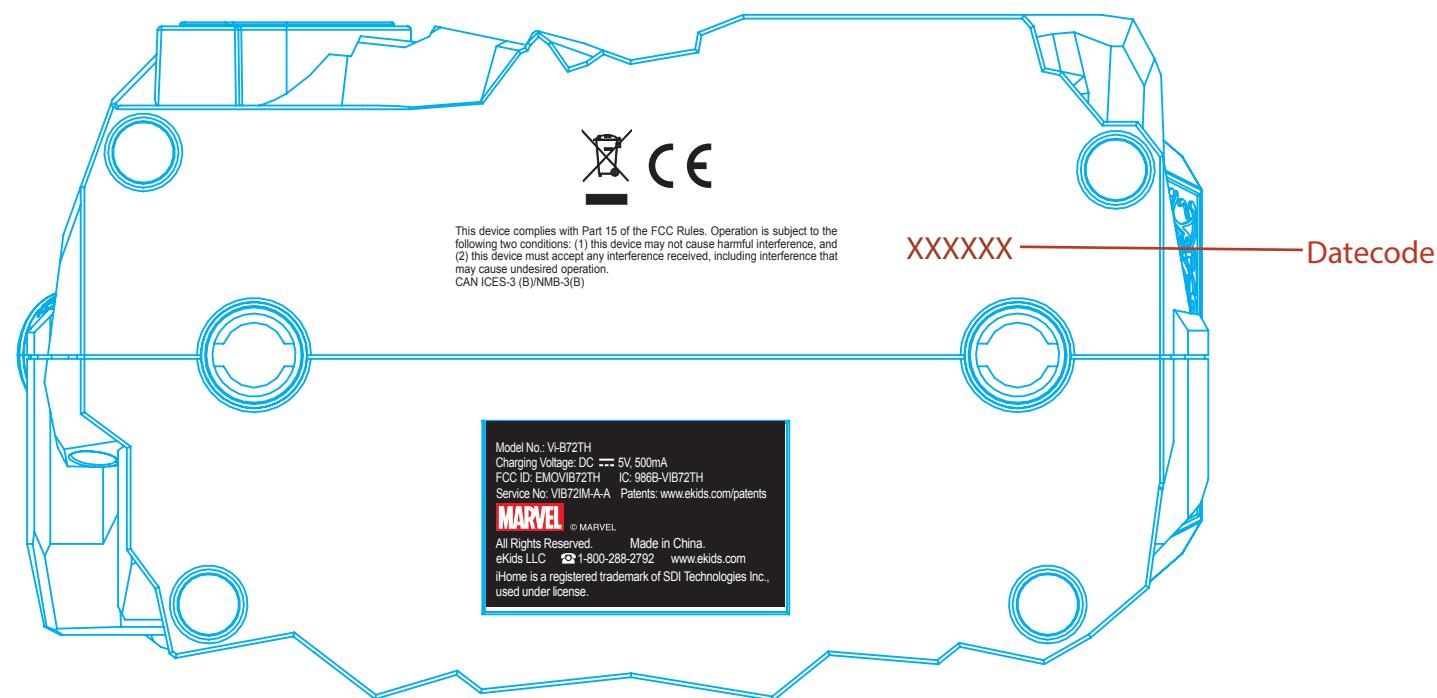
Embossed, 0.3mm



Debossed art in center, 0.3mm

	1	2	3	4	5	6	7	8	9	10	11	12
2016												
2017												
2018												
2019												
2020												

PROPERTY OF KIDDESIGNS  
Vi-B72TH



This device complies with Part 15 of the FCC Rules. Operation is subject to the following two conditions: (1) this device may not cause harmful interference, and (2) this device must accept any interference received, including interference that may cause undesired operation.  
CAN ICES-3 (B)/NMB-3(B)

XXXXXX — Datecode

Model No. Vi-B72TH  
 Charging Voltage: DC 3.7V 500mA  
 FCC ID: EMOV1672TH IC: 3668-ViB72TH  
 Service No. ViB72M-A-A Patents: www.kiddesigns.com/patents  
**MARVEL**  
 All Rights Reserved. Made in China.  
 ©2016 KIDDESIGNS, INC. 1500 28th Street, San Francisco, CA 94114  
 Home is a registered trademark of SDI Technologies Inc.  
 used under license.

Vi-B72TH Legal label (Model info / FCC label)  
 Size: 39.5 x 24.5 mm  
 Color: 2C (  Black /  PMS 185)