

iHome GAW

Title: Light and Sound Therapy Machine

Version: 9 Model #: iZBT50

Designer: Nick Silvestri

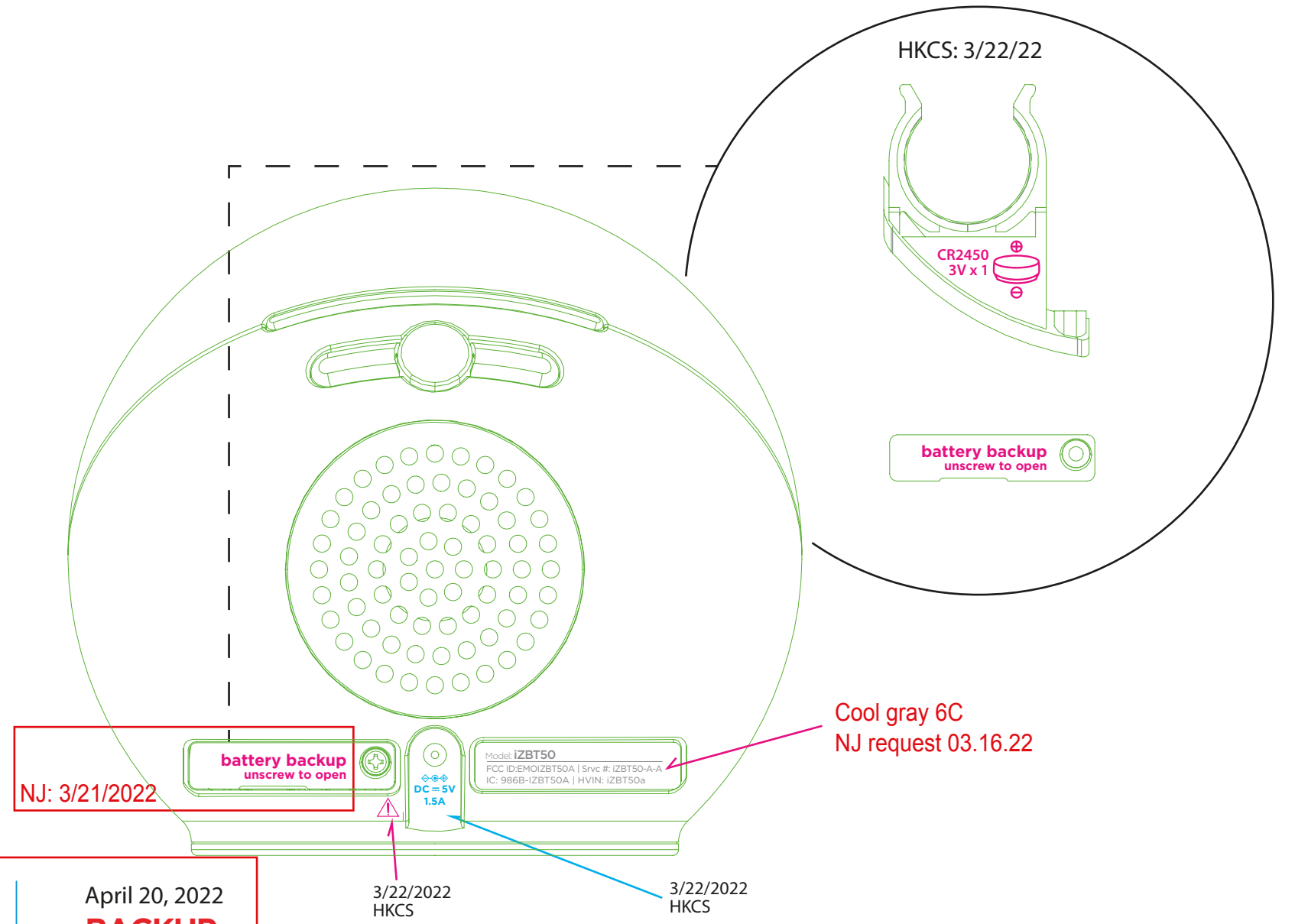
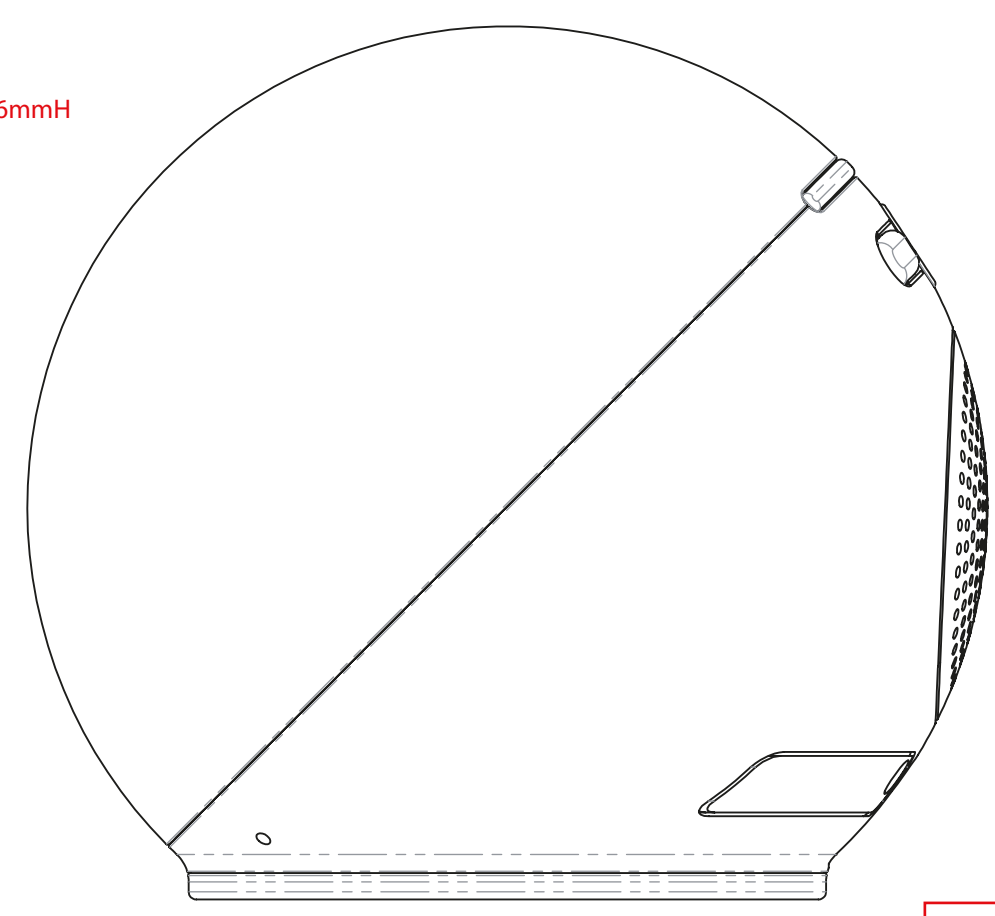
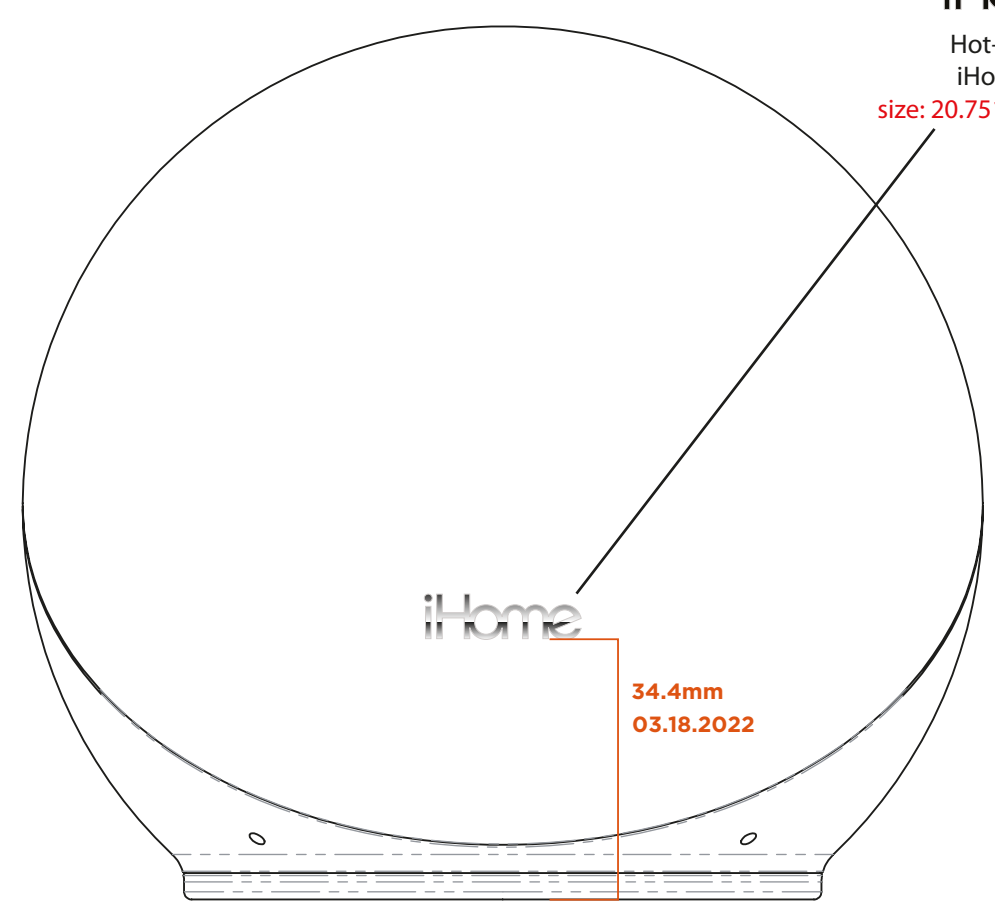
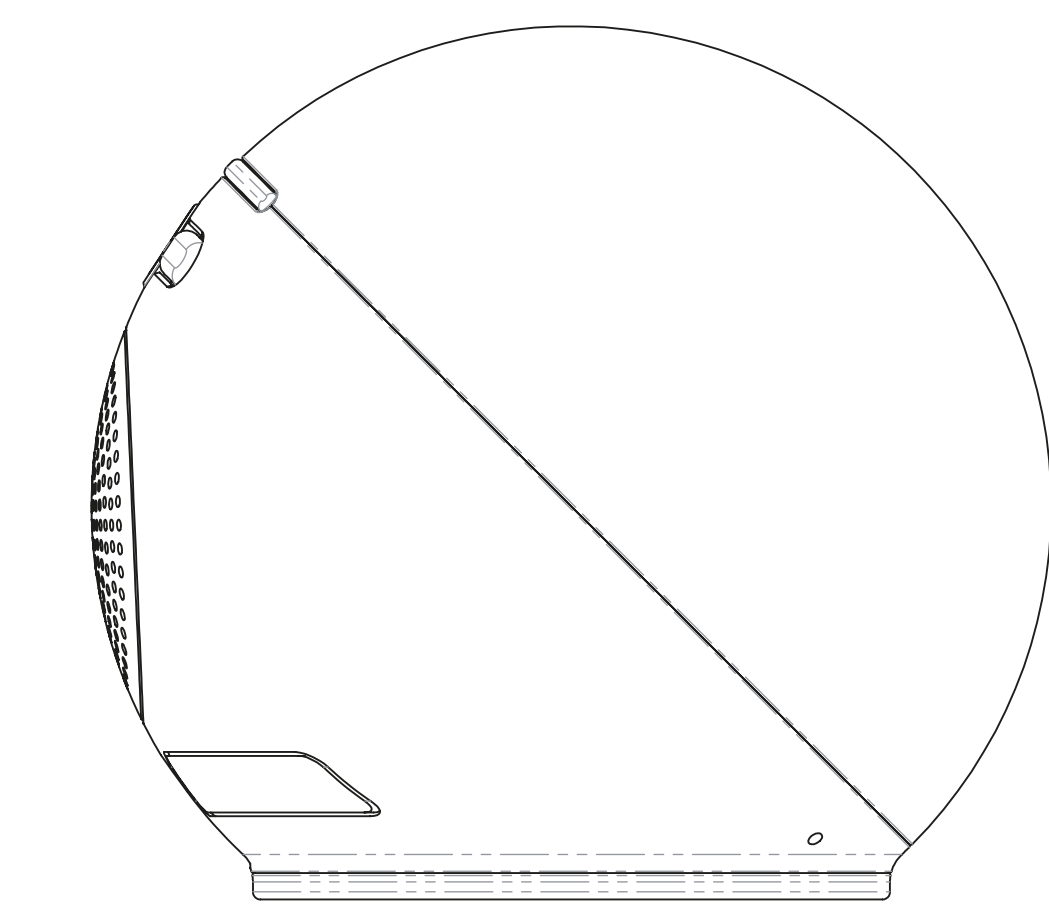
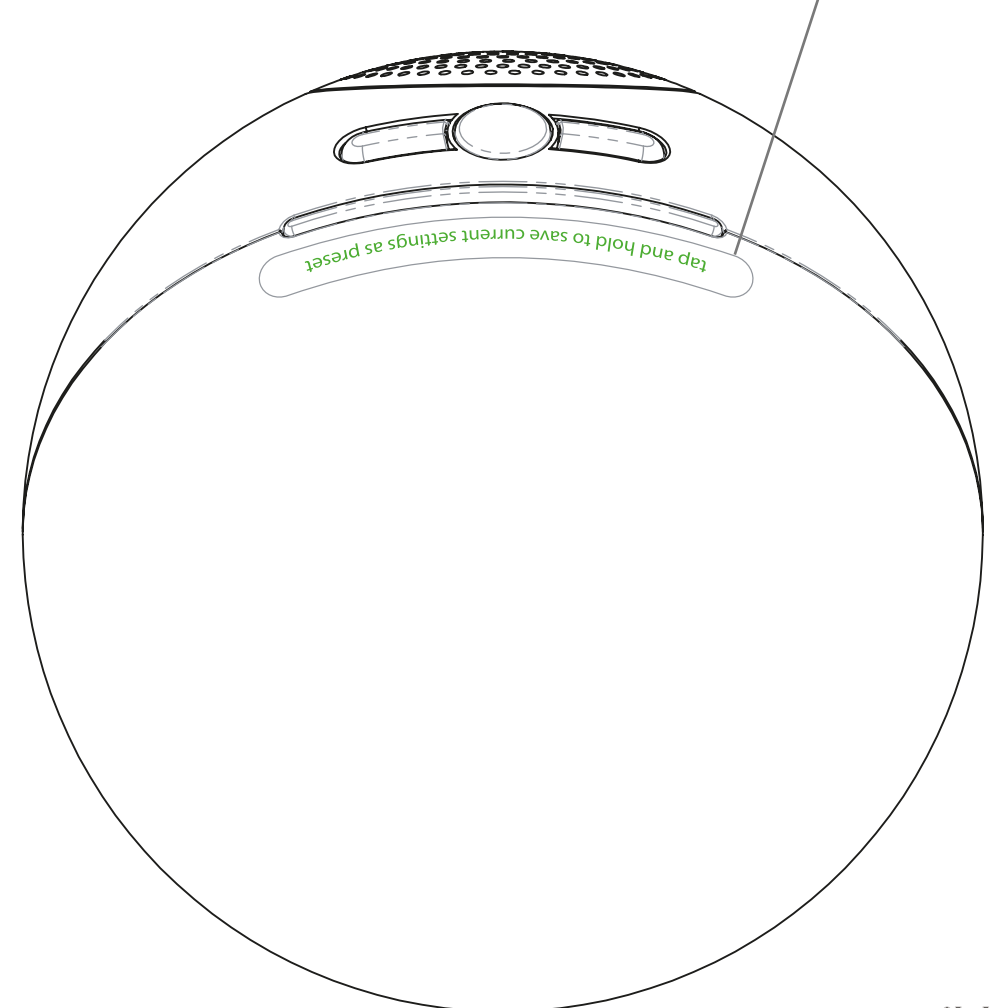
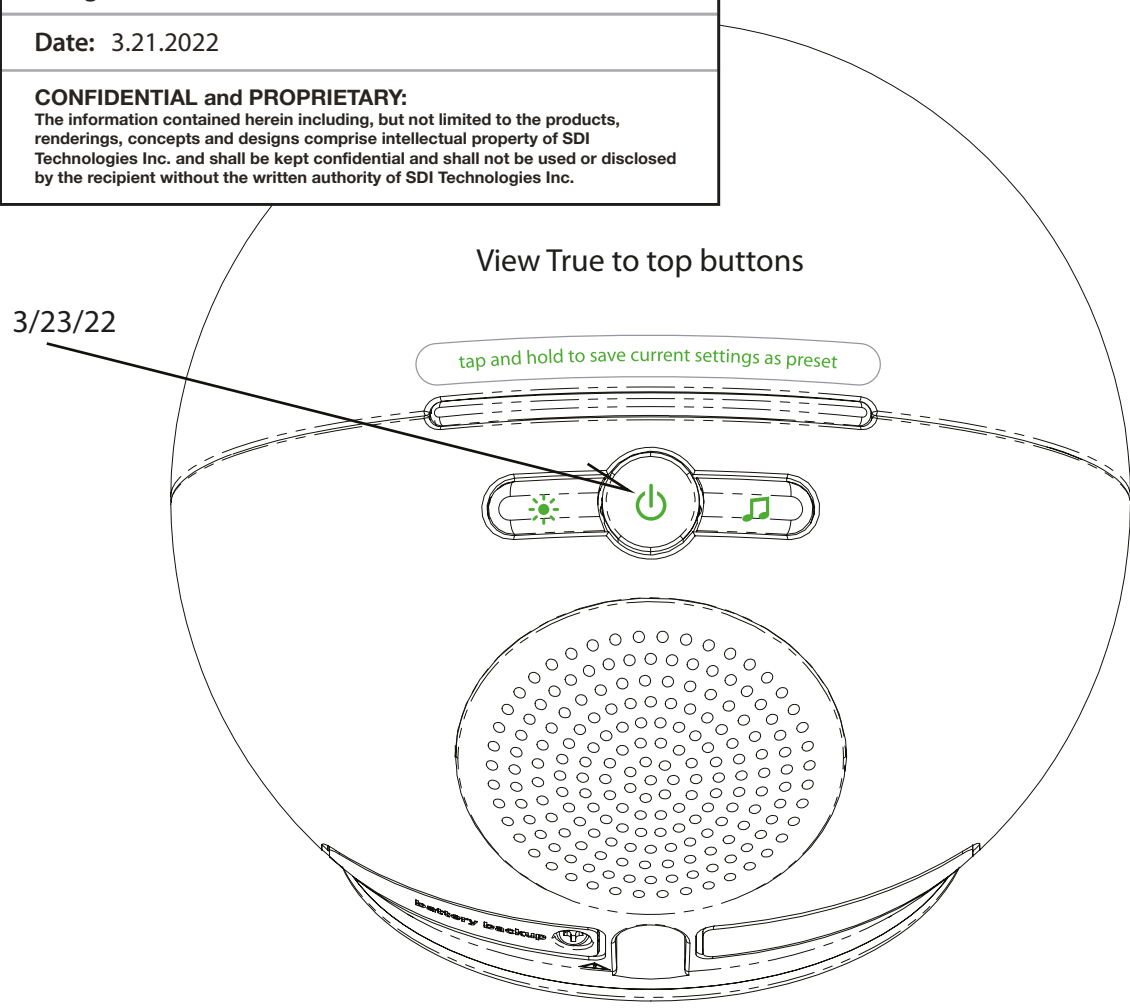
Date: 3.21.2022

CONFIDENTIAL and PROPRIETARY:
The information contained herein including, but not limited to the products, renderings, concepts and designs comprise intellectual property of SDI Technologies Inc. and shall be kept confidential and shall not be used or disclosed by the recipient without the written authority of SDI Technologies Inc.

GREEN - Silkscreen - See DL for color information

POP LABEL: Pantone Cool Gray 6U Silkscreen printing on transparent label

tap and hold to save current settings as preset



iZBT50		iZBT50	
1	2	3	4
5	6	7	8
9	10	11	12
13	14	15	16
17	18	19	20
21	22	23	24
25	26	27	28
29	30	31	32
33	34	35	36
37	38	39	40
41	42	43	44
45	46	47	48
49	50	51	52
53	54	55	56
57	58	59	60
61	62	63	64
65	66	67	68
69	70	71	72
73	74	75	76
77	78	79	80
81	82	83	84
85	86	87	88
89	90	91	92
93	94	95	96
97	98	99	100

PROPERTY OF SDI TECHNOLOGIES PROPERTY OF SDI TECHNOLOGIES

BLUE - Emboss .3mm - See DL for color information

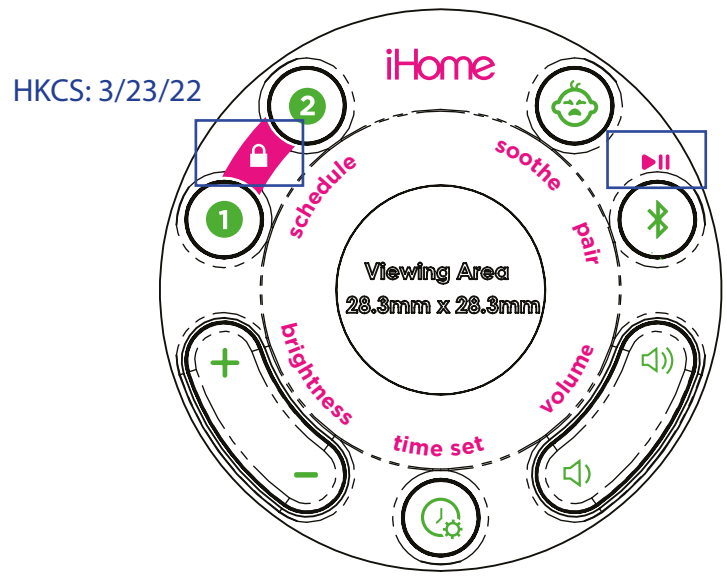
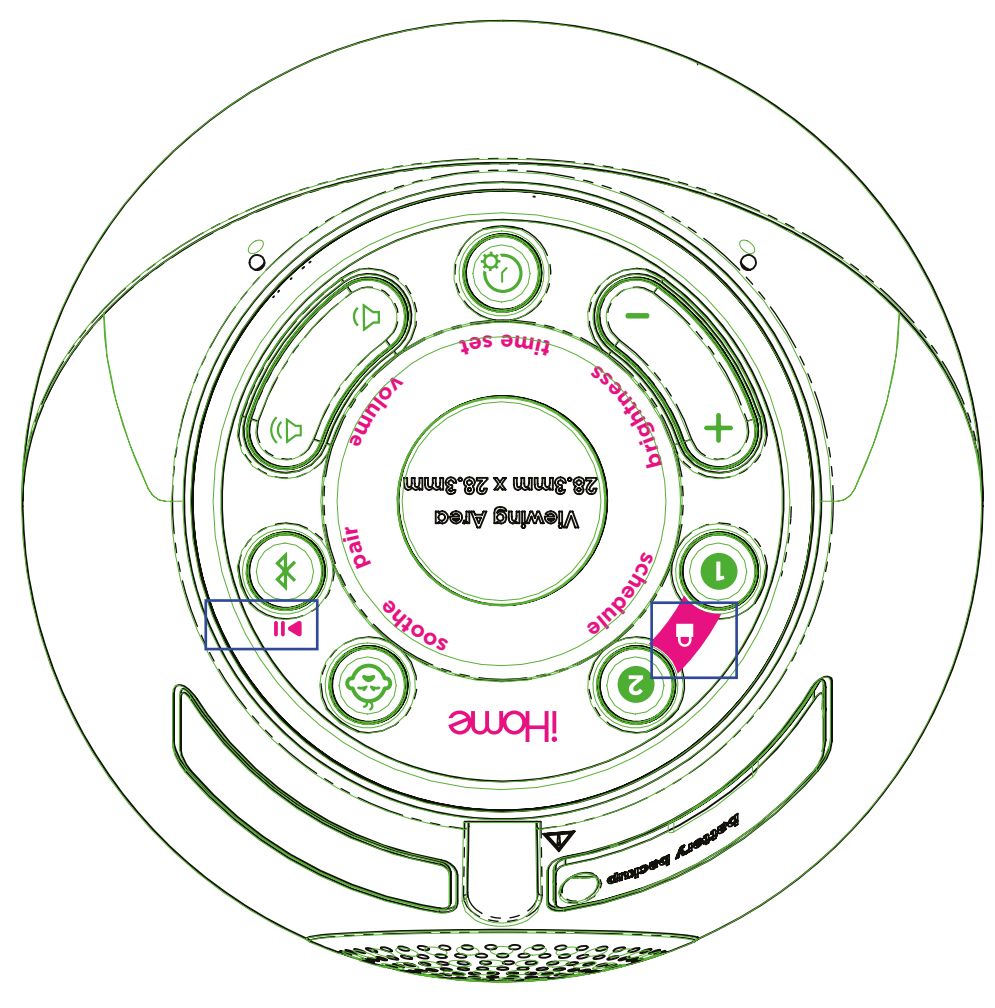
April 20, 2022
BACKUP BATTERY PULL TAB
(printed in red text)
PMS185C

REMOVE BEFORE USE

pull:

MAGENTA - Deboss .3mm - See DL for color information

BLUE - Emboss .3mm - See DL for color information



GREEN - Silkscreen - See DL for color information

MAGENTA - Deboss .3mm - See DL for color information