



深圳市立诚兴科技有限公司

承 认 书

SPECIFICATION FOR APPROVAL

客 户: **Dongguan xingshida electronics co., ltd (KH248)**
CUSTOMER:

客 户 料 号: _____
CUST P/N: **R088-WW33025041-W010**

内 部 料 号 : **LCX-KH248TX014**
LCX P/N: _____

产 品 型 号: _____
DESC: **Ø14. 2*20. 5-0. 08*28P-10TS-10-25RC-BJ**

日 期: _____
DATE: **2023/12/11**

版 本: _____
Version: **A.0**

制作 PREPARED BY	审核 CHECKED BY	批准 APPROVED BY	客户承认 CUSTOMER APPROVE
Wenjun Yang 2023/12/11	Shuilin Chen 2023/12/11		

Adress: 401, Block B, Building 7, Rongchang Industrial Park, No. 440, Hedong village, Hengkeng community, Guancheng Street, Longhua District, Shenzhen

PH: 13828741697

E-mail: 467317369@qq.com

产品规格书 SPECIFICATION		Version A/0	PREPARED BY: Wenjun Yang 2023/12/11	CHECKED BY: Shuilin Chen 2023/12/11
Drawing No: LCX-GCQP00001092		Page No: 2/4	客户代码: CUST P/N	KH248
Specification	Ø14. 2*20. 5-0. 08*28P-10TS-10-25RC-BJ	客户料号: CUST P/N		R088-WW33025041-W010
		内部料号: IN P/N	LCX-KH248TX014	

版本变更履历

Version Change History

版本 Rev	变更前 Before Change	变更后 After Change	更改日期 Change Date	批准 Approved By
A/0	New Release		2023/12/11	Frank Gao

物料清单

Bill of material

NO.	Item Name	IN P/N	Material Specification	Unit	Usage	Remarks
1	Coil		Litz Wire 0.08*28P	g	1.0	
2	Rubber Sheet		25*7.5	PCS	1	
3	Magnet		7.8*2	PCS	1	N52:The OD is 8mm, the thickness is 2mm, and the Gaussian value is 2800-3200. The surface of the magnet needs electrogalvanizing.
4	3M double-sided adhesive tape		18.5*22*0.05 Oval Shape	PCS	1	
		以下空白				

产品规格书 SPECIFICATION		Version A/0	PREPARED BY: Wenjun Yang 2023/12/11	CHECKED BY: Shuilin Chen 2023/12/11
Drawing No: LCX-GCQP00001092		Page No: 3/4	客户代码: CUST P/N	KH248

Specification	Ø14. 2*20. 5-0. 08*28P-10TS-10-25RC-BJ	客户料号: CUST P/N	R088-WW33025041-W010
		内部料号: IN P/N	LCX-KH248TX014

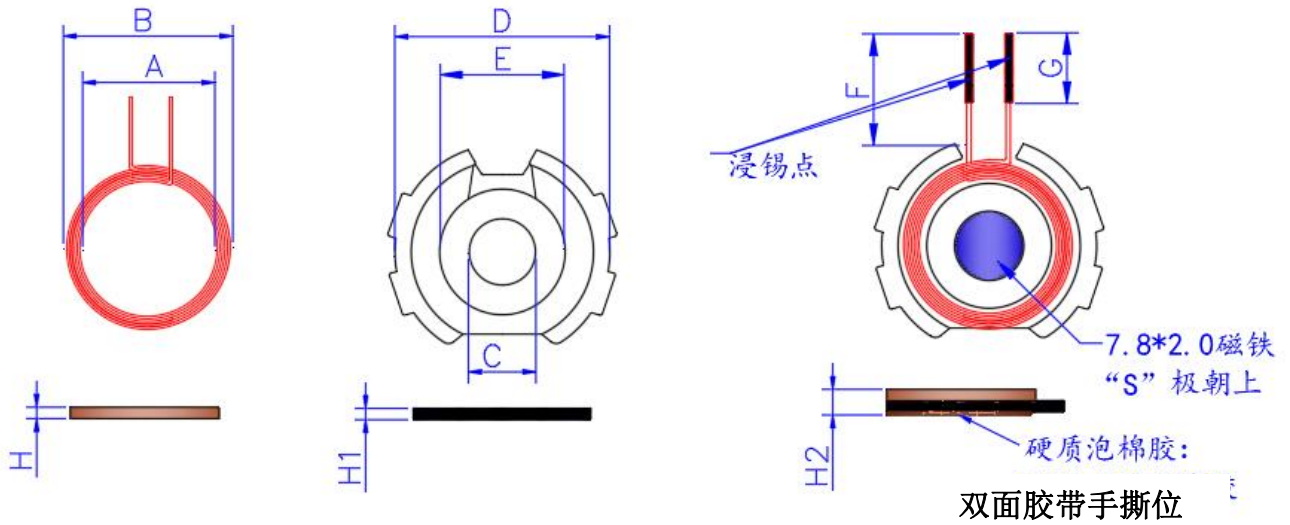
A	B	C	D	E	F	G	H	H1	H2	---	---	---	---
14.2 ±0.3	20.5- 21	8 ±0.15	23.6 ±0.5	13.45 ±0.15	10 ±2	2 ±1	0.8 ±0.2	2.6 ±0.2	2.8 ±0.2	---	---	---	---

一、尺寸 DIMENSION:(mm) Winding Mold: 14.2 Coil Single Weight: 1.0

图一、线圈

图二、磁片

图三、磁片与线圈的组合



Remark: 1.The winding method is shown in Figure 1 and the coil cannot be loose. The lead wire does not need to be crossed out.

- The inner hole of rubber sheet is 7.8mm, and the OD is 24.6mm.
- As shown in figure 3, the coil is reversely attached to the groove of the magnetic sheet, and the two leads are aligned with the outlet of the groove.
- The center position of the front of the rubber sheet is pasted with magnet (as shown in Figure 3). The S pole of the magnet is upward.
- 3M double-sided adhesive tape (Model: 3M-300LSE) is attached to the back of the rubber sheet with handle.

二、原理图 SCHEMATIC DIAGRAM:



三、绕线参数 Winding Specification:

序号 NO	端子 TERMINAL	线径 WIRE	线材分解温度 Temperature	圈数 Turns	绕线方向 Winding Direction
1	S F	Litz Wire 0.08*28P	180-250 °C	10TS	Counterclockwise

四、电气特性 ELECTRICAL CHARACTERISTIC: :

温度 TEMPERATURE:25±10°C,湿度 RELATIVE HUMIDITY:65±20%

序号 NO	磁片材质 Ferrite material	电感量 LS	阻抗 DCR	测试条件 TEST FREQUENCY	测试仪器 TEST EQUIPMENTS
1		2.5uH ± 5% (Coil)	78m Ω ± 10%	100KHz/1.0V	U2832
2	Rubber Sheet	4.1 ± 5% (Ferrite+Coil)	78m Ω ± 10%	100KHz/1.0V	U2832

产品规格书 SPECIFICATION Drawing No: LCX-GCQP00001092		Version A/0	PREPARED BY: Wenjun Yang 2023/12/11	CHECKED BY: Shuilin Chen 2023/12/11
		Page No: 4/4	客户代码: CUST	KH248
Specification	Ø14. 2*20. 5-0. 08*28P-10TS-10-25RC-BJ	客户料号: CUST P/N		R088-WW33025041-W010
		内部料号: IN P/N		LCX-KH248TX014

五、包装方式 Packing way:
泡棉盒包装 Foam box packaging