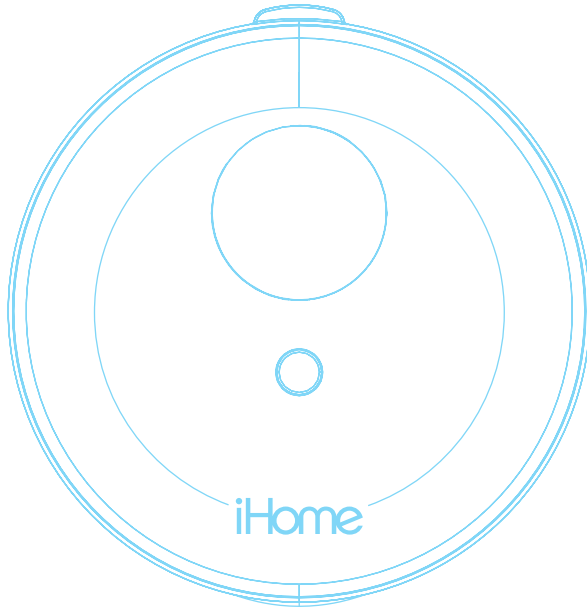
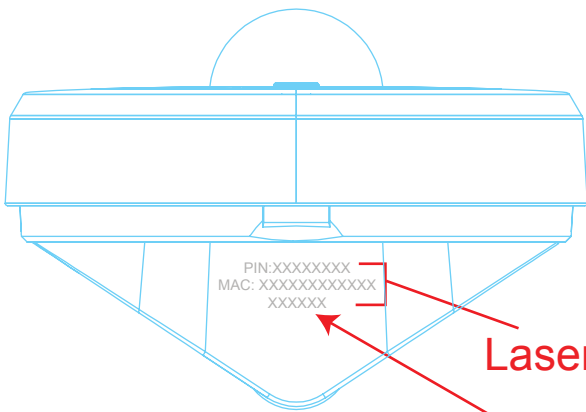


# Title : iSB01\_Model Label

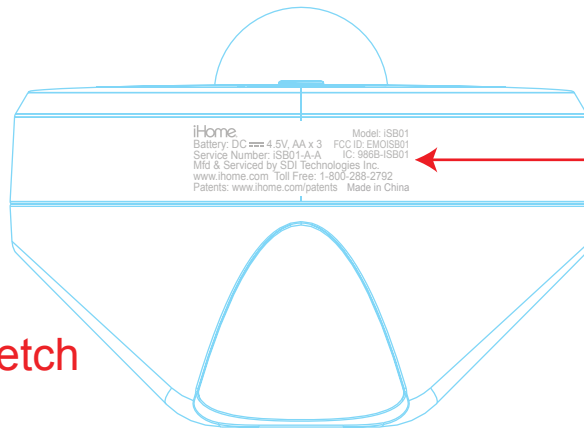


Front



Bottom\_inside

Date code



Bottom\_outside

Model info  
in laser etch

PIN:XXXXXXXX  
MAC: XXXXXXXXXXXX  
XXXXXX

iHome Model: iSB01  
Battery: DC 4.5V, AA x 3 FCC ID: EMOI-SB01  
Service Number: iSB01-A-A IC: 9868-iSB01  
Mfd & Serviced by: SDI Technologies Inc.  
www.ihome.com Toll Free: 1-800-288-2792  
Patents: www.ihome.com/patents Made in China