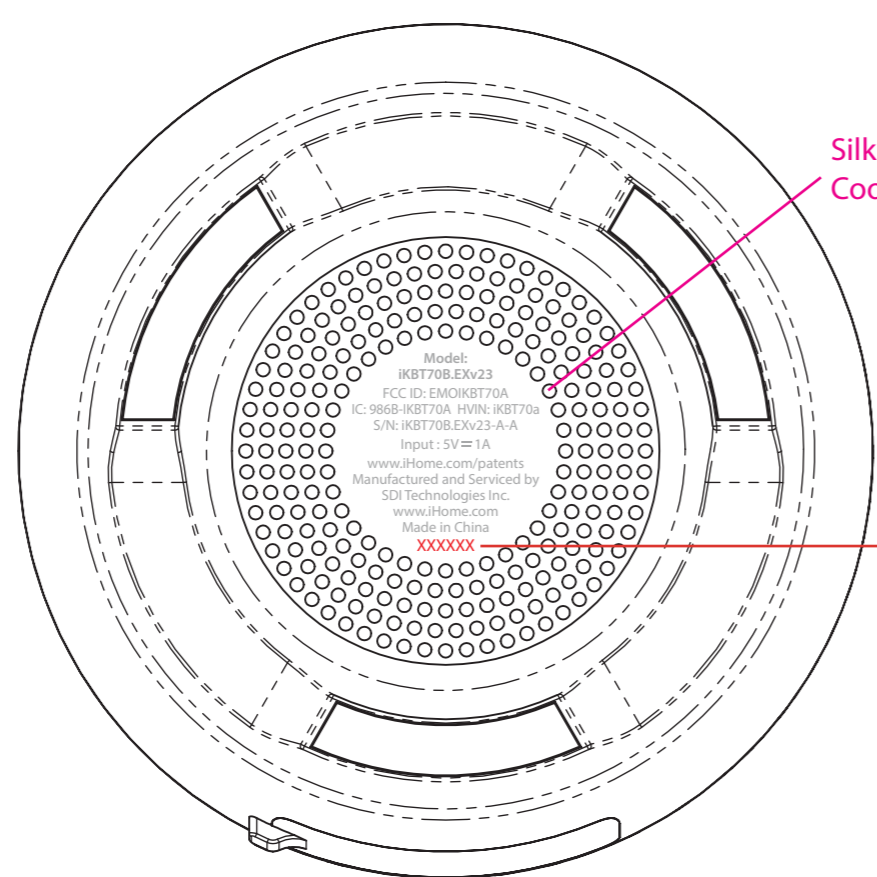
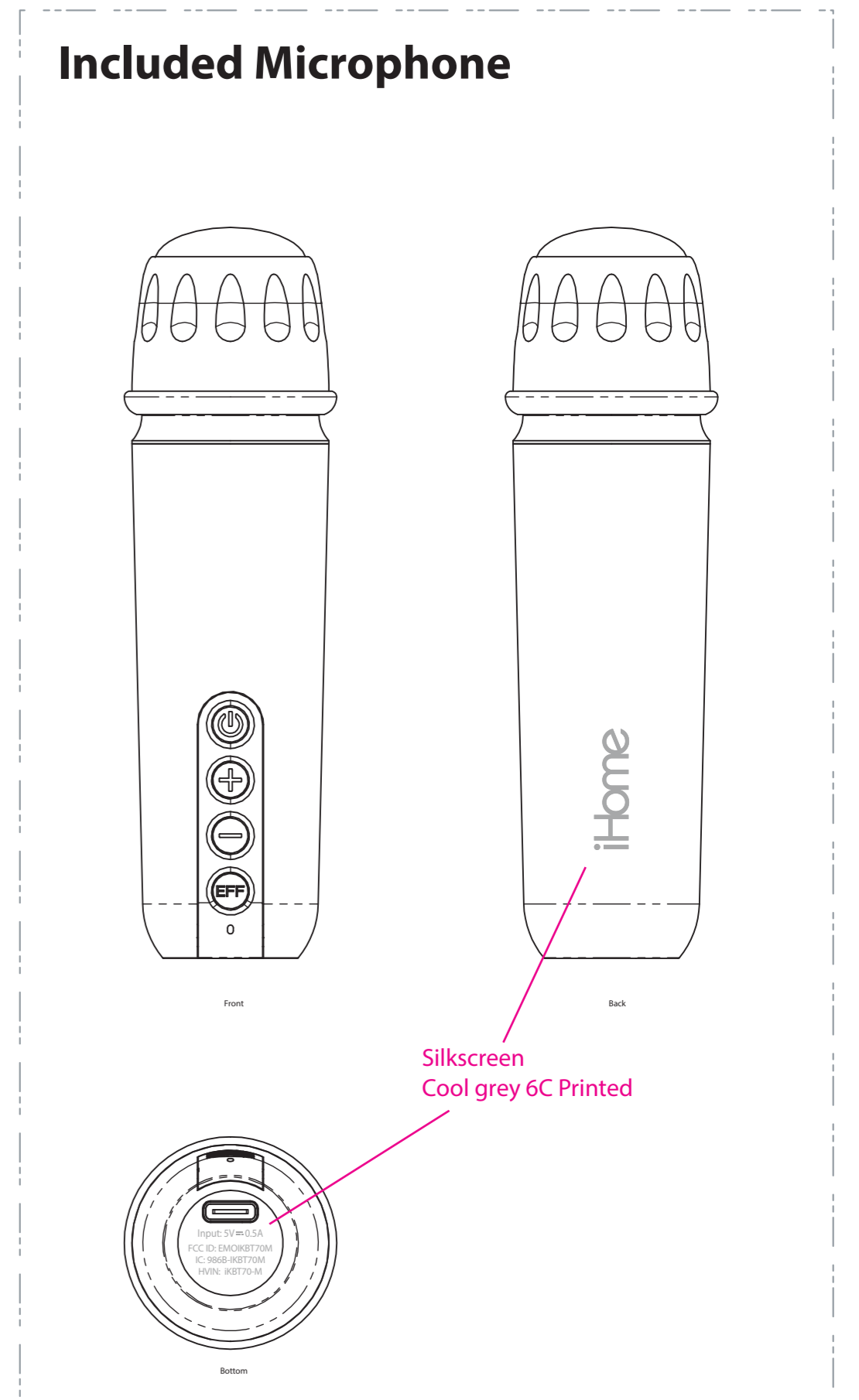
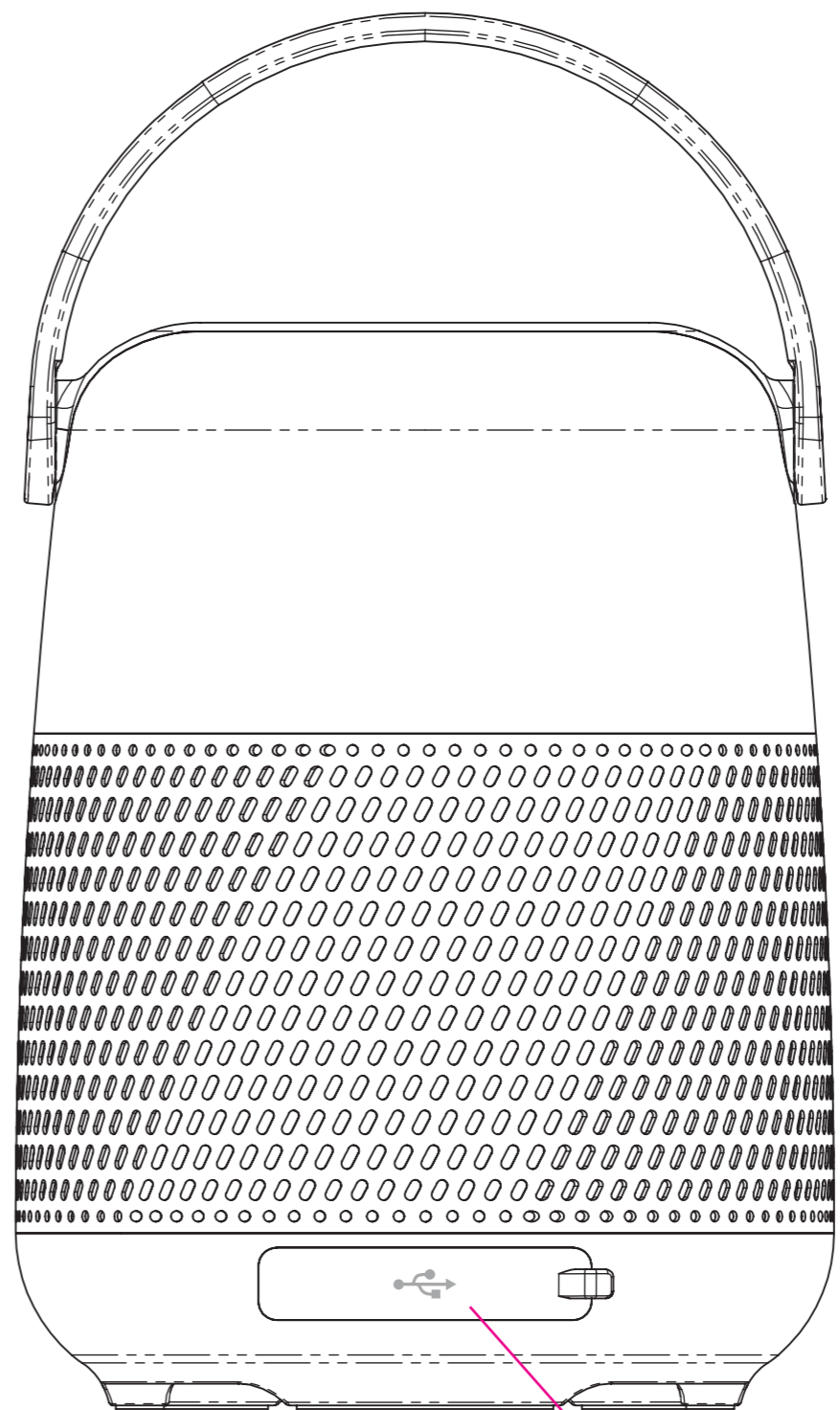
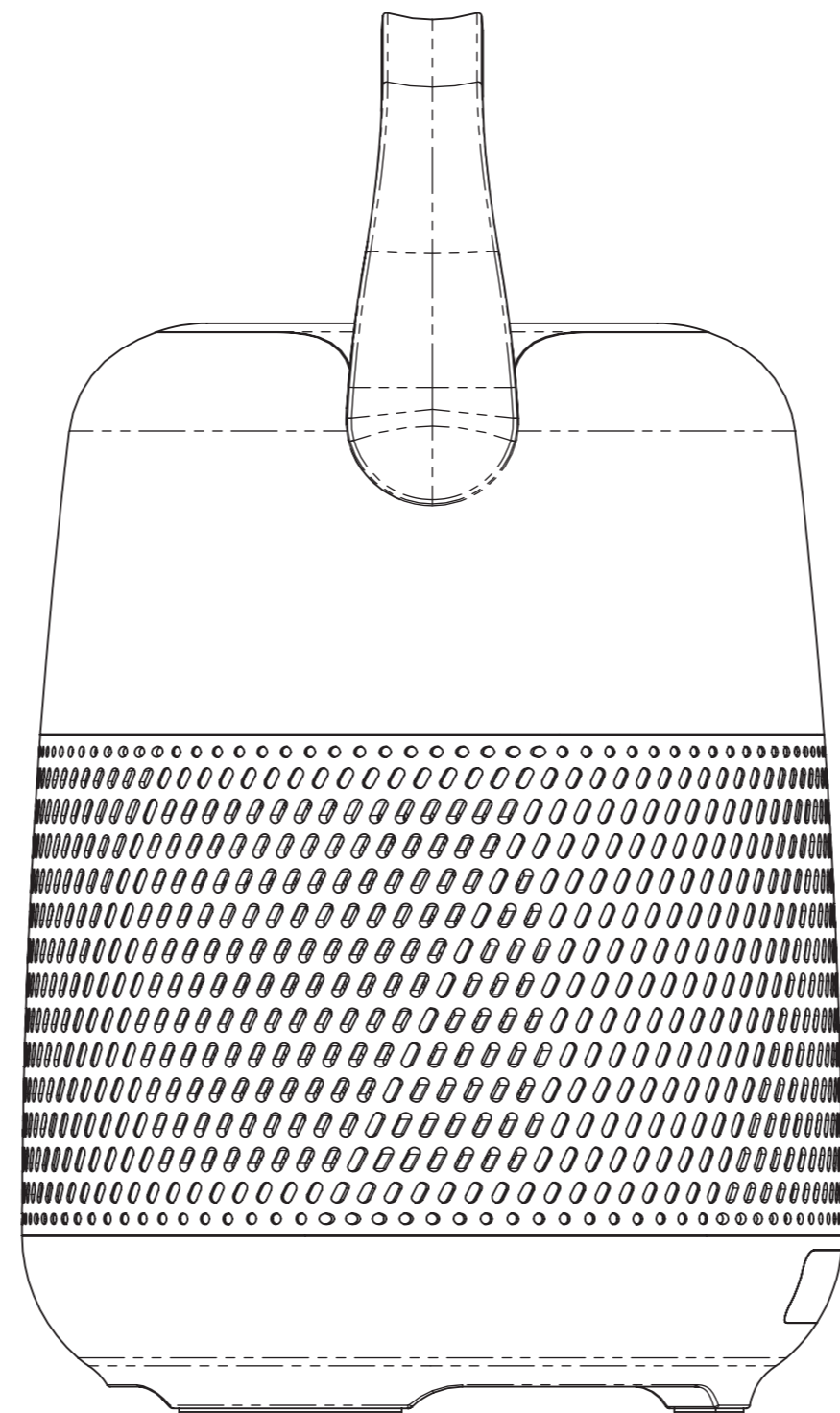
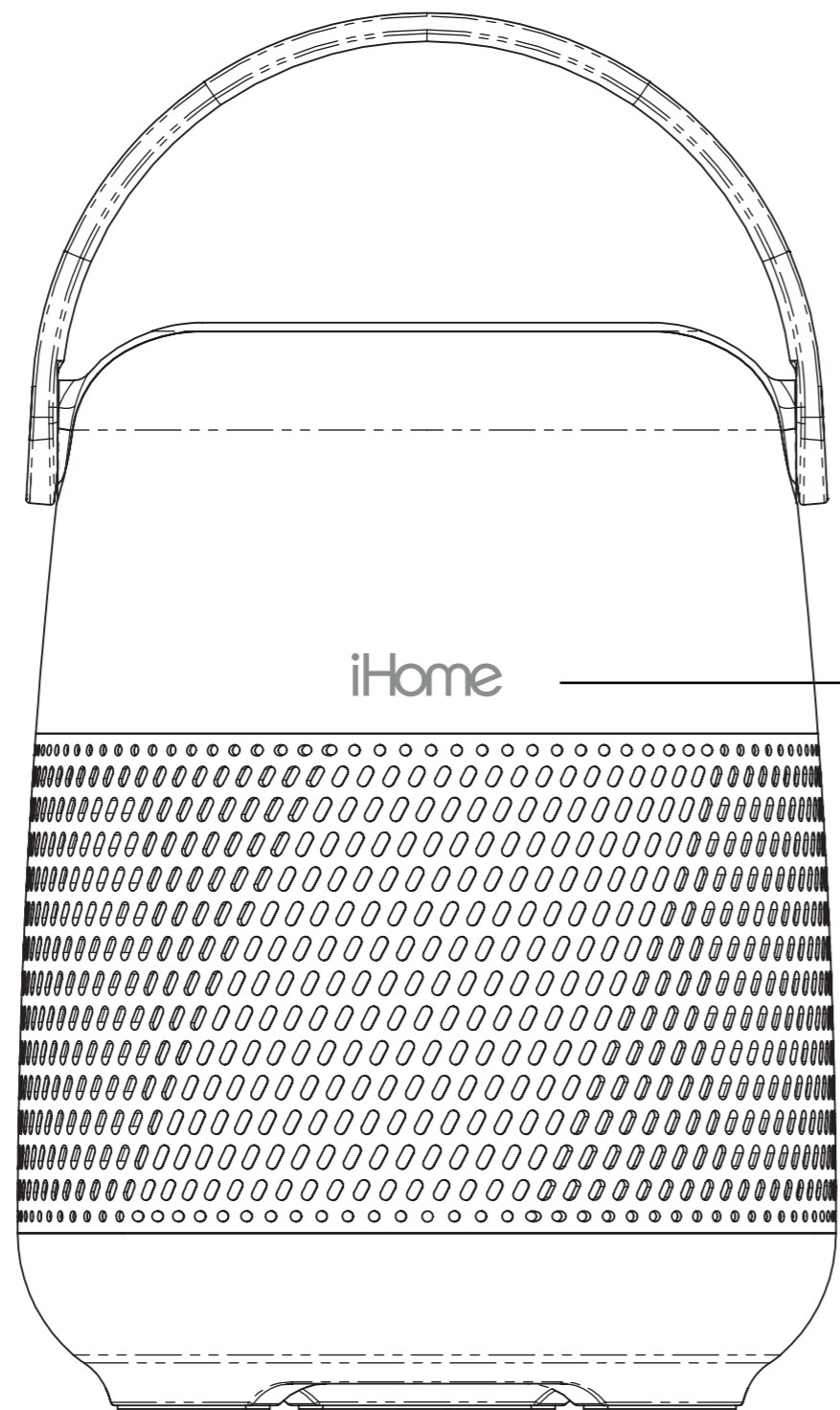
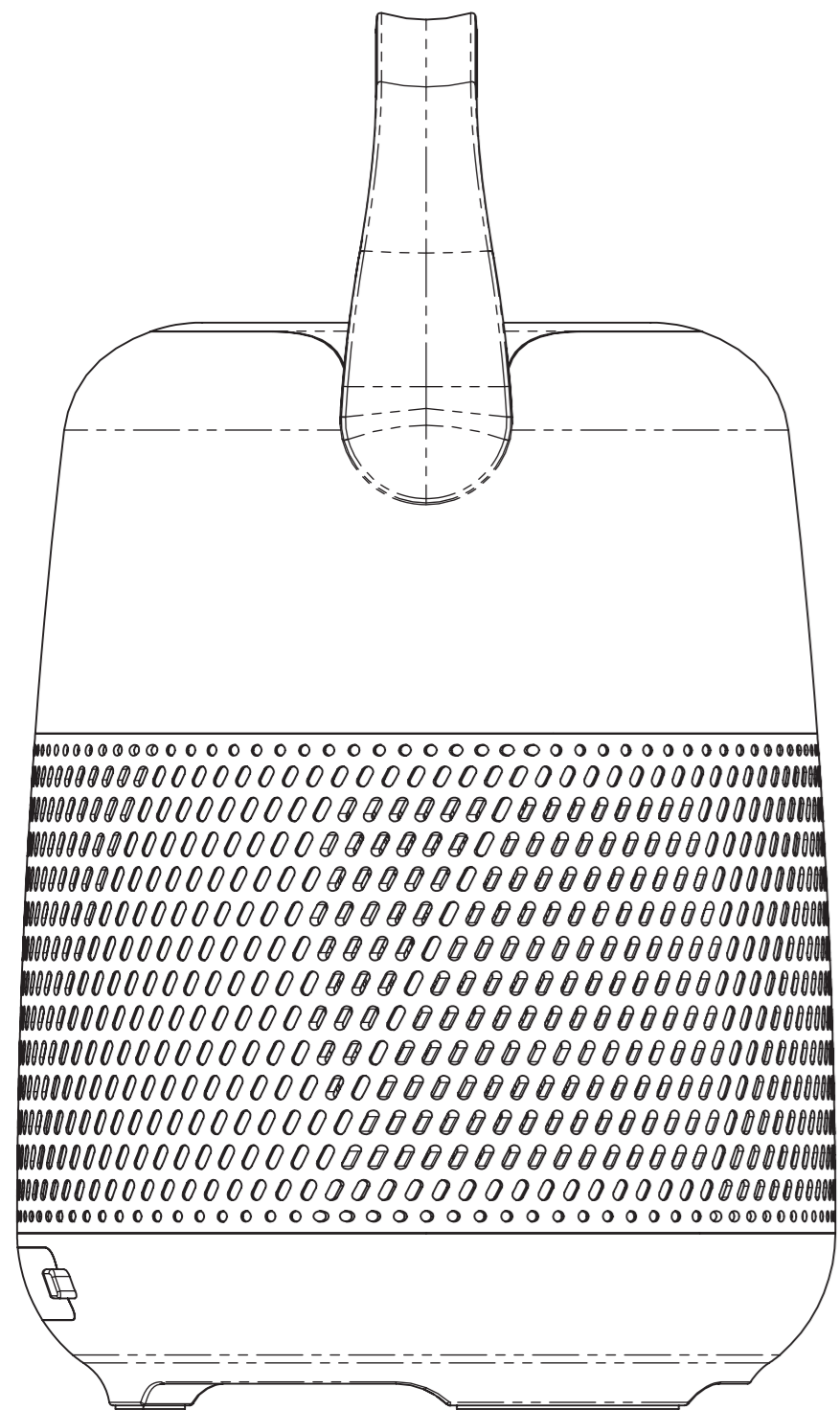
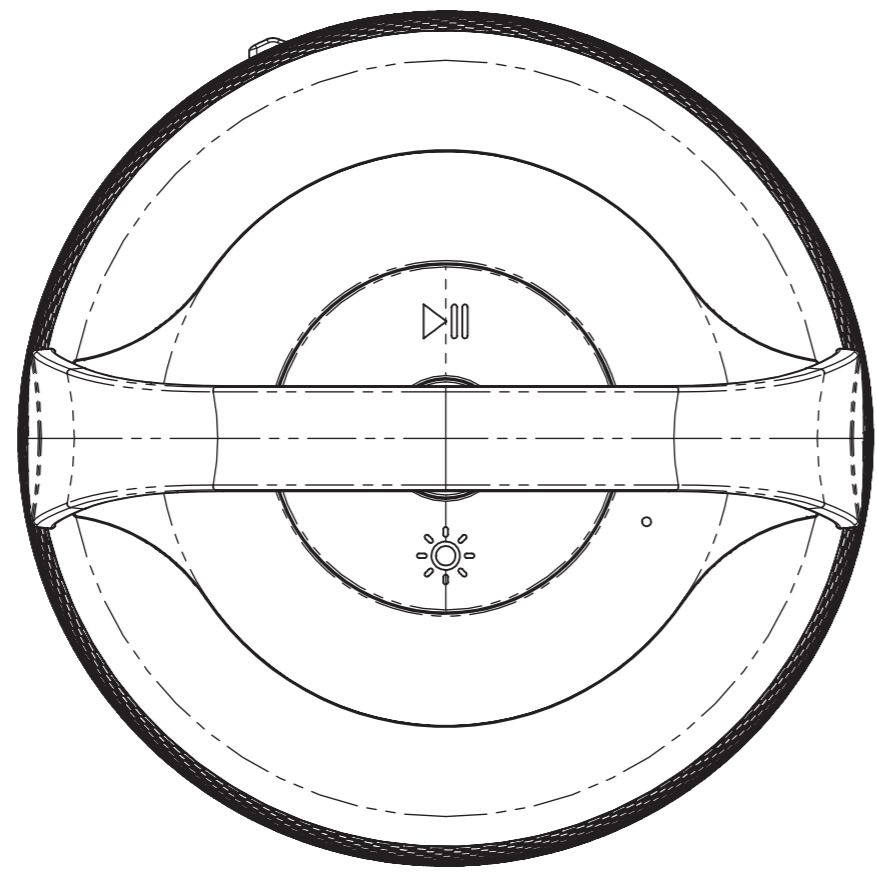


Title: Portable Color Changing Stereo Speaker with Passive Radiator and Microphone
Version: 7 **Model #:** iKBT70
Designer: Nick Silvestri
Date: 2.6.2023

CONFIDENTIAL and PROPRIETARY:
 The information contained herein including, but not limited to the products, renderings, concepts and designs comprise intellectual property of SDI Technologies Inc. and shall be kept confidential and shall not be used or disclosed by the recipient without the written authority of SDI Technologies Inc.



Silkscreen Silver Printed on Inner Diffuser

Silkscreen Cool grey 6C Printed

Laser Etched 6 digits date code

Silkscreen Cool grey 6C Printed



FCC ID : EMOIKBT70M
 IC: 986B-IKBT70M
 HVIN: iKBT70-M