

**iHome**

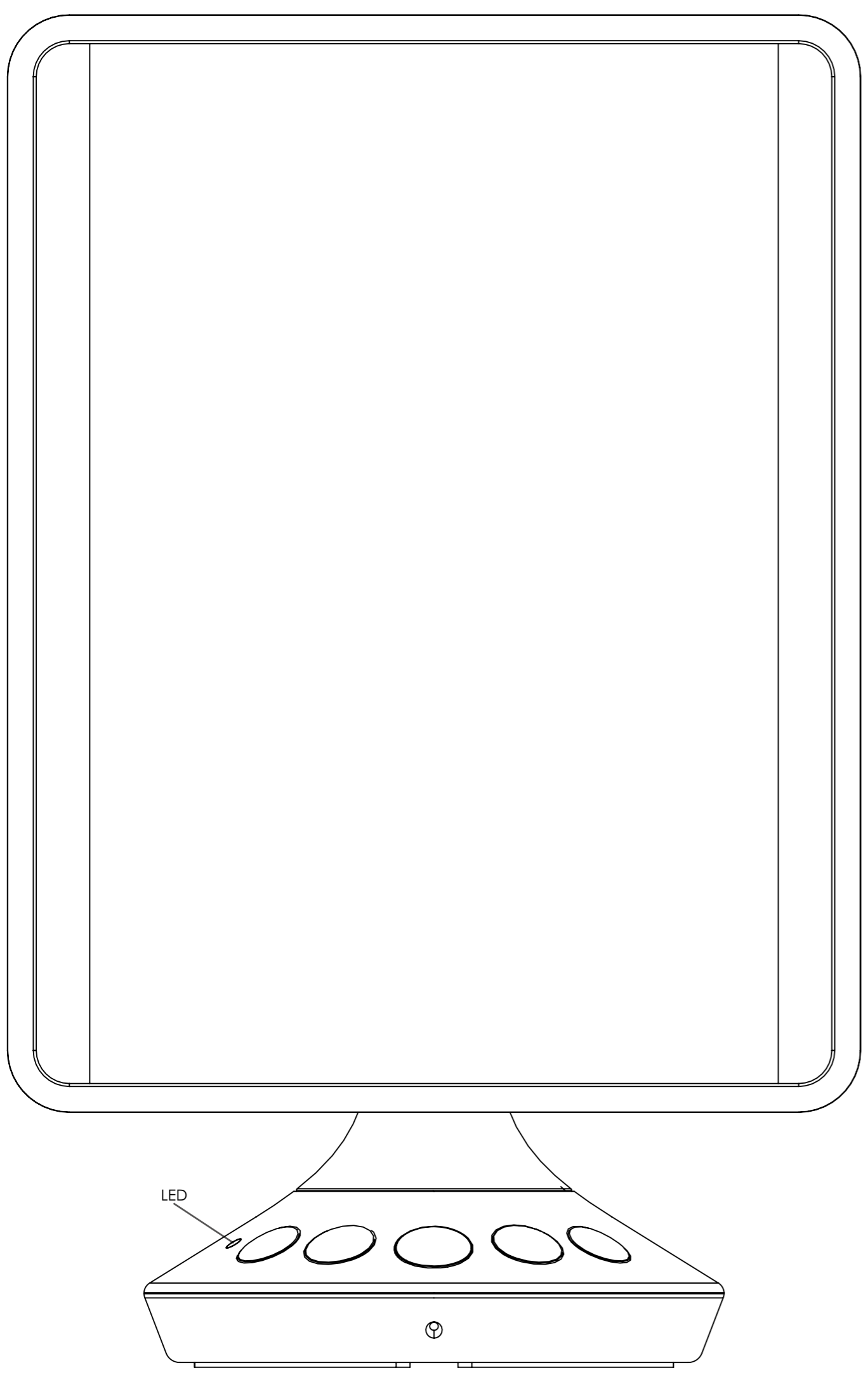
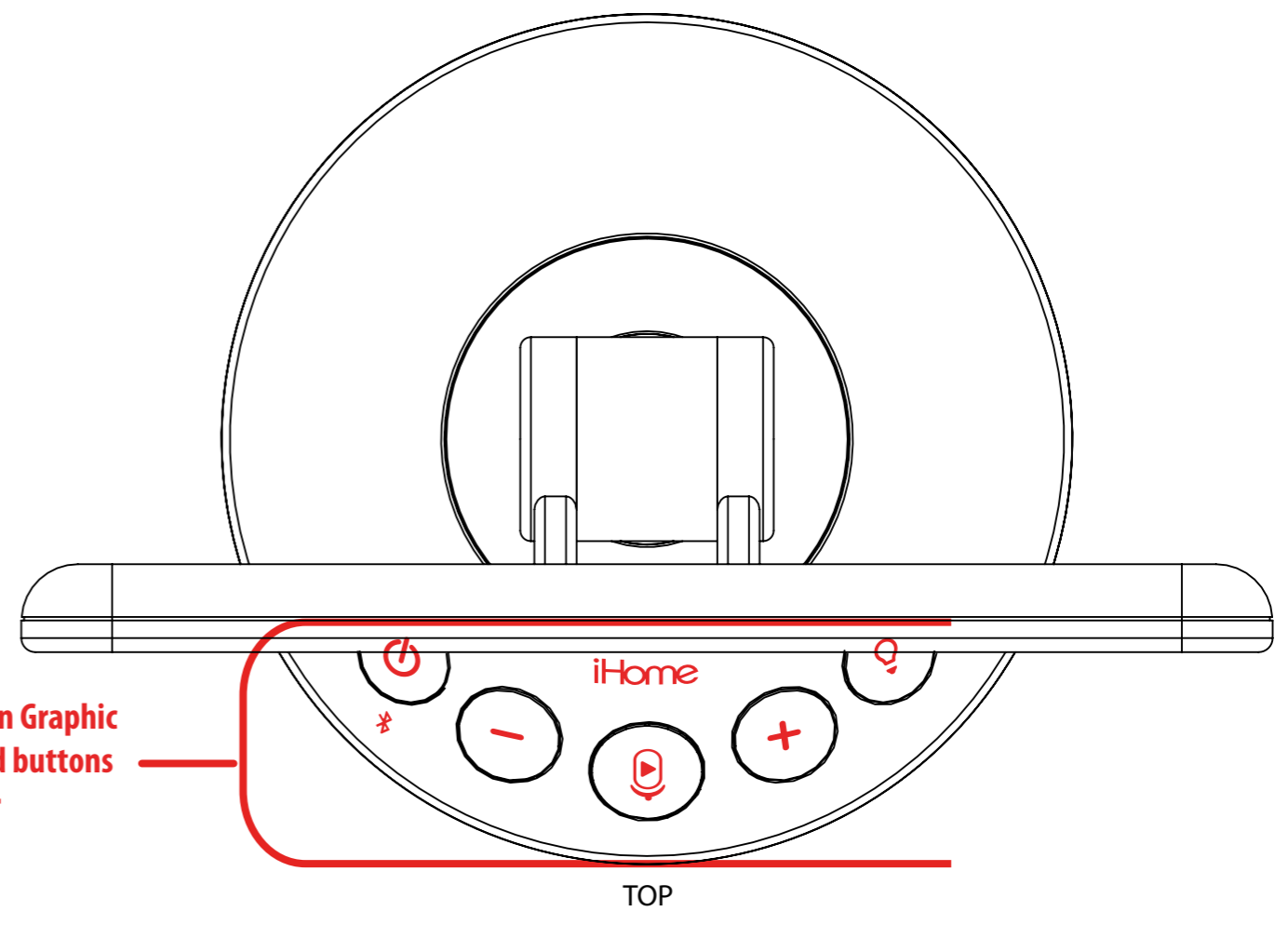
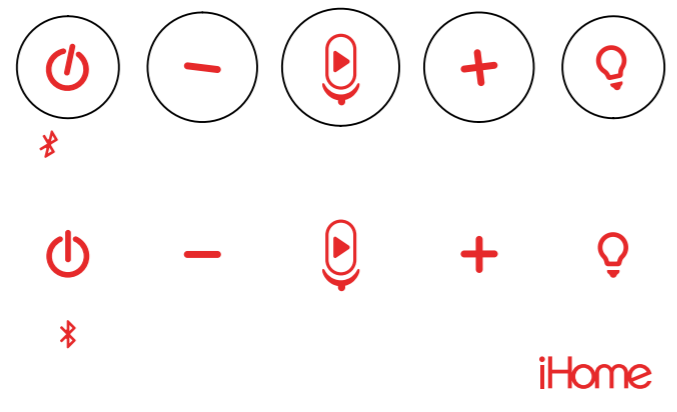
Title: GAW

Version: v1 Model #: iCVBT22

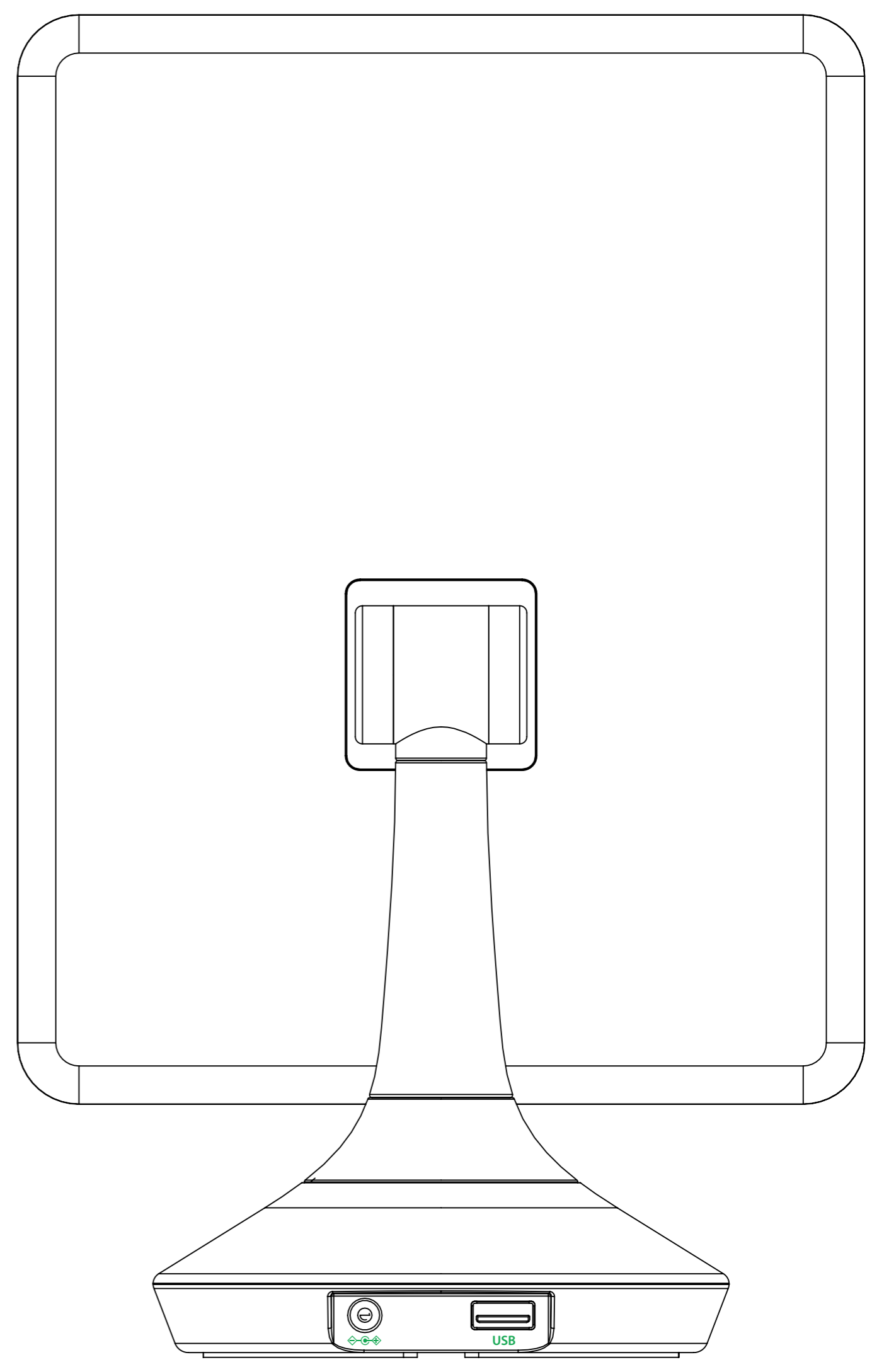
Designer: Mitchell Bailey

Date: 03.29.2019

**CONFIDENTIAL and PROPRIETARY:** The information contained herein including, but not limited to the products, renderings, concepts and designs comprise intellectual property of SDI Technologies Inc. and shall be kept confidential and shall not be used or disclosed by the recipient without the written authority of SDI Technologies Inc.

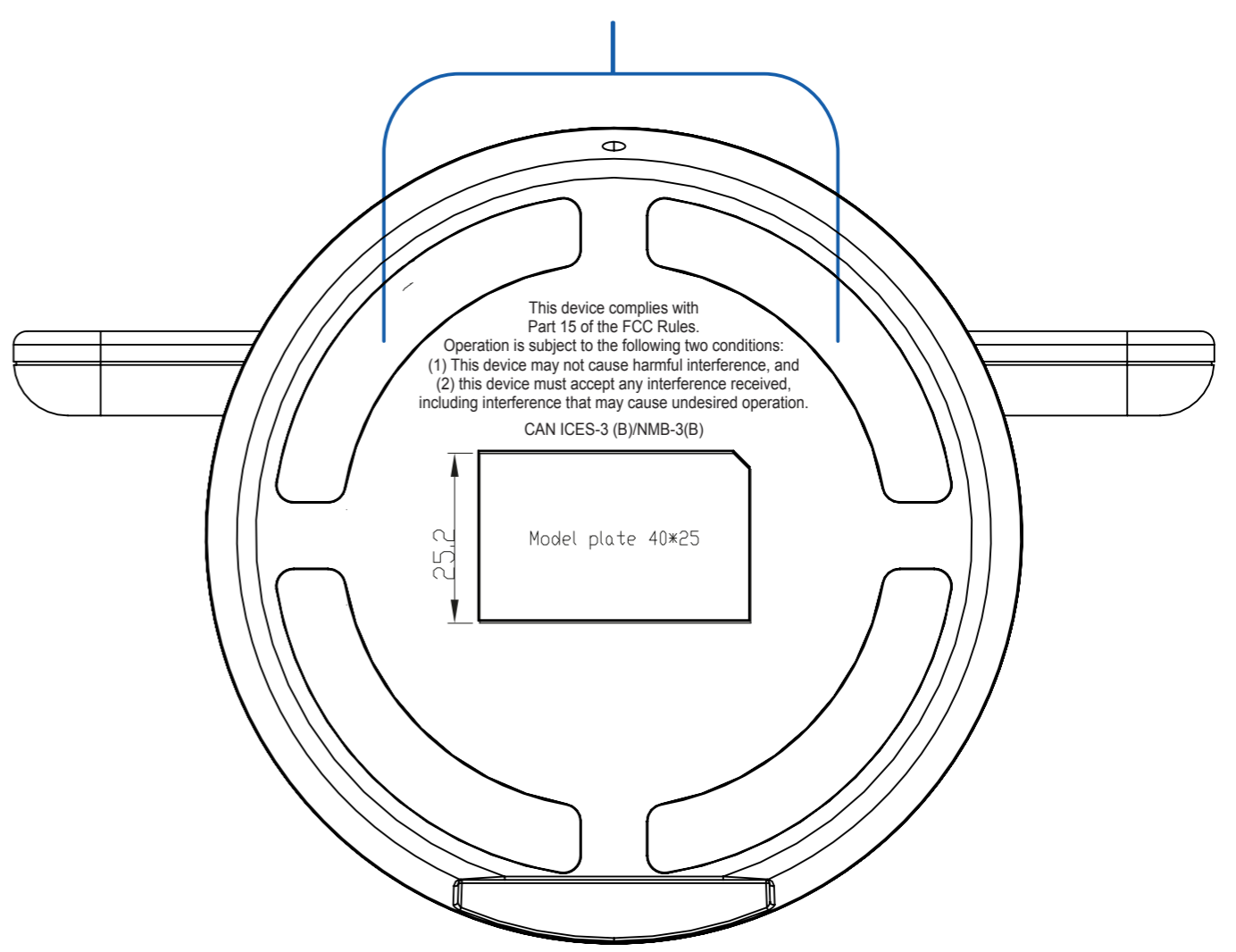


FRONT



BACK

FCC Info - Embossed 0.3mm



BOTTOM

Oct 12, 2021 (new BT module)  
PVC cut sheet  
color: refer to DL

Oct 12, 2021

White background  
Cool grey 6C