

ELECTROMAGNETIC EMISSIONS COMPLIANCE REPORT  
INTENTIONAL RADIATOR CERTIFICATION TO  
FCC PART 15 SUBPART C

Bluetooth Wireless Qi Charging Bedside Alarm Clock With USB Charging

MODEL No.: iBTW39v2, iBTW39v2G, iBTW39v2GE, iBTW39v2X (X denote  
different color cabinet)

Trademark: iHome

FCC ID: EMOIBTW39V2

REPORT NO.: ES190401982W01

ISSUE DATE: June 10, 2019

*Prepared for*

SDI Technologies Inc.  
1299, Main Street, Rahway, NJ 07065, U.S.A

*Prepared by*

EMTEK (SHENZHEN) CO., LTD.

Bldg 69, Majialong Industry Zone, Nanshan District, Shenzhen,  
Guangdong, China  
TEL: 86-755-26954280  
FAX: 86-755-26954282

## TABLE OF CONTENT

| Test Report Description   | Page      |
|---|-----------|
| <b>1. SUMMARY OF TEST RESULTS.....</b>                                | <b>5</b>  |
| <b>2. GENERAL INFORMATION.....</b>                                    | <b>6</b>  |
| 2.1. Description of Device (EUT).....                                 | 6         |
| 2.2. Input / Output Ports.....  | 6         |
| 2.3. Independent Operation Modes.....                                 | 7         |
| 2.4. Test Manner.....   | 7         |
| 2.5. Description of Test Facility.....                                | 7         |
| 2.6. Test Software.....   | 7         |
| 2.7. Description of Support Device.....                               | 8         |
| 2.8. Measurement Uncertainty.....                                     | 8         |
| <b>3. MEASURING DEVICE AND TEST EQUIPMENT.....</b>                    | <b>9</b>  |
| 3.1. Conducted Emission Test Equipment.....                           | 9         |
| 3.2. For 3m Radiated Emission Measurement 9K-30M (3m chamber 1#)..... | 9         |
| 3.3. For 3m Radiated Emission Measurement 30M-1G (3m chamber 1#)..... | 9         |
| <b>4. 20DB BANDWIDTH.....</b>   | <b>10</b> |
| 4.1. Test Procedure.....  | 10        |
| 4.2. Test Results.....  | 10        |
| <b>5. POWER LINE CONDUCTED EMISSION MEASUREMENT.....</b>              | <b>11</b> |
| 5.1. Block Diagram of Test Setup.....                                 | 11        |
| 5.2. Limits.....  | 11        |
| 5.3. Test Procedure.....  | 11        |
| 5.4. Measuring Results.....   | 12        |
| <b>6. RADIATED EMISSION TEST.....</b>                                 | <b>15</b> |
| 6.1. Measurement Procedure.....                                       | 15        |
| 6.2. Test SET-UP (Block Diagram of Configuration).....                | 15        |
| 6.3. Measurement Equipment Used.....                                  | 16        |
| 6.4. Radiated Emission Limit.....                                     | 16        |
| 6.5. Measurement Result.....  | 18        |
| <b>7. PHOTOGRAPHS.....</b>  | <b>26</b> |
| 7.1. Photos of Power Line Conducted Emission Measurement.....         | 26        |
| 7.2. Photos of Radiation Emission Measurement.....                    | 26        |

**TEST REPORT DESCRIPTION**

Applicant : SDI Technologies Inc.  
1299, Main Street, Rahway, NJ 07065, U.S.A

Manufacturer : SDI Technologies Inc.  
1299, Main Street, Rahway, NJ 07065, U.S.A

Factory : DONGGUAN SYNST ELECTRONICS CO.,LTD  
THE SCIENCE & TECHNOLOGY INDUSTRIAL PARK, HOUIE TOWN,  
DONGGUAN, GUANGDONG, CHINA

Trade Mark : iHome

EUT : Bluetooth Wireless Qi Charging Bedside Alarm Clock With USB Charging

Model No. : iBTW39v2, iBTW39v2G, iBTW39v2GE, iBTW39v2X (X denote different  
color cabinet)

**We hereby certify that:**


The above equipment was tested by SHENZHEN EMTEK CO., LTD. The test data, data evaluation, test procedures, and equipment configurations shown in this report were made in accordance with the procedures given in ANSI C63.10 (2013) and the energy emitted by the sample EUT tested as described in this report is in compliance with conducted and radiated emission limits of FCC Rules Part 15C

The test results of this report relate only to the tested sample identified in this report.

Date of Test : April 01, 2019 to June 10, 2019

Prepared by :   
Yaping Shen/Editor

Reviewer :   
Joe Xia/Supervisor

Approved & Authorized Signer :   
Lisa Wang/Manager



## Modified Information

| Version | Report No.     | Revision Data | Summary          |
|---------|----------------|---------------|------------------|
| Ver.1.0 | ES190401982W01 | /             | Original Version |

## 1. SUMMARY OF TEST RESULTS

| <b>EMISSION</b>                                  |  |         |
|--|--|---------|
| Description of Test Item                         | Standard & Limits  | Results |
| Conducted Emission                               | FCC Part 15, Subpart C- Section 15.207<br>ANSI C63.10-2013 | Pass    |
| Radiated Emission                                | FCC Part 15, Subpart C- Section 15.209<br>ANSI C63.10-2013 | Pass    |
| Note: N/A is an abbreviation for Not Applicable. |  |         |

## 2. GENERAL INFORMATION

### 2.1. Description of Device (EUT)

|                             |   |   |
|-----------------------------|---|---|
| EUT                         | : | Bluetooth Wireless Qi Charging Bedside Alarm Clock With USB Charging  |
| Model Number                | : | iBTW39v2, iBTW39v2G, iBTW39v2GE, iBTW39v2X (X denote different color cabinet)   |
| Power Rating                | : | Clock Backup: DC 3V CR2405 x1<br>USB output: DC 5V 1A<br>AC Adapter: DC 9V 3A<br>Wireless Charger: Support Samsung fast charge 9W |
| Operation Frequency for WPT | : | 110KHz-205KHz   |
| Modulation                  | : | ASK   |
| Antenna Type:               | : | Integral Antenna(Induction coil)  |
| Date of Received            | : | April 01, 2019  |
| Date of Test                | : | April 01, 2019 to June 10, 2019   |

### 2.2. Input / Output Ports

| Port #  | Name            | Type* | Cable Max. >3m | Cable Shielded | Comments |
|---|-----------------|-------|----------------|----------------|----------|
| 1   | Enclosure       | N/E   | --             | --             | None     |
| 2   | USB output port | I/O   | No             | --             | 1 port   |
| 3   | DC IN port      | DC    | No             | Unshielded     | 1 port   |
| * Note: For the purposes of the present document, the following symbols apply:<br>AC AC Power Port<br>DC DC Power Port<br>N/E Non-Electrical<br>I/O Signal Input or Output Port (Not Involved in Process Control)<br>TP Telecommunication Ports |                 |       |                |                |          |

### 2.3. Independent Operation Modes

- A                      ON  
1.                      Charging for iPhone by WPT(Full load)

### 2.4. Test Manner

| Test Items         | Test Voltage | Operation Modes |
|--------------------|--------------|-----------------|
| Conducted Emission | AC 120V/60Hz | Mode A.1        |
| Radiated Emission  | AC 120V/60Hz | Mode A.1        |

### 2.5. Description of Test Facility

#### Site Description

EMC Lab. : Accredited by CNAS, 2016.10.24  
The certificate is valid until 2022.10.28  
The Laboratory has been assessed and proved to be in compliance with CNAS-CL01:2006 (identical to ISO/IEC 17025:2005)  
The Certificate Registration Number is L2291.

Accredited by TUV Rheinland Shenzhen 2016.5.19  
The Laboratory has been assessed according to the requirements ISO/IEC 17025.

Accredited by FCC, August 06, 2018  
The certificate is valid until August 07, 2020  
Designation Number: CN1204  
Test Firm Registration Number: 882943

Accredited by Industry Canada, November 09, 2018  
The Conformity Assessment Body Identifier is CN0008.

Accredited by A2LA, July 31, 2017  
The Certificate Number is 4321.01.

Name of Firm : EMTEK (SHENZHEN) CO., LTD.

Site Location : Bldg 69, Majialong Industry Zone, Nanshan District, Shenzhen, Guangdong, China

### 2.6. Test Software

Item                      Software  
Conducted Emission : EMTEK(Ver.CON-03A1)-Shenzhen  
  
Radiated Emission : EMTEK(Ver.RA-03A1)-Shenzhen

## 2.7. Description of Support Device

| No. | Equipment | Trade name | Model | S/N | Power Cord |
|-----|-----------|------------|-------|-----|------------|
| 1.  | Phone     | HUAWEI     | Honor | N/A | N/A        |
| 2.  | iPhone    | Apple      | A1526 | N/A | N/A        |

## 2.8. Measurement Uncertainty

| Test Item                                     | Uncertainty   |
|---|---|
| Conducted Emission Uncertainty                | : 3.16dB(9k~150kHz Conduction 2#)<br>2.90dB(150k-30MHz Conduction 2#)               |
| Radiated Emission Uncertainty<br>(3m Chamber) | : 3.78dB (30M~1GHz Polarize: H)<br>4.27dB (30M~1GHz Polarize: V)<br>4.46dB (1~6GHz) |



### 3. MEASURING DEVICE AND TEST EQUIPMENT

#### 3.1. Conducted Emission Test Equipment

| EQUIPMENT TYPE     | MFR             | MODEL NUMBER | SERIAL NUMBER | LAST CAL.  | DUE CAL.   |
|--------------------|-----------------|--------------|---------------|------------|------------|
| Test Receiver      | Rohde & Schwarz | ESCS30       | 828985/018    | 05/18/2019 | 05/17/2020 |
| L.I.S.N.           | Schwarzbeck     | NNLK8129     | 8129203       | 05/18/2019 | 05/17/2020 |
| 50Ω Coaxial Switch | Anritsu         | MP59B        | M20531        | 05/18/2019 | 05/17/2020 |
| Pulse Limiter      | Rohde & Schwarz | ESH3-Z2      | 100006        | 05/18/2019 | 05/17/2020 |
| Voltage Probe      | Rohde & Schwarz | TK9416       | N/A           | 05/18/2019 | 05/17/2020 |
| I.S.N              | Rohde & Schwarz | ENY22        | 1109.9508.02  | 05/18/2019 | 05/17/2020 |

#### 3.2. For 3m Radiated Emission Measurement 9K-30M (3m chamber 1#)

| Equipment         | Manufacturer    | Model No.        | Serial No.   | Last Cal.  | DUE CAL.   |
|-------------------|-----------------|------------------|--------------|------------|------------|
| EMI Test Receiver | Rohde & Schwarz | ESU              | 1302.6005.26 | 05/18/2019 | 05/17/2020 |
| Loop Antenna      | Schwarzbeck     | FMZB 1519        | 1519-012     | 05/18/2019 | 05/17/2020 |
| Cable             |                 | 3M<br>SF104-26.5 | 295838/4     | 05/18/2019 | 05/17/2020 |
| Cable             |                 | 6M<br>SF104-26.5 | 295840/4     | 05/18/2019 | 05/17/2020 |

#### 3.3. For 3m Radiated Emission Measurement 30M-1G (3m chamber 1#)

| Equipment         | Manufacturer    | Model No. | Serial No.   | Last Cal.  | Cal. Interval |
|-------------------|-----------------|-----------|--------------|------------|---------------|
| EMI Test Receiver | Rohde & Schwarz | ESU       | 1302.6005.26 | 05/18/2019 | 05/17/2020    |
| Pre-Amplifier     | HP              | 8447F     | 2944A07999   | 05/18/2019 | 05/17/2020    |
| Bilog Antenna     | Schwarzbeck     | VULB9163  | 142          | 05/18/2019 | 05/17/2020    |
| Cable             | Schwarzbeck     | AK9513    | ACRX1        | 05/18/2019 | 05/17/2020    |
| Cable             | Rosenberger     | N/A       | FP2RX2       | 05/18/2019 | 05/17/2020    |
| Cable             | Schwarzbeck     | AK9513    | CRPX1        | 05/18/2019 | 05/17/2020    |
| Cable             | Schwarzbeck     | AK9513    | CRRX2        | 05/18/2019 | 05/17/2020    |

## 4. 20DB BANDWIDTH

### 4.1. Test Procedure

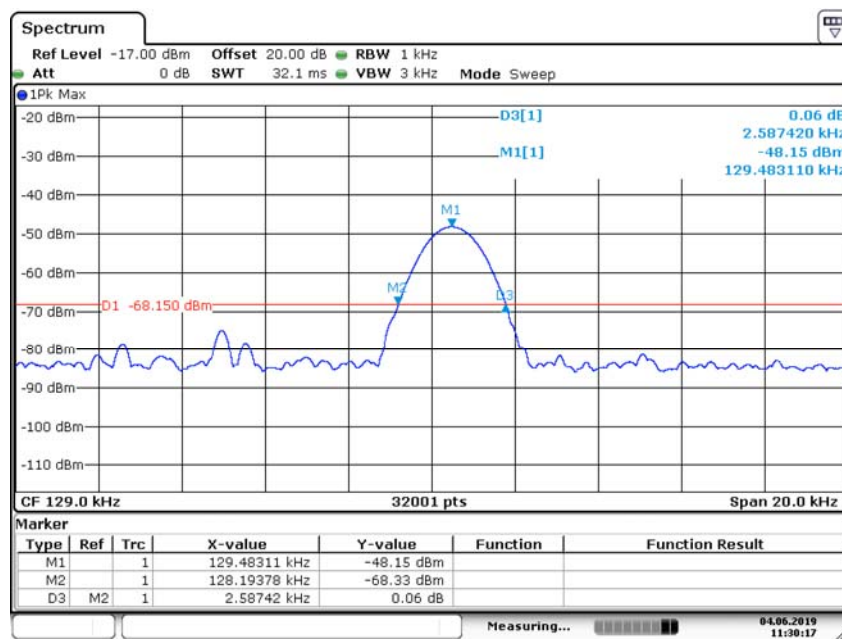
Set to the maximum power setting and enable the EUT transmit continuously  
 Set RBW = 3kHz.  
 Set the video bandwidth (VBW) =10kHz.  
 Set Span= 20KHz  
 Set Detector = Peak.  
 Set Trace mode = max hold.  
 Set Sweep = auto couple.  
 Measure and record the results in the test report.

### 4.2. Test Results

Temperature: 24 °C  
 Humidity: 53 %

Test Date: June 04, 2019  
 Test By: KK

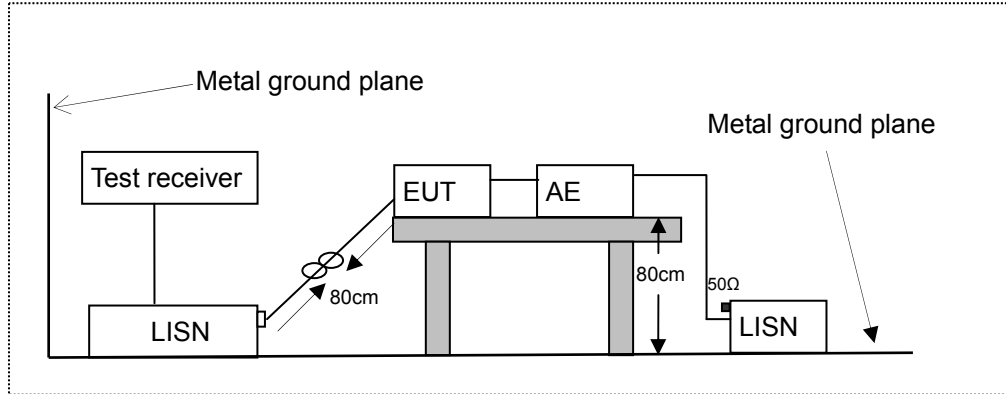
20dB Band=2.587kHz



Date: 4 JUN 2019 11:30:18

## 5. POWER LINE CONDUCTED EMISSION MEASUREMENT

### 5.1. Block Diagram of Test Setup



LISN: Line Impedance Stabilization Network  
 AE: Associated equipment  
 EUT: Equipment under test

### 5.2. Limits

FCC Part 15.207

| Frequency (MHz) | Limit (dB $\mu$ V) |               |
|-----------------|--------------------|---------------|
|                 | Quasi-peak Level   | Average Level |
| 0.15 ~ 0.50     | 66.0 ~ 56.0 *      | 56.0 ~ 46.0 * |
| 0.50 ~ 5.00     | 56.0               | 46.0          |
| 5.00 ~ 30.00    | 60.0               | 50.0          |

NOTE1-The lower limit shall apply at the transition frequencies.  
 NOTE2-The limit decreases linearly with the logarithm of the frequency in the range 0.15MHz to 0.50MHz.

### 5.3. Test Procedure

The EUT was placed on a desk 0.8 m height from the metal ground plane and 0.4 m from the conducting wall of the shielding room and it was kept at least 0.8 m from any other grounded conducting surface. The size of the table will nominally be 1.5 m x1.0 m.

The rear of the arrangement shall be flush with the back of the supporting tabletop unless that would not be possible or typical of normal use.

All units of equipment forming the system under test (includes the EUT as well as connected peripherals and associated equipment or devices) shall be arranged such that a nominal 0.1 m separation is achieved between the neighboring units.

Connect EUT to the power mains through a line impedance stabilization network (LISN). Where the mains cable supplied by the manufacturer is longer than 1 m, the excess should be folded at the centre into a bundle no longer than 0.4 m, so that its length is shortened to 1 m.

All the support units are connecting to the other LISN.

The LISN provides 50 ohm coupling impedance for the measuring instrument.

Both sides of AC line were checked for maximum conducted interference.

The frequency range from 150 kHz to 30 MHz was sweep.

Set the test-receiver system to quasi peak detect function and average detect function, and to measure the conducted emissions values.

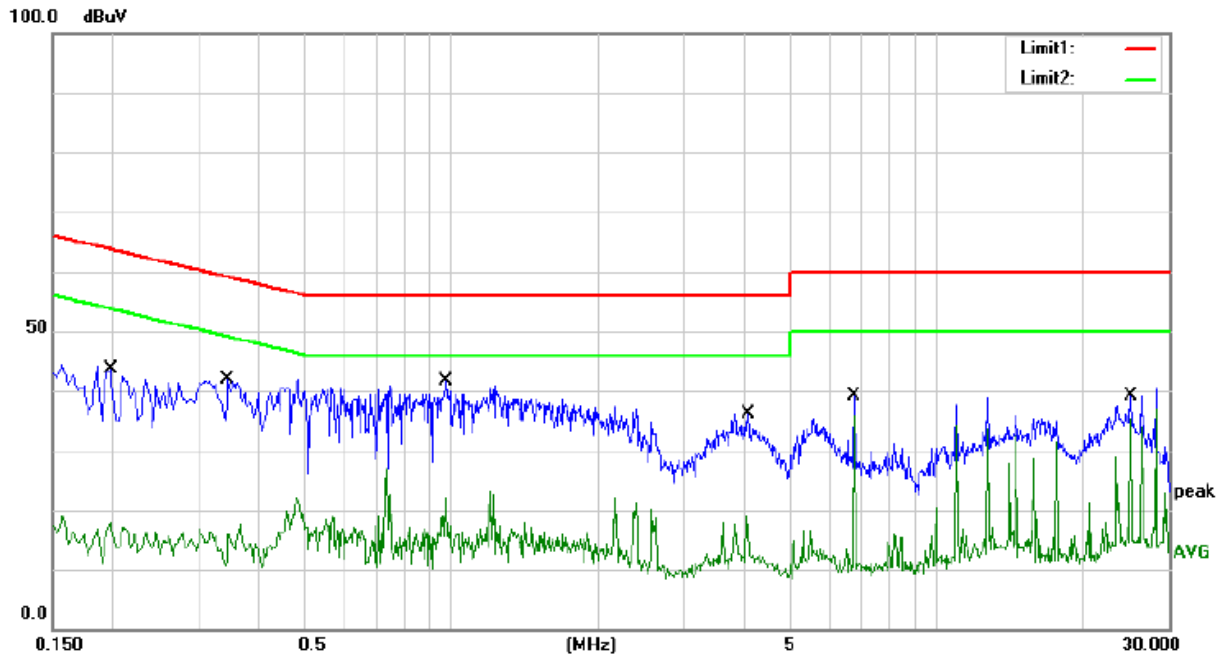
Test results were obtained from the following equation:

Emission Level (dB $\mu$ V) = LISN Factor (dB) + Cable Loss (dB) + Reading (dB $\mu$ V)

Margin (dB) = Emission Level (dB $\mu$ V) - Limit (dB $\mu$ V)

#### 5.4. Measuring Results

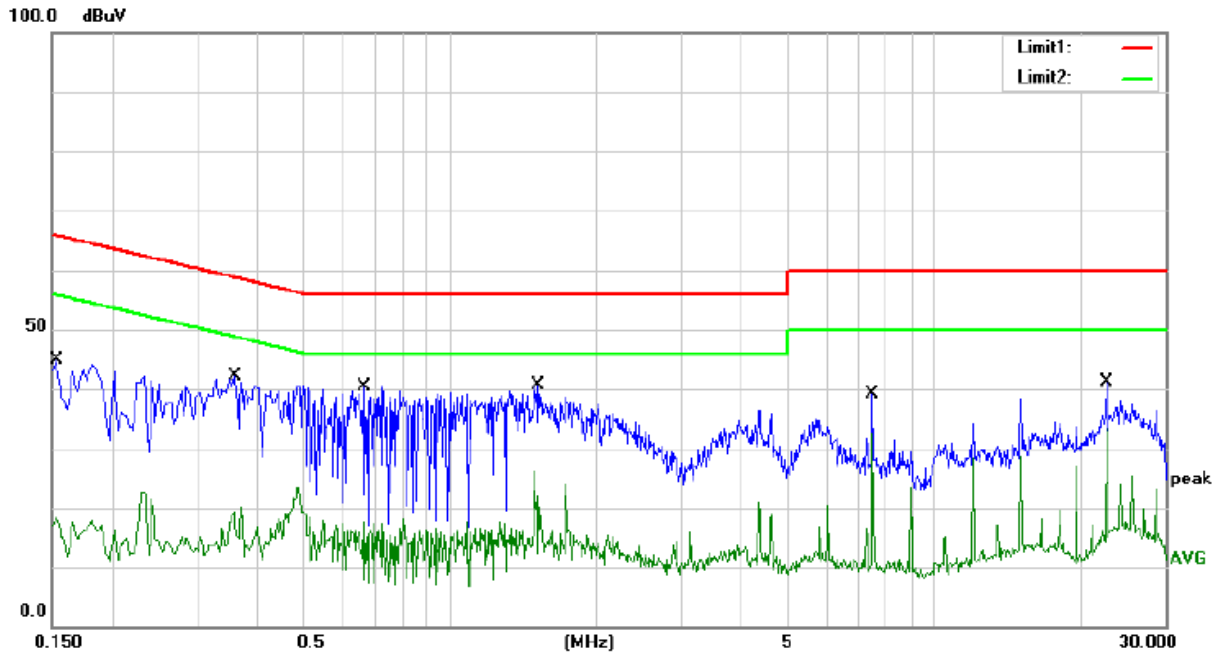
**PASS.**



Site: Conduction #1  
 Limit: (CE)FCC PART 15.207  
 Mode: CHARGING FOR IPHONE  
 Note:

Phase: **L1**  
 Power: AC 120V/60Hz  
 Temperature: 24.9  
 Humidity: 54 %

| No. | Mk. | Freq.<br>MHz | Reading<br>Level<br>dBuV | Correct<br>Factor<br>dB | Measure-<br>ment<br>dBuV | Limit<br>dBuV | Over<br>dB | Detector | Comment |
|-----|-----|--------------|--------------------------|-------------------------|--------------------------|---------------|------------|----------|---------|
| 1   |     | 0.1980       | 34.11                    | 9.55                    | 43.66                    | 63.69         | -20.03     | QP       |         |
| 2   |     | 0.1980       | 9.58                     | 9.55                    | 19.13                    | 53.69         | -34.56     | AVG      |         |
| 3   |     | 0.3460       | 32.38                    | 9.55                    | 41.93                    | 59.06         | -17.13     | QP       |         |
| 4   |     | 0.3460       | 12.58                    | 9.55                    | 22.13                    | 49.06         | -26.93     | AVG      |         |
| 5   |     | 0.9740       | 32.03                    | 9.58                    | 41.61                    | 56.00         | -14.39     | QP       |         |
| 6   |     | 0.9740       | 17.39                    | 9.58                    | 26.97                    | 46.00         | -19.03     | AVG      |         |
| 7   |     | 4.0900       | 26.61                    | 9.64                    | 36.25                    | 56.00         | -19.75     | QP       |         |
| 8   |     | 4.0900       | 9.46                     | 9.64                    | 19.10                    | 46.00         | -26.90     | AVG      |         |
| 9   |     | 6.7500       | 29.43                    | 9.70                    | 39.13                    | 60.00         | -20.87     | QP       |         |
| 10  |     | 6.7500       | 26.18                    | 9.70                    | 35.88                    | 50.00         | -14.12     | AVG      |         |
| 11  |     | 25.0900      | 28.92                    | 10.31                   | 39.23                    | 60.00         | -20.77     | QP       |         |
| 12  | *   | 25.0900      | 26.46                    | 10.31                   | 36.77                    | 50.00         | -13.23     | AVG      |         |



Site: Conduction #1  
 Limit: (CE)FCC PART 15.207  
 Mode: CHARGING FOR IPHONE  
 Note:

Phase: *N*  
 Power: AC 120V/60Hz

Temperature: 24.9  
 Humidity: 54 %

| No. | Mk. | Freq.<br>MHz | Reading<br>Level<br>dBuV | Correct<br>Factor<br>dB | Measure-<br>ment<br>dBuV | Limit<br>dBuV | Over<br>dB | Detector | Comment |
|-----|-----|--------------|--------------------------|-------------------------|--------------------------|---------------|------------|----------|---------|
| 1   |     | 0.1540       | 35.18                    | 9.65                    | 44.83                    | 65.78         | -20.95     | QP       |         |
| 2   |     | 0.1540       | 8.83                     | 9.65                    | 18.48                    | 55.78         | -37.30     | AVG      |         |
| 3   |     | 0.3580       | 32.60                    | 9.55                    | 42.15                    | 58.77         | -16.62     | QP       |         |
| 4   |     | 0.3580       | 10.51                    | 9.55                    | 20.06                    | 48.77         | -28.71     | AVG      |         |
| 5   |     | 0.6620       | 30.90                    | 9.57                    | 40.47                    | 56.00         | -15.53     | QP       |         |
| 6   |     | 0.6620       | 8.28                     | 9.57                    | 17.85                    | 46.00         | -28.15     | AVG      |         |
| 7   | *   | 1.5180       | 31.16                    | 9.59                    | 40.75                    | 56.00         | -15.25     | QP       |         |
| 8   |     | 1.5180       | 16.58                    | 9.59                    | 26.17                    | 46.00         | -19.83     | AVG      |         |
| 9   |     | 7.4820       | 29.52                    | 9.72                    | 39.24                    | 60.00         | -20.76     | QP       |         |
| 10  |     | 7.4820       | 23.00                    | 9.72                    | 32.72                    | 50.00         | -17.28     | AVG      |         |
| 11  |     | 22.7380      | 30.68                    | 10.33                   | 41.01                    | 60.00         | -18.99     | QP       |         |
| 12  |     | 22.7380      | 23.15                    | 10.33                   | 33.48                    | 50.00         | -16.52     | AVG      |         |

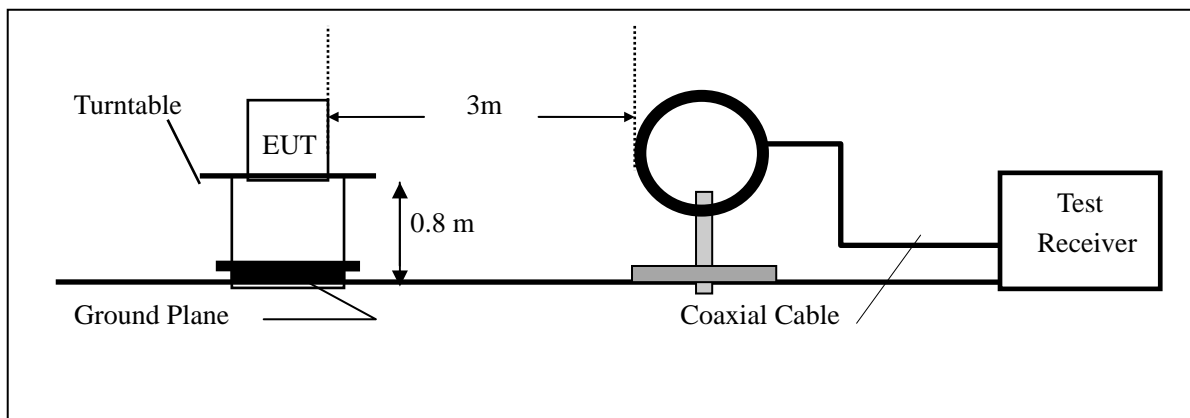
## 6. RADIATED EMISSION TEST

### 6.1. Measurement Procedure

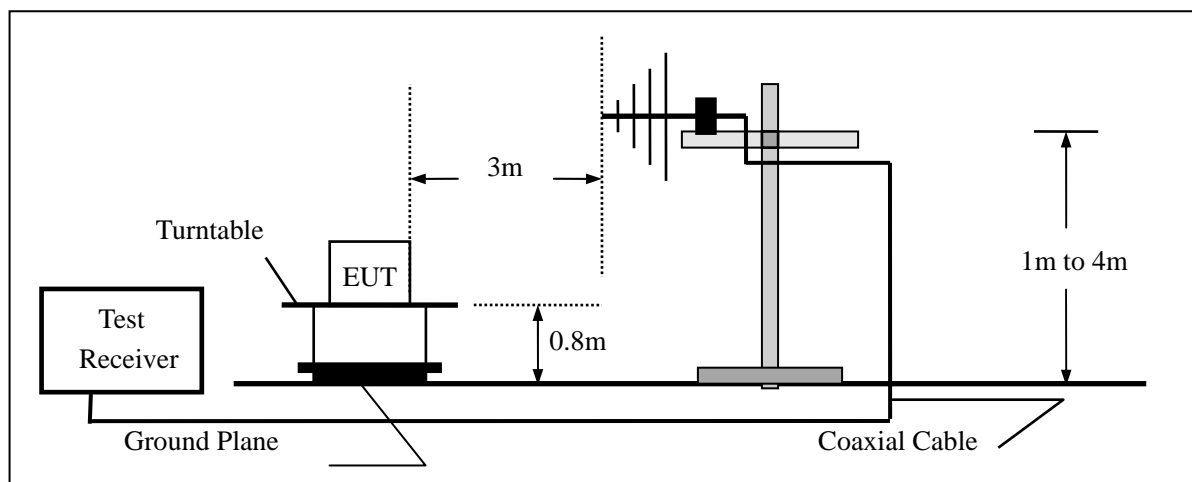
1. The EUT was placed on a turn table which is 0.8m above ground plane.
2. Maximum procedure was performed on the six highest emissions to ensure EUT compliance.
3. And also, each emission was to be maximized by changing the polarization of receiving antenna both horizontal and vertical.
4. Repeat above procedures until all frequency measured were complete.
5. Use the following receiver/spectrum analyzer settings:  
 Span = wide enough to fully capture the emission being measured  
 RBW=200Hz for 9KHz to 150KHz,  
 RBW=9kHz for 150KHz to 30MHz,  
 RBW=120KHz for 30MHz to 1GHz  
 VBW  $\geq$  3\*RBW  
 Sweep = auto  
 Detector function = QP  
 Trace = max hold

### 6.2. Test SET-UP (Block Diagram of Configuration)

(A) Radiated Emission Test Set-Up, Frequency Below 30MHz



(B) Radiated Emission Test Set-Up, Frequency Below 1000MHz



### 6.3. Measurement Equipment Used

| EQUIPMENT TYPE    | MFR             | MODEL NUMBER | SERIAL NUMBER | LAST CAL.  | CAL DUE.   |
|-------------------|-----------------|--------------|---------------|------------|------------|
| EMI Test Receiver | Rohde & Schwarz | ESU          | 1302.6005.26  | 05/18/2019 | 05/17/2020 |
| Pre-Amplifier     | HP              | 8447D        | 2944A07999    | 05/18/2019 | 05/17/2020 |
| Bilog Antenna     | Schwarzbeck     | VULB9163     | 142           | 05/18/2019 | 05/17/2020 |
| Loop Antenna      | ARA             | PLA-1030/B   | 1029          | 05/18/2019 | 05/17/2020 |
| Horn Antenna      | Schwarzbeck     | BBHA 9170    | BBHA9170399   | 05/18/2019 | 05/17/2020 |
| Horn Antenna      | Schwarzbeck     | BBHA 9120    | D143          | 05/18/2019 | 05/17/2020 |
| Cable             | Schwarzbeck     | AK9513       | ACRX1         | 05/18/2019 | 05/17/2020 |
| Cable             | Rosenberger     | N/A          | FP2RX2        | 05/18/2019 | 05/17/2020 |
| Cable             | Schwarzbeck     | AK9513       | CRPX1         | 05/18/2019 | 05/17/2020 |
| Cable             | Schwarzbeck     | AK9513       | CRRX2         | 05/18/2019 | 05/17/2020 |

### 6.4. Radiated Emission Limit

The emissions from an intentional radiator shall not exceed the field strength levels specified in the following table 15.209(a):

| FCC Part 15.209 |                           |      |   |                         |
|-----------------|---------------------------|------|---|-------------------------|
| Frequency (MHz) | Field Strength Limitation |      | Field Strength Limitation Frequency tion at 3m Measurement Dist |                         |
|                 | (uV/m)                    | Dist | (uV/m)  | (dBuV/m)                |
| 0.009 – 0.490   | 2400 / F(KHz)             | 300m | 10000 * 2400/F(KHz)   | 20log 2400/F(KHz) + 80  |
| 0.490 – 1.705   | 24000 / F(KHz)            | 30m  | 100 * 24000/F(KHz)  | 20log 24000/F(KHz) + 40 |
| 1.705 – 30.00   | 30                        | 30m  | 100* 30   | 20log 30 + 40           |
| 30.0 – 88.0     | 100                       | 3m   | 100   | 20log 100               |
| 88.0 – 216.0    | 150                       | 3m   | 150   | 20log 150               |
| 216.0 – 960.0   | 200                       | 3m   | 200   | 20log 200               |
| Above 960.0     | 500                       | 3m   | 500   | 20log 500               |

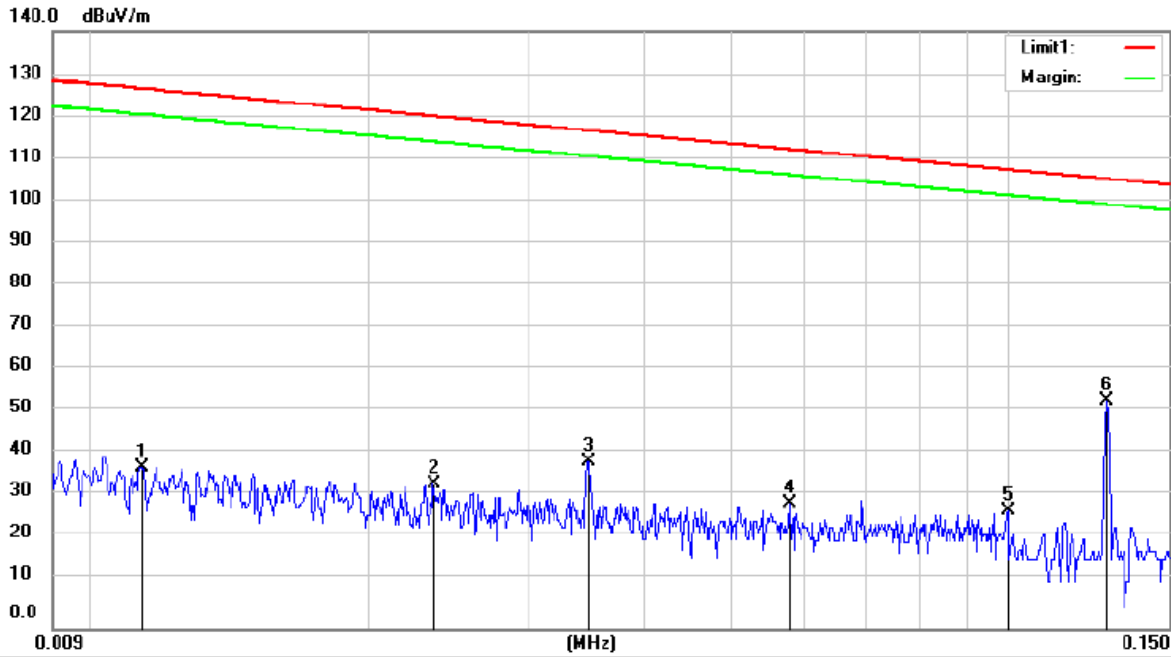


## 15.205 Restricted bands of operation

| MHz                        | MHz                   | MHz             | GHz              |
|----------------------------|-----------------------|-----------------|------------------|
| 0.090 - 0.110              | 16.42 - 16.423        | 399.9 - 410     | 4.5 - 5.15       |
| <sup>1</sup> 0.495 - 0.505 | 16.69475 - 16.69525   | 608 - 614       | 5.35 - 5.46      |
| 2.1735 - 2.1905            | 16.80425 - 16.80475   | 960 - 1240      | 7.25 - 7.75      |
| 4.125 - 4.128              | 25.5 - 25.67          | 1300 - 1427     | 8.025 - 8.5      |
| 4.17725 - 4.17775          | 37.5 - 38.25          | 1435 - 1626.5   | 9.0 - 9.2        |
| 4.20725 - 4.20775          | 73 - 74.6             | 1645.5 - 1646.5 | 9.3 - 9.5        |
| 6.215 - 6.218              | 74.8 - 75.2           | 1660 - 1710     | 10.6 - 12.7      |
| 6.26775 - 6.26825          | 108 - 121.94          | 1718.8 - 1722.2 | 13.25 - 13.4     |
| 6.31175 - 6.31225          | 123 - 138             | 2200 - 2300     | 14.47 - 14.5     |
| 8.291 - 8.294              | 149.9 - 150.05        | 2310 - 2390     | 15.35 - 16.2     |
| 8.362 - 8.366              | 156.52475 - 156.52525 | 2483.5 - 2500   | 17.7 - 21.4      |
| 8.37625 - 8.38675          | 156.7 - 156.9         | 2690 - 2900     | 22.01 - 23.12    |
| 8.41425 - 8.41475          | 162.0125 - 167.17     | 3260 - 3267     | 23.6 - 24.0      |
| 12.29 - 12.293             | 167.72 - 173.2        | 3332 - 3339     | 31.2 - 31.8      |
| 12.51975 - 12.52025        | 240 - 285             | 3345.8 - 3358   | 36.43 - 36.5     |
| 12.57675 - 12.57725        | 322 - 335.4           | 3600 - 4400     | ( <sup>2</sup> ) |

- Remark:
1. Emission level in dBuV/m=20 log (uV/m)
  2. Measurement was performed at an antenna to the closed point of EUT distance of meters.
  3. Only spurious frequency is permitted to locate within the Restricted Bands specified in provision of  $\xi$  15.205, and the emissions located in restricted bands also comply with 15.209 limit.





Site 3m Chamber #3

Polarization: Y

Temperature: 27 C

Limit: (RE)FCC PART 15 C

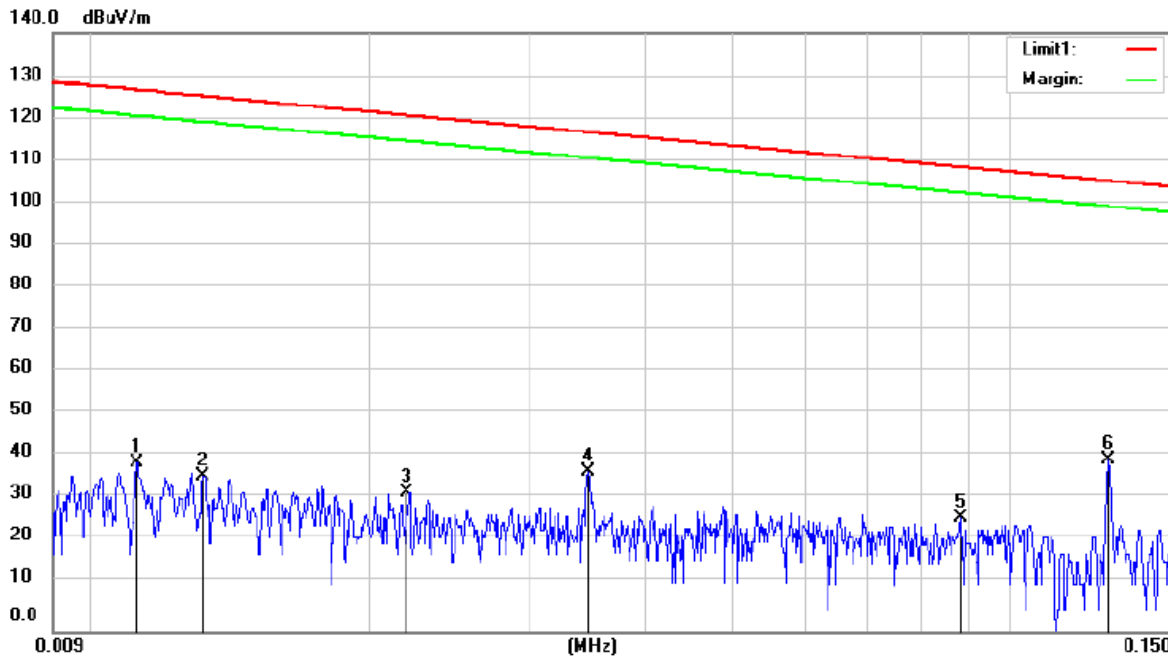
Power: AC 120V/60Hz

Humidity: 49 %

Mode:Charging for iPhone by WPT(Full load)

Note:

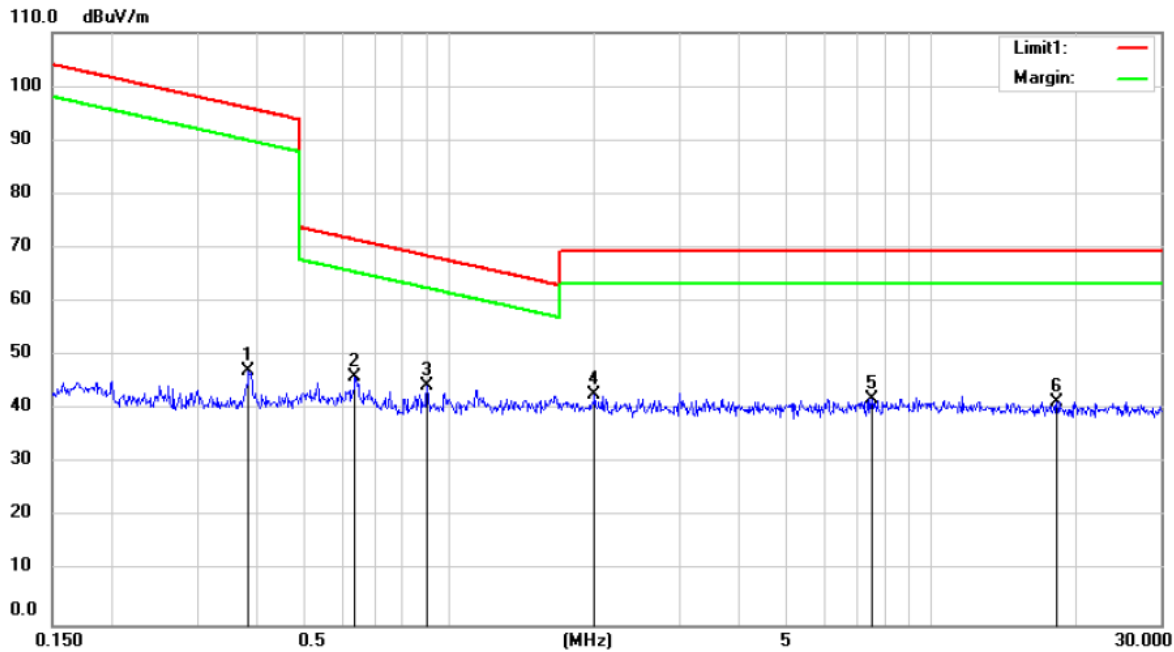
| No. | Mk. | Freq.  | Reading Level | Correct Factor | Measurement | Limit  | Over   | Antenna Height | Table Degree |         |
|-----|-----|--------|---------------|----------------|-------------|--------|--------|----------------|--------------|---------|
|     |     | MHz    | dBuV          | dB             | dBuV/m      | dBuV/m | dB     | cm             | degree       | Comment |
| 1   |     | 0.0112 | 17.11         | 20.58          | 37.69       | 126.60 | -88.91 |                |              | QP      |
| 2   |     | 0.0235 | 13.41         | 20.46          | 33.87       | 120.17 | -86.30 |                |              | QP      |
| 3   |     | 0.0347 | 18.42         | 20.64          | 39.06       | 116.78 | -77.72 |                |              | QP      |
| 4   |     | 0.0576 | 8.40          | 20.66          | 29.06       | 112.39 | -83.33 |                |              | QP      |
| 5   |     | 0.1000 | 6.81          | 20.60          | 27.41       | 107.60 | -80.19 |                |              | QP      |
| 6   | *   | 0.1285 | 32.67         | 20.60          | 53.27       | 105.42 | -52.15 |                |              | QP      |



Site 3m Chamber #3 Polarization: **Z** Temperature: 27 C  
 Limit: (RE)FCC PART 15 C Power: AC 120V/60Hz Humidity: 49 %  
 Mode:Charging for iPhone by WPT(Full load)  
 Note:

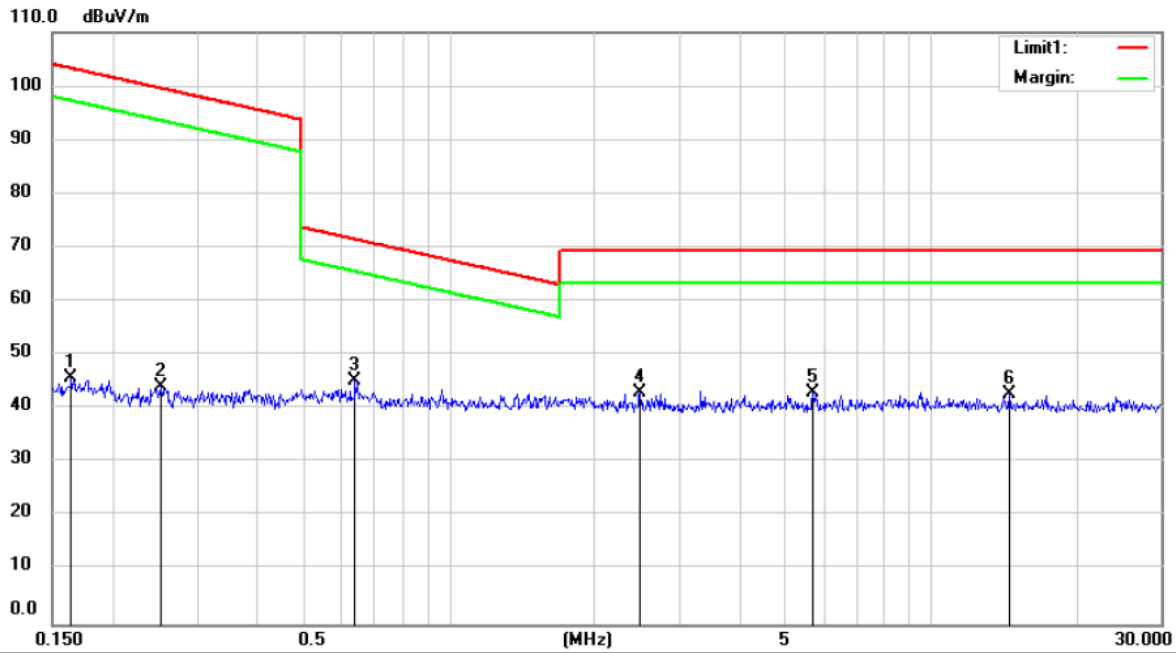
| No. | Mk. | Freq.  | Reading Level | Correct Factor | Measurement | Limit  | Over   | Antenna Height | Table Degree |         |
|-----|-----|--------|---------------|----------------|-------------|--------|--------|----------------|--------------|---------|
|     |     | MHz    | dBuV          | dB             | dBuV/m      | dBuV/m | dB     | cm             | degree       | Comment |
| 1   |     | 0.0111 | 18.69         | 20.58          | 39.27       | 126.68 | -87.41 | QP             |              |         |
| 2   |     | 0.0131 | 15.78         | 20.54          | 36.32       | 125.24 | -88.92 | QP             |              |         |
| 3   |     | 0.0220 | 12.09         | 20.43          | 32.52       | 120.74 | -88.22 | QP             |              |         |
| 4   |     | 0.0346 | 16.56         | 20.64          | 37.20       | 116.81 | -79.61 | QP             |              |         |
| 5   |     | 0.0883 | 6.11          | 20.37          | 26.48       | 108.68 | -82.20 | QP             |              |         |
| 6   | *   | 0.1284 | 19.49         | 20.60          | 40.09       | 105.43 | -65.34 | QP             |              |         |

150KHz-30MHz:



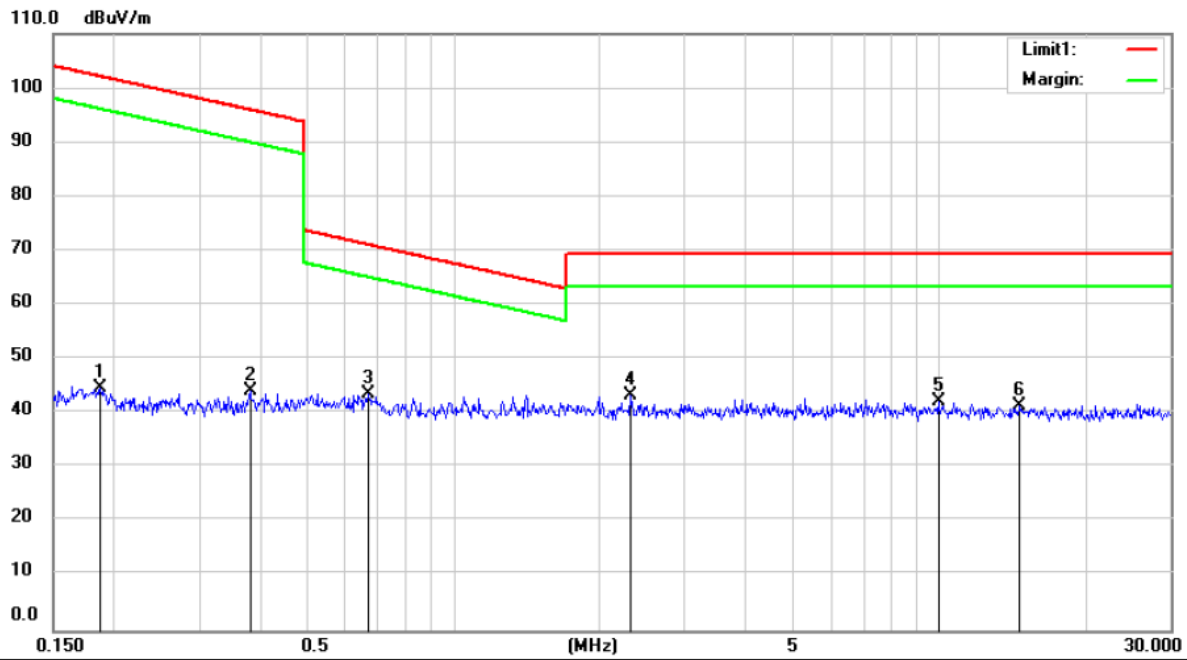
Site: 3m Chamber #3      Polarization: X      Temperature: 27 C  
 Limit: (RE)FCC PART 15 C      Power: AC 120V/60Hz      Humidity: 49 %  
 Mode:Charging for iPhone by WPT(Full load)  
 Note:

| No. | Mk. | Freq.   | Reading Level | Correct Factor | Measurement | Limit  | Over   | Antenna Height | Table Degree |         |
|-----|-----|---------|---------------|----------------|-------------|--------|--------|----------------|--------------|---------|
|     |     | MHz     | dBuV          | dB             | dBuV/m      | dBuV/m | dB     | cm             | degree       | Comment |
| 1   |     | 0.3832  | 26.36         | 20.80          | 47.16       | 95.93  | -48.77 | QP             |              |         |
| 2   |     | 0.6372  | 25.38         | 20.75          | 46.13       | 71.52  | -25.39 | QP             |              |         |
| 3   | *   | 0.8992  | 23.74         | 20.70          | 44.44       | 68.54  | -24.10 | QP             |              |         |
| 4   |     | 2.0011  | 22.26         | 20.40          | 42.66       | 69.50  | -26.84 | QP             |              |         |
| 5   |     | 7.5258  | 21.87         | 20.15          | 42.02       | 69.50  | -27.48 | QP             |              |         |
| 6   |     | 18.2316 | 22.28         | 19.24          | 41.52       | 69.50  | -27.98 | QP             |              |         |



Site 3m Chamber #3      Polarization: **Y**      Temperature: 27 C  
 Limit: (RE)FCC PART 15 C      Power: AC 120V/60Hz      Humidity: 49 %  
 Mode:Charging for iPhone by WPT(Full load)  
 Note:

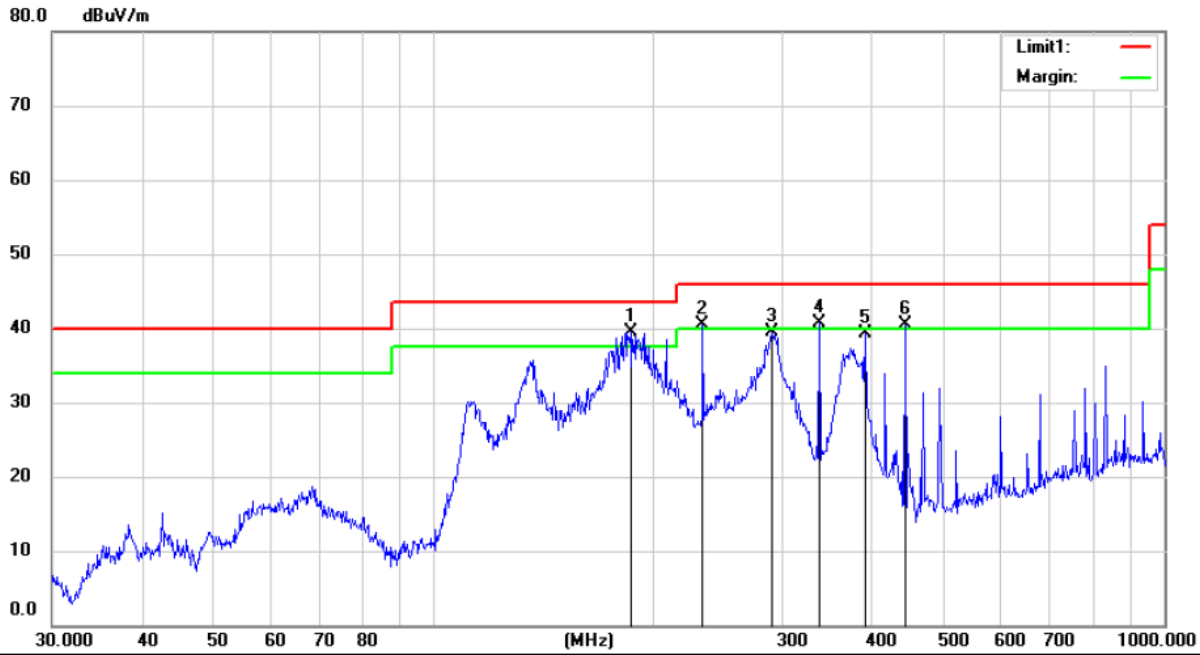
| No. | Mk. | Freq.   | Reading Level | Correct Factor | Measurement | Limit  | Over   | Antenna Height | Table Degree |         |
|-----|-----|---------|---------------|----------------|-------------|--------|--------|----------------|--------------|---------|
|     |     | MHz     | dBuV          | dB             | dBuV/m      | dBuV/m | dB     | cm             | degree       | Comment |
| 1   |     | 0.1641  | 25.06         | 20.63          | 45.69       | 103.30 | -57.61 | QP             |              |         |
| 2   |     | 0.2521  | 23.40         | 20.80          | 44.20       | 99.57  | -55.37 | QP             |              |         |
| 3   | *   | 0.6372  | 24.42         | 20.75          | 45.17       | 71.52  | -26.35 | QP             |              |         |
| 4   |     | 2.4868  | 22.66         | 20.25          | 42.91       | 69.50  | -26.59 | QP             |              |         |
| 5   |     | 5.6833  | 22.89         | 20.19          | 43.08       | 69.50  | -26.42 | QP             |              |         |
| 6   |     | 14.5171 | 23.11         | 19.56          | 42.67       | 69.50  | -26.83 | QP             |              |         |



Site 3m Chamber #3 Polarization: **Z** Temperature: 27 C  
 Limit: (RE)FCC PART 15 C Power: AC 120V/60Hz Humidity: 49 %  
 Mode:Charging for iPhone by WPT(Full load)  
 Note:

| No. | Mk. | Freq.   | Reading Level | Correct Factor | Measurement | Limit  | Over   | Antenna Height | Table Degree |         |
|-----|-----|---------|---------------|----------------|-------------|--------|--------|----------------|--------------|---------|
|     |     | MHz     | dBuV          | dB             | dBuV/m      | dBuV/m | dB     | cm             | degree       | Comment |
| 1   |     | 0.1874  | 23.89         | 20.67          | 44.56       | 102.14 | -57.58 |                |              | QP      |
| 2   |     | 0.3811  | 23.30         | 20.80          | 44.10       | 95.98  | -51.88 |                |              | QP      |
| 3   |     | 0.6683  | 22.95         | 20.73          | 43.68       | 71.11  | -27.43 |                |              | QP      |
| 4   | *   | 2.3090  | 22.87         | 20.31          | 43.18       | 69.50  | -26.32 |                |              | QP      |
| 5   |     | 9.9657  | 22.09         | 20.10          | 42.19       | 69.50  | -27.31 |                |              | QP      |
| 6   |     | 14.6718 | 21.95         | 19.54          | 41.49       | 69.50  | -28.01 |                |              | QP      |

## 30MHz-1GHz:



Site 3m Chamber #3

Polarization: *Horizontal*

Temperature: 25.1 C

Limit: (RE)FCC PART 15 C

Power: AC 120V/60Hz

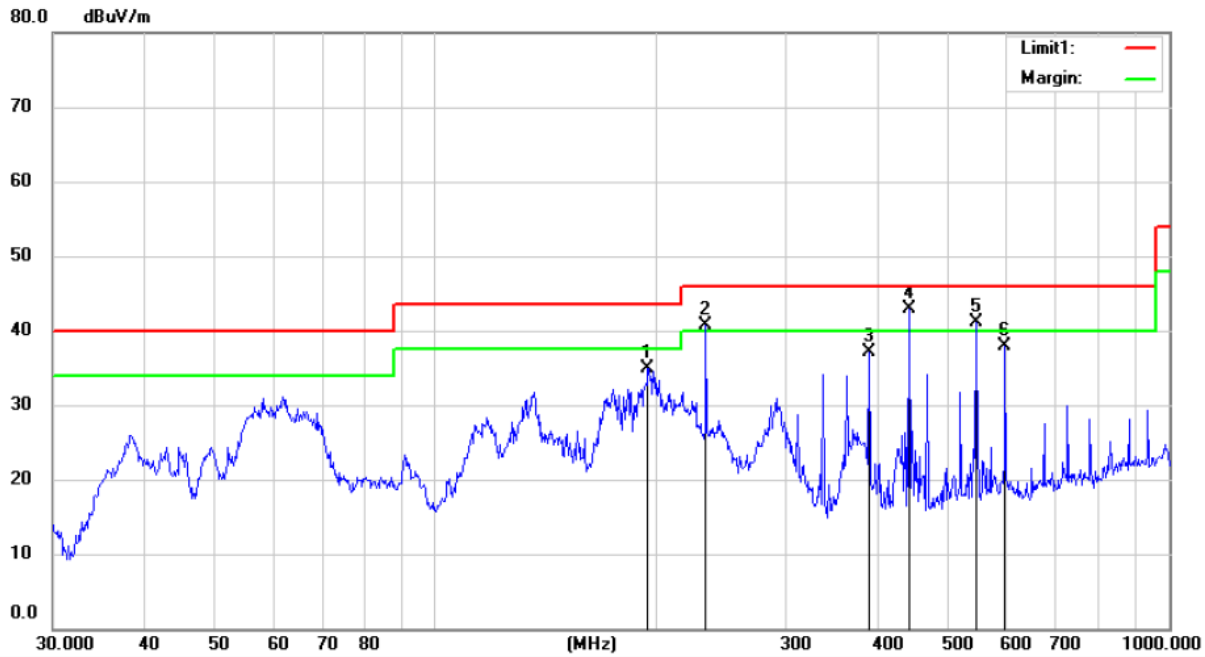
Humidity: 38 %

Mode:Charging for iPhone by WPT(Full load)

Note:

| No. | Mk. | Freq.    | Reading Level | Correct Factor | Measurement | Limit  | Over  | Antenna Height | Table Degree |         |
|-----|-----|----------|---------------|----------------|-------------|--------|-------|----------------|--------------|---------|
|     |     | MHz      | dBuV          | dB             | dBuV/m      | dBuV/m | dB    | cm             | degree       | Comment |
| 1   | *   | 186.1795 | 71.00         | -31.59         | 39.41       | 43.50  | -4.09 | QP             |              |         |
| 2   | !   | 234.0041 | 70.11         | -29.69         | 40.42       | 46.00  | -5.58 | QP             |              |         |
| 3   |     | 290.3224 | 67.49         | -27.97         | 39.52       | 46.00  | -6.48 | QP             |              |         |
| 4   | !   | 338.0442 | 68.21         | -27.45         | 40.76       | 46.00  | -5.24 | QP             |              |         |
| 5   |     | 390.0381 | 64.59         | -25.30         | 39.29       | 46.00  | -6.71 | QP             |              |         |
| 6   | !   | 442.0524 | 65.11         | -24.61         | 40.50       | 46.00  | -5.50 | QP             |              |         |





Site 3m Chamber #3 Polarization: *Vertical* Temperature: 25.1 C  
 Limit: (RE)FCC PART 15 C Power: AC 120V/60Hz Humidity: 38 %  
 Mode:Charging for iPhone by WPT(Full load)  
 Note:

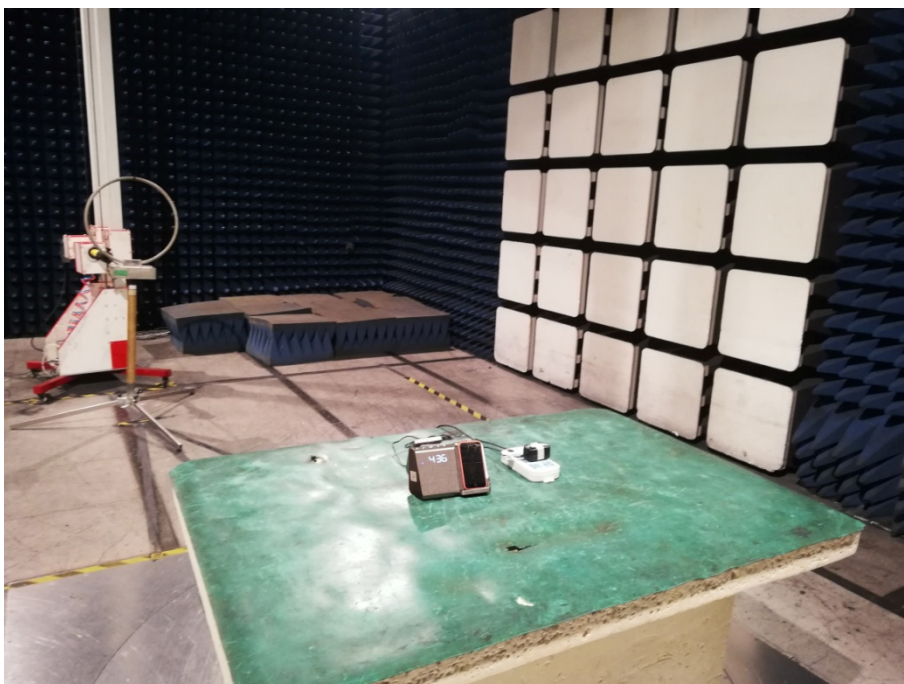
| No. | Mk. | Freq.    | Reading Level | Correct Factor | Measurement | Limit  | Over  | Antenna Height | Table Degree |         |
|-----|-----|----------|---------------|----------------|-------------|--------|-------|----------------|--------------|---------|
|     |     | MHz      | dBuV          | dB             | dBuV/m      | dBuV/m | dB    | cm             | degree       | Comment |
| 1   |     | 194.5215 | 65.64         | -30.71         | 34.93       | 43.50  | -8.57 | QP             |              |         |
| 2   | !   | 234.0040 | 70.49         | -29.69         | 40.80       | 46.00  | -5.20 | QP             |              |         |
| 3   |     | 390.0380 | 62.49         | -25.30         | 37.19       | 46.00  | -8.81 | QP             |              |         |
| 4   | *   | 442.0523 | 67.56         | -24.61         | 42.95       | 46.00  | -3.05 | QP             |              |         |
| 5   | !   | 546.1391 | 63.02         | -21.99         | 41.03       | 46.00  | -4.97 | QP             |              |         |
| 6   |     | 598.0615 | 59.24         | -21.32         | 37.92       | 46.00  | -8.08 | QP             |              |         |

## 7. PHOTOGRAPHS

### 7.1.Photos of Power Line Conducted Emission Measurement



### 7.2.Photos of Radiation Emission Measurement





-----The end-----