

# FCC CERTIFICATION TEST REPORT

## FOR

<b>Applicant</b>	:	SDI Technologies Inc.
<b>Address</b>	:	1299 Main Street, Rahway, NJ 07065, U.S.A
<b>Equipment under Test</b>	:	Bluetooth Speaker + Clock + Qi Charger
<b>Model No.</b>	:	iBTW38, iBTW38B, iBTW38B8, iBTW38X(X could be single or multiple digits by any alphabets denote different cabinet color)
<b>Trade Mark</b>	:	iHome
<b>FCC ID</b>	:	EMOIBTW38A
<b>Manufacturer</b>	:	SDI Technologies Inc.
<b>Address</b>	:	1299 Main Street, Rahway, NJ 07065, U.S.A

**Issued By: Dongguan Dongdian Testing Service Co., Ltd.**

**Add.:** No. 17, Zongbu Road 2, Songshan Lake Sci&Tech, Industry Park,  
Dongguan City, Guangdong Province, China, 523808

**Tel.:** +86-0769-38826678, **E-mail:** ddt@dgddt.com, <http://www.dgddt.com>

# REPORT

## Table of Contents

	Test report declares.....	3
1	Summary of Test Results.....	5
2	General Test Information .....	6
2.1.	Description of EUT .....	6
2.2.	Accessories of EUT.....	6
2.3.	Assistant equipment used for test.....	6
2.4.	Block diagram of EUT configuration for test.....	6
2.5.	Deviations of test standard.....	7
2.6.	Test environment conditions .....	7
2.7.	Test laboratory .....	7
2.8.	Measurement uncertainty.....	8
3	Equipment Used During Test.....	9
4	20 dB Bandwidth .....	11
4.1.	Block diagram of test setup.....	11
4.2.	Limits .....	11
4.3.	Test procedure .....	11
4.4.	Test result.....	11
4.5.	Original test data .....	12
5	Radiated Emission .....	13
5.1.	Block diagram of test setup.....	13
5.2.	Limit.....	14
5.3.	Test procedure .....	14
5.4.	Test result.....	15
6	Power Line Conducted Emission.....	20
6.1.	Block diagram of test setup.....	20
6.2.	Power line conducted emission limits .....	20
6.3.	Test procedure .....	20
6.4.	Test result.....	21
7	Antenna Requirements .....	24
8	Test Setup Photograph .....	25
9	Photos of the EUT .....	27

## Test Report Declare

<b>Applicant</b>	:	SDI Technologies Inc.
<b>Address</b>	:	1299 Main Street, Rahway, NJ 07065, U.S.A
<b>Equipment under Test</b>	:	Bluetooth Speaker + Clock + Qi Charger
<b>Model No.</b>	:	iBTW38, iBTW38B, iBTW38B8, iBTW38X(X could be single or multiple digits by any alphabets denote different cabinet color)
<b>Trade Mark</b>	:	iHome
<b>Manufacturer</b>	:	SDI Technologies Inc.
<b>Address</b>	:	1299 Main Street, Rahway, NJ 07065, U.S.A
<b>Factory</b>	:	DONGGUAN SYNST ELECTRONICS CO.,LTD
<b>Address</b>	:	THE SCIENCE & TECHNOLOGY INDUSTRIAL PARK, HOUIE TOWN, DONGGUAN, GUANGDONG, CHINA

### Test Standard Used:

FCC Rules and Regulations Part 15 Subpart C

### Test procedure used:

ANSI C63.10:2013

### We Declare:

The equipment described above is tested by Dongguan Dongdian Testing Service Co., Ltd and in the configuration tested the equipment complied with the standards specified above. The test results are contained in this test report and Dongguan Dongdian Testing Service Co., Ltd is assumed of full responsibility for the accuracy and completeness of these tests.

**After test and evaluation, our opinion is that the equipment provided for test compliance with the requirement of the above FCC standards.**

<b>Report No:</b>	DDT-R21062902-2E03		
<b>Date of Receipt:</b>	Jul. 01, 2021	<b>Date of Test:</b>	Jul. 01, 2021~ Aug. 09, 2021

**Prepared By:**

*Johnny Wang*

**Johnny Wang/Engineer**

**Approved By:**



**Damon Hu/EMC Manager**

Note: This report applies to above tested sample only. This report shall not be reproduced in parts without written approval of Dongguan Dongdian Testing Service Co., Ltd.

### Revision History

Rev.	Revisions	Issue Date	Revised By
---	Initial issue	Aug. 10, 2021	

## 1 Summary of Test Results

Description of Test Item	Standard	Results
20 dB Bandwidth	FCC Part 15: 15.215	Pass
Radiated Emission	FCC Part 15: 15.209	Pass
Power Line Conducted Emissions	FCC Part 15: 15.207	Pass
Antenna Requirement	FCC Part 15: 15.203	Pass

## 2 General Test Information

### 2.1. Description of EUT

EUT* Name	: Bluetooth Speaker + Clock + Qi Charger
Model Number	: iBTW38, iBTW38B, iBTW38B8, iBTW38X(X could be single or multiple digits by any alphabets denote different cabinet color)
Difference of model number	: All models are identical except the color. (X could be single or multiple digits by any alphabets denote different cabinet color) Therefore, the test performed on the model iBTW38
EUT function description	: Please reference user manual of this device
Power supply	: DC 12V by external AC-DC Adapter: BQ30A-1202500-U DC 3.0V by CR2450 battery for clock backup
Wireless charging Operation frequency	: 110 kHz - 205 kHz
Antenna Type	: Inductive loop coil antenna
Serial Number	: N/A

Note: EUT is the abbreviation of equipment under test.

In section 15.31(m), regards to the operating frequency range less than 1 MHz, only one of channel was selected to perform the test.

Channel	Frequency (kHz)
Testing channel	128

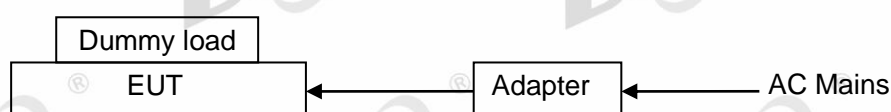
### 2.2. Accessories of EUT

Description of Accessories	Manufacturer	Model number	Serial No.	Other
AC-DC Adapter	SDI	BQ30A-0903000-U	N/A	Input: AC100-240V 50/60Hz Output: DC 12V/2.5A Length: 1.86m, Unshielded

### 2.3. Assistant equipment used for test

Assistant equipment	Manufacturer	Model number or Type	Description	Other
Dummy load	N/A	N/A	N/A	N/A

### 2.4. Block diagram of EUT configuration for test



## 2.5. Deviations of test standard

No deviation.

## 2.6. Test environment conditions

During the measurement the environmental conditions were within the listed ranges:

Temperature range:	21-25 °C
Humidity range:	40-75%
Pressure range:	86-106 kPa

## 2.7. Test laboratory

Dongguan Dongdian Testing Service Co., Ltd.

Addr.: No. 17, Zongbu Road 2, Songshan Lake Sci&Tech, Industry Park, Dongguan City, Guangdong Province, China, 523808.

Tel.: +86-0769-38826678, <http://www.dgddt.com>, Email: [ddt@dgddt.com](mailto:ddt@dgddt.com).

CNAS Accreditation No. L6451; A2LA Accreditation Number: 3870.01

FCC Designation Number: CN1182, Test Firm Registration Number: 540522

Innovation, Science and Economic Development Canada Site Registration Number: 10288A

Conformity Assessment Body identifier: CN0048

VCCI facility registration number: C-20087, T-20088, R-20123, G-20118

**2.8. Measurement uncertainty**

Test Item	Uncertainty
Uncertainty for Conduction emission test	3.32 dB (150 kHz - 30 MHz)
	3.72 dB (9 kHz - 150 kHz)
Uncertainty for Radiation Emission test (30 MHz - 1 GHz)	4.70 dB (Antenna Polarize: V)
	4.84 dB (Antenna Polarize: H)
Uncertainty for Radiation Emission test (1 GHz to 18 GHz)	4.10 dB (1-6 GHz)
	4.40 dB (6 GHz - 18 GHz)
Bandwidth	1.1%

Note: This uncertainty represents an expanded uncertainty expressed at approximately the 95% confidence level using a coverage factor of  $k=2$ .



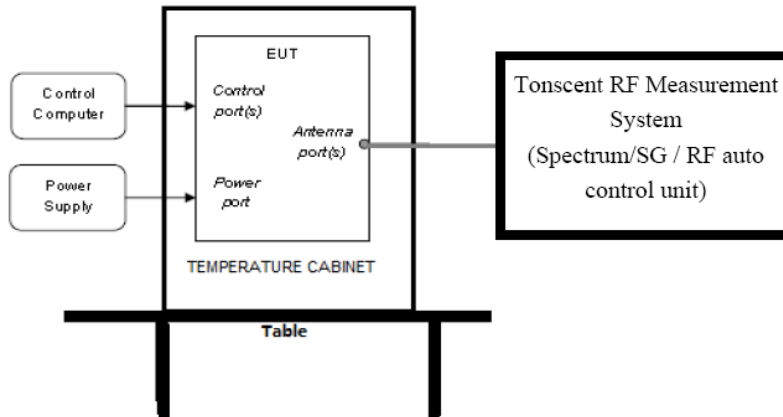
### 3 Equipment Used During Test

Equipment	Manufacturer	Model No.	Serial No.	Last Cal.	Cal. Interval
<input type="checkbox"/> RF Connected Test (Tonscend RF Measurement System 1#)					
Spectrum analyzer	R&S	FSU26	200071	Sep. 25, 2020	1 Year
Wideband Radio Communication tester	R&S	CMW500	117491	Jun. 01, 2021	1 Year
Vector Signal Generator	Agilent	E8267D	US49060192	Sep. 24, 2020	1 Year
Vector Signal Generator	Agilent	N5182A	MY48180737	Jun. 01, 2021	1 Year
RF Control Unit	Tonsend	JS0806-2	DDT-ZC0290	Jun. 01, 2021	1 Year
Temp&Humi Programmable	ZHIXIANG	ZXGDJS-150L	ZX170110-A	Jun. 01, 2021	1 Year
Test Software	JS Tonscend	JS1120-3	Ver.2.7	N/A	N/A
<input checked="" type="checkbox"/> RF Connected Test (Tonscend RF Measurement System 2#)					
Spectrum analyzer	R&S	FSU26	101472	Jun. 01, 2021	1 Year
Wideband Radio Communication tester	R&S	CMW500	120259	Jan. 19, 2021	1 Year
Spectrum analyzer	Agilent	N9020D	MY49100362	Sep. 28, 2020	1 Year
Vector Signal Generator	Agilent	N5182A	MY19060405	Jun. 01, 2021	1 Year
Vector Signal Generator	Agilent	N5182A	MY48180912	Jun. 01, 2021	1 Year
RF Control Unit	Tonsend	JS0806-2	DDT-ZC01449	Jun. 01, 2021	1 Year
Temp&Humi Programmable	ZHIXIANG	ZXGDJS-150L	ZX170110-A	Jun. 01, 2021	1 Year
Test Software	JS Tonscend	JS1120-3	Ver.2.7	N/A	N/A
<input type="checkbox"/> Radiation 1#chamber					
EMI Test Receiver	R&S	ESU8	100316	Sep. 24, 2020	1 Year
Spectrum analyzer	Agilent	E4447A	MY50180031	Jun. 01, 2021	1 Year
Trilog Broadband Antenna	Schwarzbeck	VULB9163	9163-462	Nov. 13, 2020	1 Year
Active Loop antenna	Schwarzbeck	FMZB-1519	1519-038	Nov. 18, 2020	1 Year
Double Ridged Horn Antenna	R&S	HF907	100276	Nov. 13, 2020	1 Year
Broad Band Horn Antenna	Schwarzbeck	BBHA 9170	790	May 07, 2021	1 Year
Pre-amplifier	A.H.	PAM-0118	360	Sep. 28, 2020	1 Year
RF Cable	HUBSER	CP-X2+ CP-X1	W11.03+ W12.02	Sep. 24, 2020	1 Year
RF Cable	N/A	5m+6m+1m	06270619	Sep. 30, 2020	1 Year
MI Cable	HUBSER	C10-01-01-1M	1091629	Sep. 30, 2020	1 Year
Test software	Audix	E3	V 6.11111b	N/A	N/A
<input checked="" type="checkbox"/> Radiation 2#chamber					

EMI Test Receiver	R&S	ESCI	101364	Sep. 28, 2020	1 Year
Spectrum analyzer	Agilent	E4447A	MY50180031	Jun. 01, 2021	1 Year
Trilog Broadband Antenna	Schwarzbeck	VULB 9163	9163-994	Nov. 13, 2020	1 Year
Active Loop antenna	Schwarzbeck	FMZB-1519	1519-038	Nov. 18, 2020	1 Year
Double Ridged Horn Antenna	Schwarzbeck	BBHA9120	02108	Jul. 17, 2021	1 Year
Broad Band Horn Antenna	Schwarzbeck	BBHA 9170	790	May 07, 2021	1 Year
Pre-amplifier	TERA-MW	TRLA-0040 G35	1013 03	Sep. 28, 2020	1 Year
RF Cable	N/A	14+1.5m	06270619	Sep. 28, 2020	1 Year
Test software	Audix	E3	V 6.11111b	N/A	N/A
<b><input checked="" type="checkbox"/> Power Line Conducted Emissions Test 1#</b>					
EMI Test Receiver	R&S	ESU8	100316	Sep. 24, 2020	1 Year
LISN 1	R&S	ENV216	101109	Sep. 28, 2020	1 Year
LISN 2	R&S	ESH2-Z5	100309	Sep. 28, 2020	1 Year
Pulse Limiter	R&S	ESH3-Z2	101242	Sep. 24, 2020	1 Year
CE Cable 1	HUBSER	N/A	W10.01	Sep. 24, 2020	1 Year
Test software	Audix	E3	V 6.11111b	N/A	N/A
<b><input type="checkbox"/> Power Line Conducted Emissions Test 2#</b>					
Test Receiver	R&S	ESPI	101761	Sep. 24, 2020	1 Year
LISN 1	R&S	ENV216	101170	Sep. 28, 2020	1 Year
LISN 2	R&S	ESH2-Z5	100309	Sep. 28, 2020	1 Year
Pulse Limiter	R&S	KH43101	43101180156 8-12#	Jun. 01, 2021	1 Year
CE Cable 2	HUBSER	N/A	W11.02	Sep. 24, 2020	1 Year
Test software	Audix	E3	V 6.11111b	N/A	N/A

## 4 20 dB Bandwidth

### 4.1. Block diagram of test setup



### 4.2. Limits

Intentional radiators operating under the alternative provisions to the general emission limits, as contained in § 15.217 through 15.257 and in Subpart E of this part, must be designed to ensure that the 20 dB bandwidth of the emission, or whatever bandwidth may otherwise be specified in the specific rule section under which the equipment operates, is contained within the frequency band designated in the rule section under which the equipment is operated.

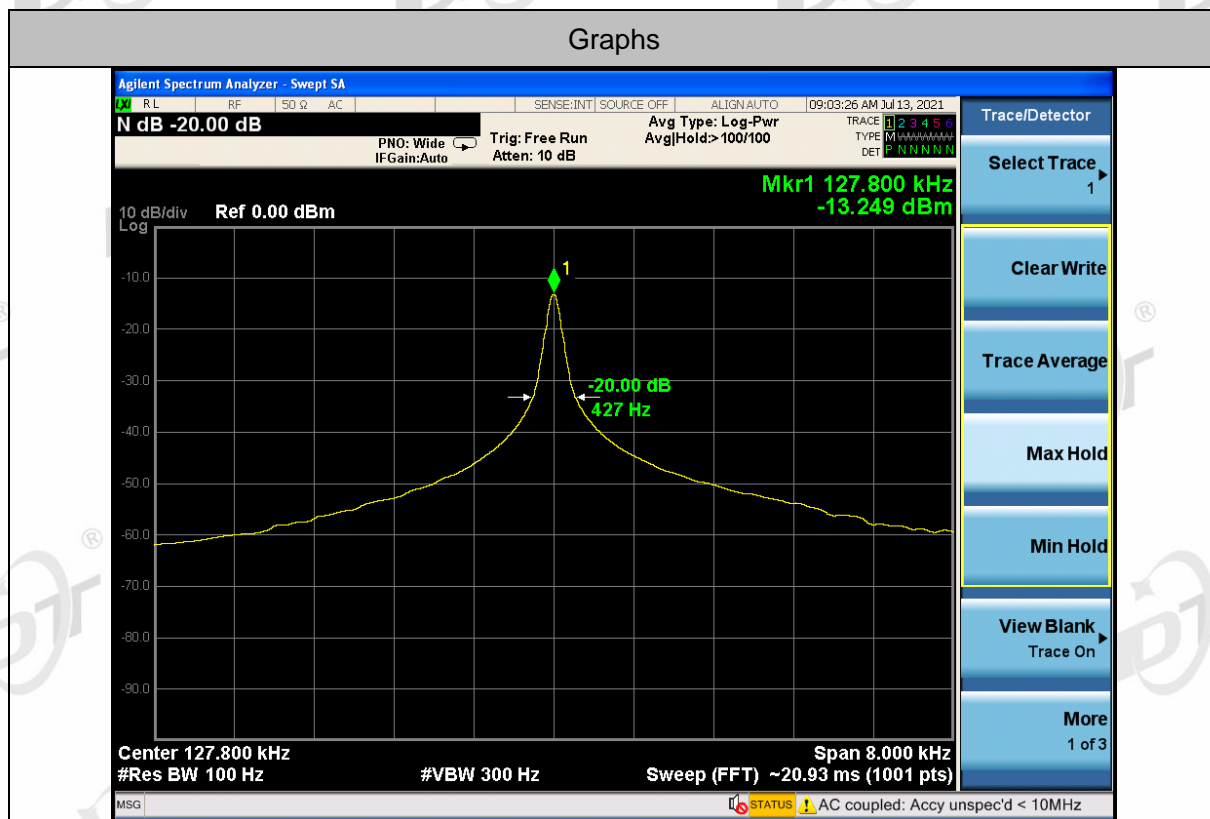
### 4.3. Test procedure

- (1) Connect EUT's antenna output to spectrum analyzer by RF cable.
- (2) The bandwidth of the fundamental frequency was measured by spectrum analyzer with 100 Hz RBW and 300 Hz VBW. The 20 dB bandwidth is defined as the total spectrum the power of which is higher than peak power minus 20 dB.

### 4.4. Test result

Freq. (kHz)	20 dB bandwidth Result (kHz)	Conclusion
128	0.427	Pass

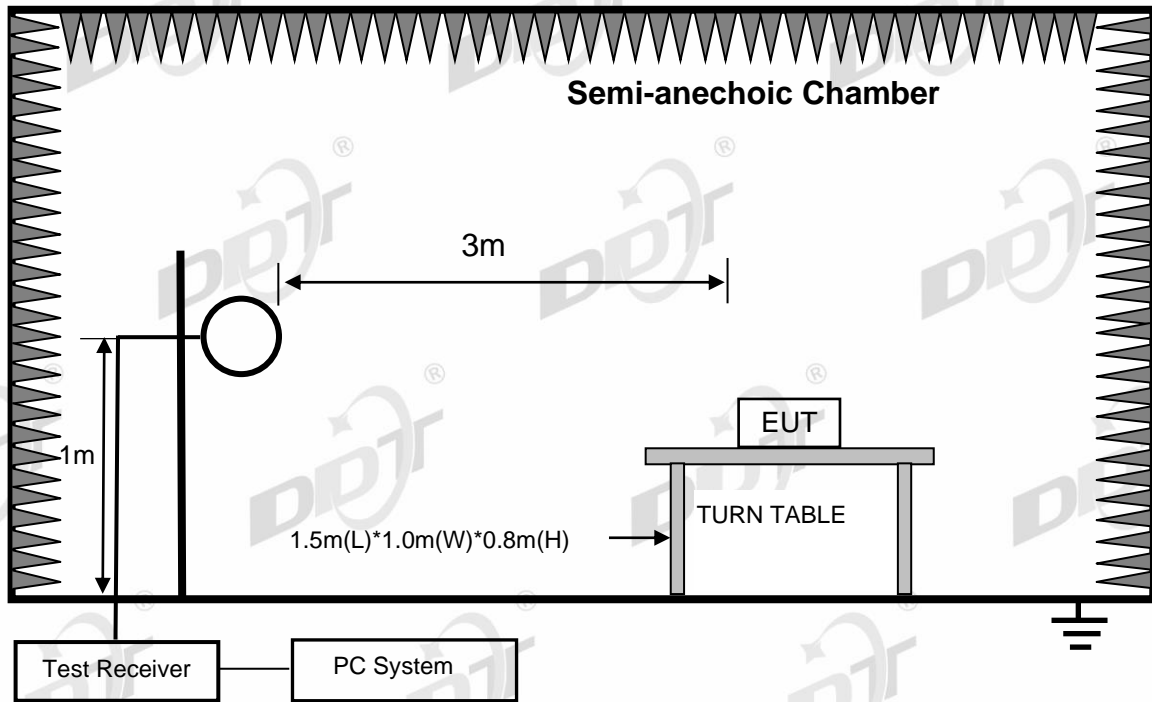
### 4.5. Original test data



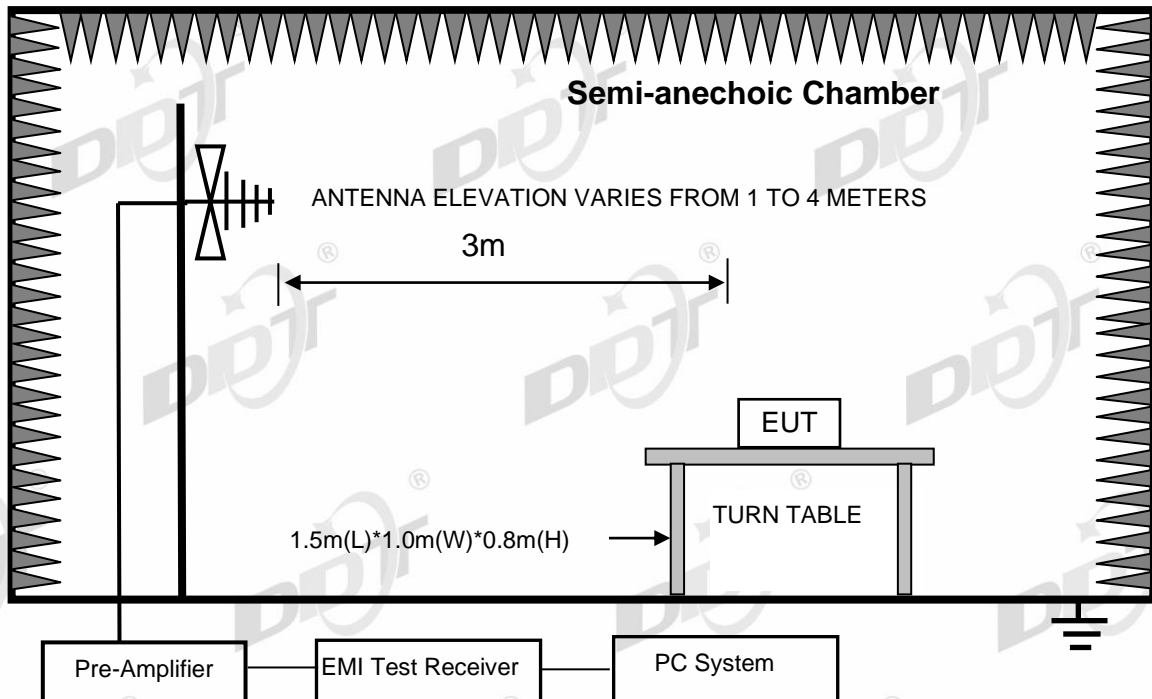
## 5 Radiated Emission

### 5.1. Block diagram of test setup

In 3 m Anechoic Chamber, test setup diagram for 9 kHz - 30 MHz:



In 3 m Anechoic Chamber, test setup diagram for 30 MHz - 1 GHz:



## 5.2. Limit

FREQUENCY MHz	DISTANCE Meters	FIELD STRENGTHS LIMIT	
		$\mu\text{V/m}$	$\text{dB}(\mu\text{V})/\text{m}$
0.009 ~ 0.490	300	$2400/F(\text{kHz})$	$67.6-20\log(F)$
0.490 ~ 1.705	30	$24000/F(\text{kHz})$	$87.6-20\log(F)$
1.705 ~ 30.0	30	30	29.54
30 ~ 88	3	100	40.0
88 ~ 216	3	150	43.5
216 ~ 960	3	200	46.0
960 ~ 1000	3	500	54.0

Note: (1) The emission limits shown in the above table are based on measurements employing a CISPR QP detector except for the frequency bands 9-90 kHz, 110-490 kHz and above 1000 MHz. Radiated emissions limits in these three bands are based on measurements employing an average detector.

(2) At frequencies below 30 MHz, measurement may be performed at a distance closer than that specified, and the limit at closer measurement distance can be extrapolated by below formula:

$$\text{Limit}_{3\text{m}}(\text{dBuV/m}) = \text{Limit}_{300\text{m}}(\text{dBuV/m}) + 40\text{Log}(300\text{m}/3\text{m}) = \text{Limit}_{300\text{m}}(\text{dBuV/m}) + 80$$

$$\text{Limit}_{3\text{m}}(\text{dBuV/m}) = \text{Limit}_{30\text{m}}(\text{dBuV/m}) + 40\text{Log}(30\text{m}/3\text{m}) = \text{Limit}_{30\text{m}}(\text{dBuV/m}) + 40$$

## 5.3. Test procedure

(1) EUT was placed on a non-metallic table, 150 cm above the ground plane inside a semi-anechoic chamber.

(2) Test antenna was located 3m from the EUT on an adjustable mast, and the antenna used as below table.

Test frequency range	Test antenna used	Test antenna distance
9 kHz - 30 MHz	Active Loop antenna	3 m
30 MHz - 1 GHz	Trilog Broadband Antenna	3 m

According ANSI C63.10:2013 clause 6.4.4.2 and 6.5.3, for measurements below 30 MHz, the loop antenna was positioned with its plane vertical from the EUT and rotated about its vertical axis for maximum response at each azimuth position around the EUT. And the loop antenna also is positioned with its plane horizontal at the specified distance from the EUT. The center of the loop is 1 m above the ground. For measurement above 30 MHz, the Trilog Broadband Antenna or Horn Antenna was located 3 m from EUT, Measurements were made with the antenna positioned in both the horizontal and vertical planes of Polarization, and the measurement antenna was varied from 1 m to 4 m. in height above the reference ground plane to obtain the maximum signal strength.

(3) Below pre-scan procedure was first performed in order to find prominent frequency spectrum radiated emissions from 9 kHz to 1 GHz:

(a) Scanning the peak frequency spectrum with the antenna specified in step (3), and the EUT was rotated 360 degree, the antenna height was varied from 1 m to 4 m (Except loop antenna, it's

fixed 1 m above ground.)

(b) Change work frequency or channel of device if practicable.

(c) Change modulation type of device if practicable.

(d) Rotated EUT though three orthogonal axes to determine the attitude of EUT arrangement produce highest emissions. Spectrum frequency from 9 kHz to 1 GHz (tenth harmonic of fundamental frequency) was investigated.

(4) For final emissions measurements at each frequency of interest, the EUT was rotated and the antenna height was varied between 1 m and 4 m in order to maximize the emission.

Measurements in both horizontal and vertical polarities were made and the data was recorded. In order to find the maximum emission, the relative positions of equipments and all of the interface cables were changed according to ANSI C63.10:2013 on Radiated Emission test.

(5) The emissions from 9 kHz to 1 GHz were measured based on CISPR QP detector except for the frequency bands 9-90 kHz, 110-490 kHz, for emissions from 9 kHz - 90 kHz, 110 kHz - 490 kHz and above 1 GHz were measured based on average detector, for emissions above 1 GHz, peak emissions also be measured and need comply with Peak limit.

(6) The emissions from 9 kHz to 1 GHz, QP or average values were measured with EMI receiver with below RBW.

Frequency band	RBW
9 kHz - 150 kHz	200 Hz
150 kHz - 30 MHz	9 kHz
30 MHz - 1 GHz	120 kHz

#### 5.4. Test result

**Pass. (See below detailed test result)**

Below 30 MHz:

## TR-4-E-009 Radiated Emission Test Result

Test Site : DDT 3m Chamber 2#

D:\2021 RE2# Report Data\Q21062902-4E IBTW38\FCC 9K-30M 12V .EM6

Test Date : 2021-07-27

Tested By : Zora

EUT : Bluetooth Speaker + Clock + Qi Charger

Model Number : iBTW38

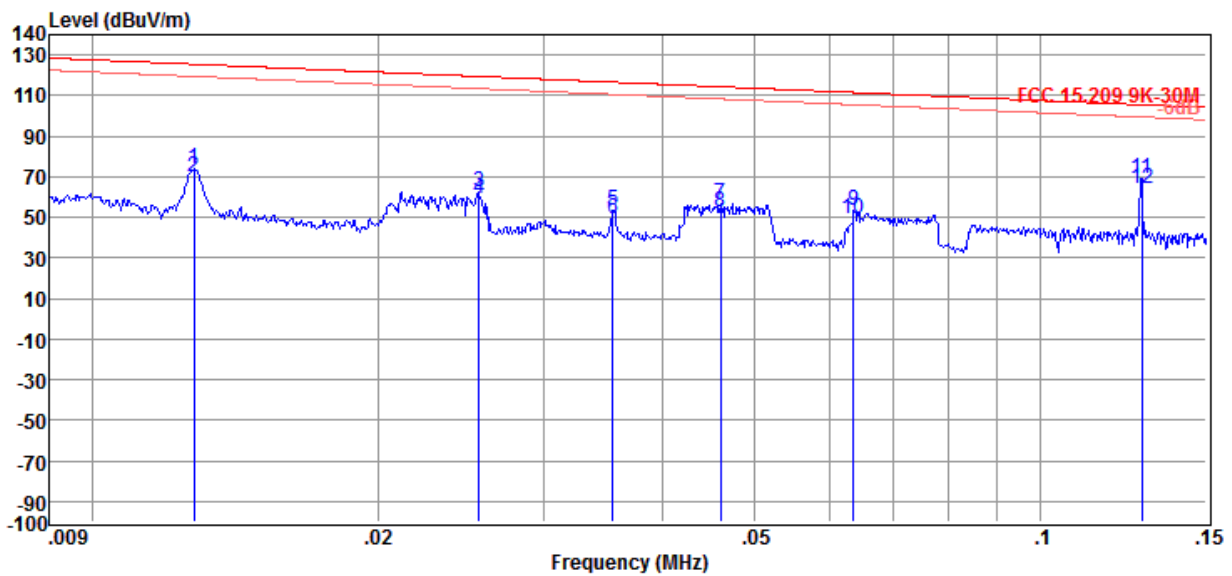
Power Supply : AC 120V/60Hz

Test Mode : TX mode

Condition : Temp:24.5°C,Humi:55%,Press:101.4kPa

Antenna/Distance : 2019 FMZB1519/3m/VERTICAL

Memo :



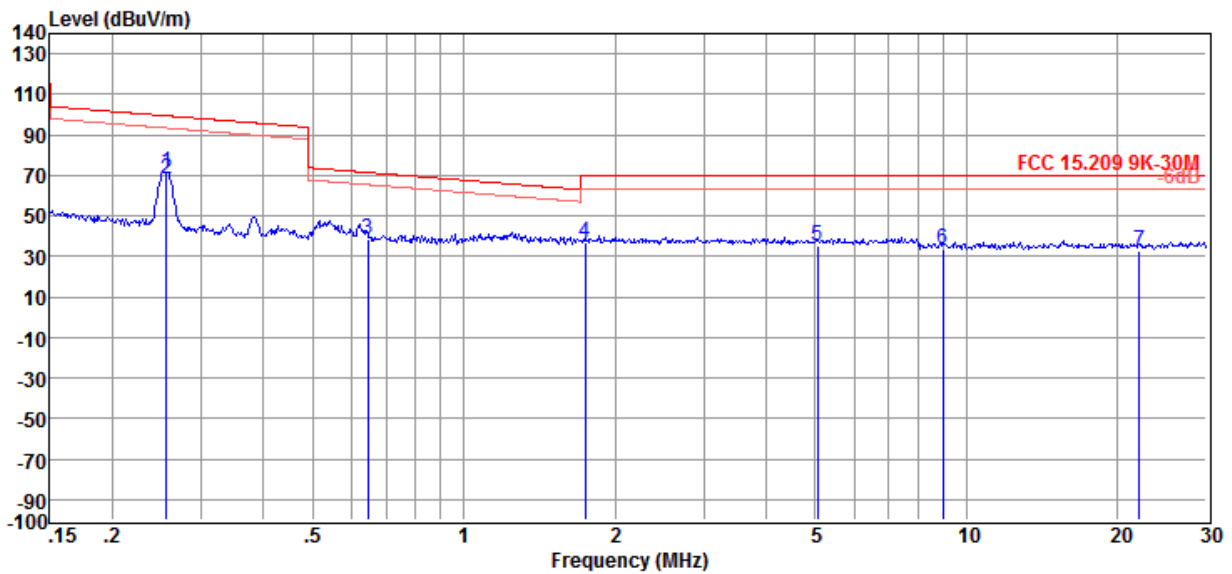
Item (Mark)	Freq. (MHz)	Read Level (dBμV)	Antenna Factor (dB/m)	Cable Loss (dB)	Result Level (dBμV/m)	Limit Line (dBμV/m)	Over Limit (dB)	Detector	Polarization
1	0.01	49.71	21.16	2.80	73.67	145.45	-71.78	Peak	VERTICAL
2	0.01	46.01	21.16	2.80	69.97	125.45	-55.48	Average	VERTICAL
3	0.03	38.23	21.07	2.87	62.17	139.44	-77.27	Peak	VERTICAL
4	0.03	35.21	21.07	2.87	59.15	119.44	-60.29	Average	VERTICAL
5	0.04	29.45	21.04	2.90	53.39	136.61	-83.22	Peak	VERTICAL
6	0.04	25.63	21.04	2.90	49.57	116.61	-67.04	Average	VERTICAL
7	0.05	32.84	21.01	2.93	56.78	134.33	-77.55	Peak	VERTICAL
8	0.05	28.69	21.01	2.93	52.63	114.33	-61.70	Average	VERTICAL
9	0.06	29.75	21.00	2.96	53.71	131.53	-77.82	Peak	VERTICAL
10	0.06	25.32	21.00	2.96	49.28	111.53	-62.25	Average	VERTICAL
11	0.13	44.74	20.96	3.02	68.72	125.44	-56.72	Peak	VERTICAL
12	0.13	40.26	20.96	3.02	64.24	105.44	-41.20	Average	VERTICAL

- Note: 1. Result Level = Read Level + Antenna Factor + Cable loss - AMP Factor.  
 2. If Peak Result complies with QP limit, QP Result is deemed to comply with QP limit.  
 3. Test setup: 9k-150kHz, RBW: 200Hz; 150k-30Mhz, RBW: 9kHz, Sweep time: auto.



# TR-4-E-009 Radiated Emission Test Result

**Test Site** : DDT 3m Chamber 2#  
**Test Date** : 2021-07-27  
**EUT** : Bluetooth Speaker + Clock + Qi Charger  
**Power Supply** : AC 120V/60Hz  
**Condition** : Temp:24.5°C,Humi:55%,Press:101.4kPa  
**Memo** :  
**D:\2021 RE2# Report Data\Q21062902-4E IBTW38\FCC 9K-30M 12V .EM6**  
**Tested By** : Zora  
**Model Number** : iBTW38  
**Test Mode** : TX mode  
**Antenna/Distance** : 2019 FMZB1519/3m/VERTICAL



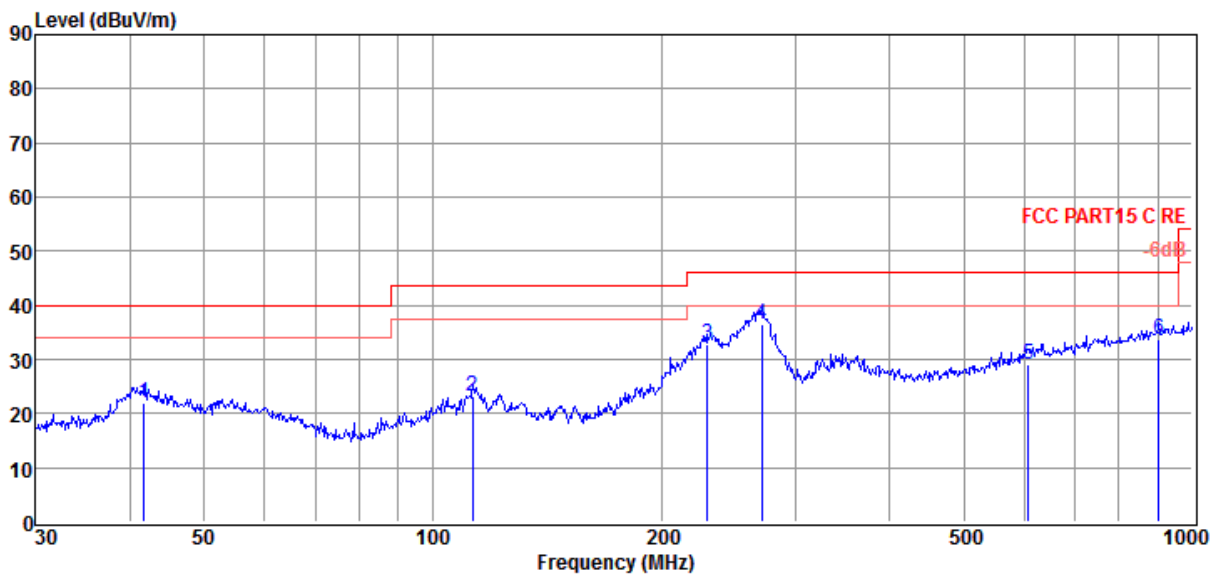
Item (Mark)	Freq. (MHz)	Read Level (dBuV)	Antenna Factor (dB/m)	Cable Loss (dB)	Result Level (dBuV/m)	Limit Line (dBuV/m)	Over Limit (dB)	Detector	Polarization
1	0.26	47.96	20.93	3.06	71.95	119.43	-47.48	Peak	VERTICAL
2	0.26	44.56	20.93	3.06	68.55	99.43	-30.88	Average	VERTICAL
3	0.64	14.07	21.04	3.10	38.21	71.43	-33.22	QP	VERTICAL
4	1.74	12.59	20.94	3.16	36.69	69.54	-32.85	QP	VERTICAL
5	5.06	11.37	20.70	3.25	35.32	69.54	-34.22	QP	VERTICAL
6	8.96	9.87	20.70	3.33	33.90	69.54	-35.64	QP	VERTICAL
7	22.06	8.15	20.77	3.50	32.42	69.54	-37.12	QP	VERTICAL

Note: 1. Result Level = Read Level + Antenna Factor + Cable loss - AMP Factor.  
 2. If Peak Result complies with QP limit, QP Result is deemed to comply with QP limit.  
 3. Test setup: 9k-150kHz, RBW: 200Hz; 150k-30Mhz, RBW: 9kHz, Sweep time: auto.

Above 30 MHz:

# TR-4-E-009 Radiated Emission Test Result

<b>Test Site</b>	: DDT 3m Chamber 2#	<b>D:\2021 RE2# Report Data\Q21062902-4E iBTW38\FCC BELOW1G.EM6</b>
<b>Test Date</b>	: 2021-07-15	<b>Tested By</b> : Zora
<b>EUT</b>	: Bluetooth Speaker + Clock + Qi Charger	<b>Model Number</b> : iBTW38
<b>Power Supply</b>	: AC 120V/60Hz	<b>Test Mode</b> : Tx mode
<b>Condition</b>	: Temp:24.5°C,Humi:55%,Press:100.1kPa	<b>Antenna/Distance</b> : 2020 VULB 9163 2#/3m/HORIZONTAL
<b>Memo</b>	:	

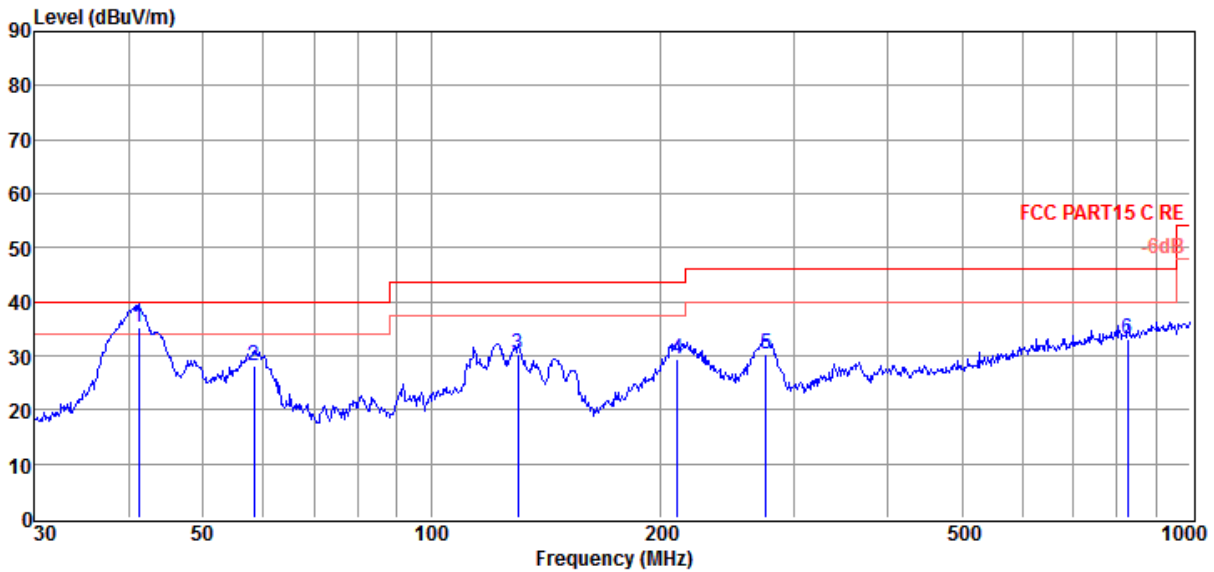


Item (Mark)	Freq. (MHz)	Read Level (dBμV)	Antenna Factor (dB/m)	Cable Loss (dB)	Result Level (dBμV/m)	Limit Line (dBμV/m)	Over Limit (dB)	Detector	Polarization
1	41.71	6.12	12.01	3.78	21.91	40.00	-18.09	QP	HORIZONTAL
2	112.92	8.73	10.09	4.50	23.32	43.50	-20.18	QP	HORIZONTAL
3	230.10	15.68	11.77	5.18	32.63	46.00	-13.37	QP	HORIZONTAL
4	271.33	18.63	12.57	5.36	36.56	46.00	-9.44	QP	HORIZONTAL
5	607.79	3.01	19.22	6.75	28.98	46.00	-17.02	QP	HORIZONTAL
6	903.31	4.15	21.91	7.71	33.77	46.00	-12.23	QP	HORIZONTAL

Note: 1. Result Level = Read Level + Antenna Factor + Cable loss - PRM Factor.  
 2. If Peak Result complies with QP limit, QP Result is deemed to comply with QP limit.  
 3. Test setup: RBW: 120 kHz, VBW: 300 kHz, Sweep time: auto.

# TR-4-E-009 Radiated Emission Test Result

**Test Site** : DDT 3m Chamber 2# D:\2021 RE2# Report Data\Q21062902-4E iBTW38\FCC BELOW1G.EM6  
**Test Date** : 2021-07-15 **Tested By** : Zora  
**EUT** : Bluetooth Speaker + Clock + Qi Charger **Model Number** : iBTW38  
**Power Supply** : AC 120V/60Hz **Test Mode** : Tx mode  
**Condition** : Temp:24.5°C,Humi:55%,Press:100.1kPa **Antenna/Distance** : 2020 VULB 9163 2#/3m/VERTICAL  
**Memo** :

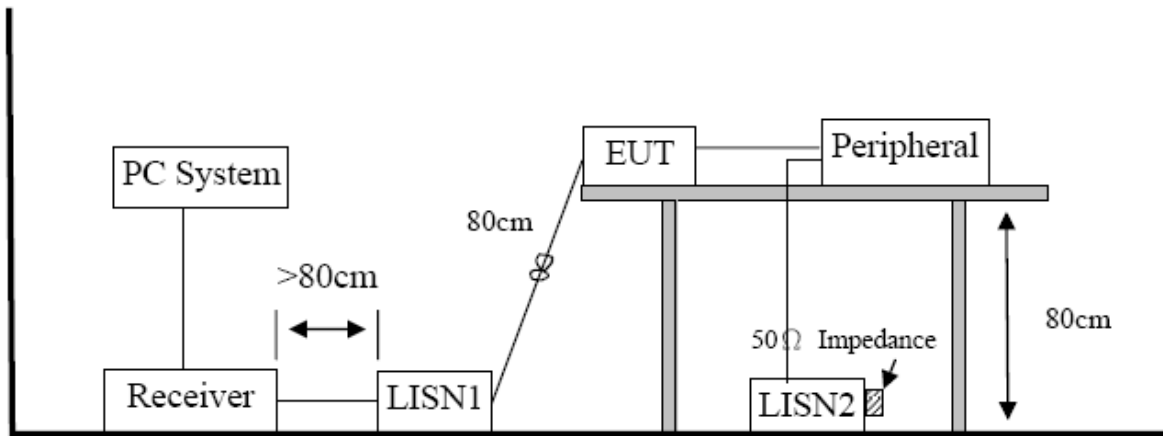


Item (Mark)	Freq. (MHz)	Read Level (dBuV)	Antenna Factor (dB/m)	Cable Loss (dB)	Result Level (dBuV/m)	Limit Line (dBuV/m)	Over Limit (dB)	Detector	Polarization
1	41.13	19.50	11.84	3.77	35.11	40.00	-4.89	QP	VERTICAL
2	58.41	12.53	11.56	3.94	28.03	40.00	-11.97	QP	VERTICAL
3	129.92	17.98	7.61	4.63	30.22	43.50	-13.28	QP	VERTICAL
4	210.79	13.36	10.93	5.09	29.38	43.50	-14.12	QP	VERTICAL
5	276.12	12.20	12.64	5.38	30.22	46.00	-15.78	QP	VERTICAL
6	827.49	4.42	21.12	7.45	32.99	46.00	-13.01	QP	VERTICAL

Note: 1. Result Level = Read Level + Antenna Factor + Cable loss - PRM Factor.  
 2. If Peak Result complies with QP limit, QP Result is deemed to comply with QP limit.  
 3. Test setup: RBW: 120 kHz, VBW: 300 kHz, Sweep time: auto.

## 6 Power Line Conducted Emission

### 6.1. Block diagram of test setup



### 6.2. Power line conducted emission limits

Frequency	Quasi-Peak Level dB( $\mu$ V)	Average Level dB( $\mu$ V)
150 kHz ~ 500 kHz	66 ~ 56*	56 ~ 46*
500 kHz ~ 5 MHz	56	46
5 MHz ~ 30 MHz	60	50

Note 1: \* Decreasing linearly with logarithm of frequency.

Note 2: The lower limit shall apply at the transition frequencies.

### 6.3. Test procedure

The EUT and Support equipment, if needed, were put placed on a non-metallic table, 80 cm above the ground plane.

Configuration EUT to simulate typical usage as described in clause 2.4 and test equipment as described in clause 10.2 of this report.

All I/O cables were positioned to simulate typical actual usage as per ANSI C63.10.

All support equipment power received from a second LISN.

Emissions were measured on each current carrying line of the EUT using an EMI Test Receiver connected to the LISN powering the EUT.

The Receiver scanned from 150 kHz to 30 MHz for emissions in each of the test modes.

During the above scans, the emissions were maximized by cable manipulation.

The test mode(s) described in clause 2.4 were scanned during the preliminary test.

After the preliminary scan, we found the test mode producing the highest emission level.

The EUT configuration and worst cable configuration of the above highest emission levels were recorded for reference of the final test.

EUT and support equipment were set up on the test bench as per the configuration with highest emission level in the preliminary test.

A scan was taken on both power lines, Neutral and Line, recording at least the six highest emissions.

Emission frequency and amplitude were recorded into a computer in which correction factors were used to calculate the emission level and compare reading to the applicable limit.

The test data of the worst-case condition(s) was recorded.

The bandwidth of test receiver is set at 9 kHz.

#### **6.4. Test result**

##### **Pass. (See below detailed test result)**

Note1: All emissions not reported below are too low against the prescribed limits.

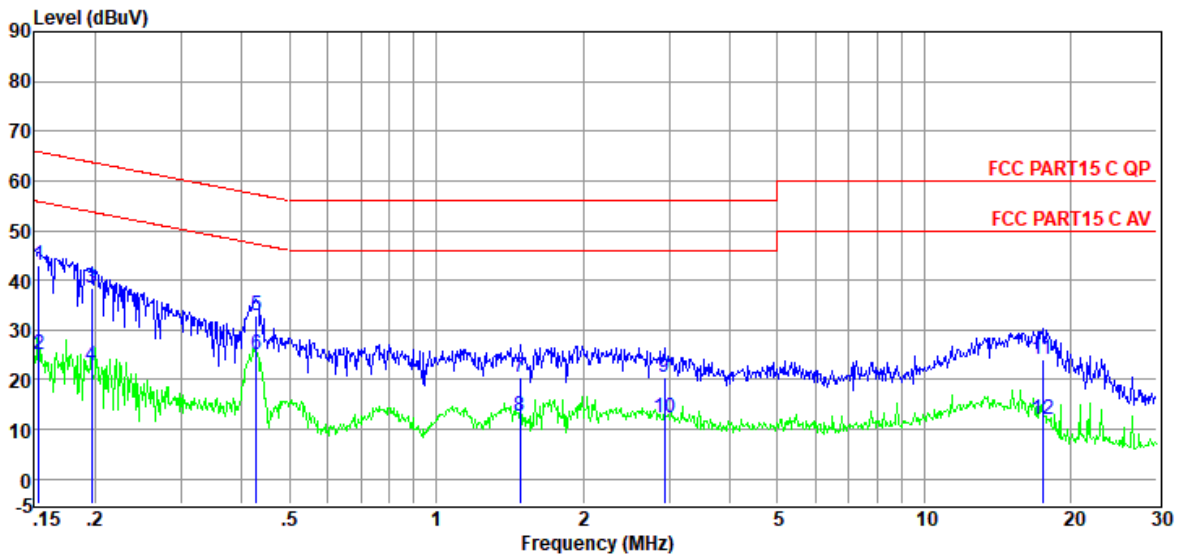
Note2: "-----" means Peak detection; "-----" means Average detection.

Note3: Pre-test AC conducted emission at both voltage AC 120V/60Hz and AC 240V/60Hz, recorded worse case (AC 120V/60Hz).

# TR-4-E-010 Conducted Emission Test Result

**Test Site** : DDT 1# Shield Room D:\2021 CE report date\Q21062902-1E iBTW38.ibtw23  
12\VR\RF CE.EM6  
**Test Date** : 2021-08-09 **Tested By** : Zora Zhang  
**EUT** : Bluetooth Speaker + Clock + Qi Charger **Model Number** : iBTW38  
**Power Supply** : AC 120V/60Hz **Test Mode** : Tx mode  
**Condition** : TEMP:24.8°C, RH:53.8%, BP:101.4kPa **LISN** : 2020 ENV 216 1#/NEUTRAL

**Memo** :



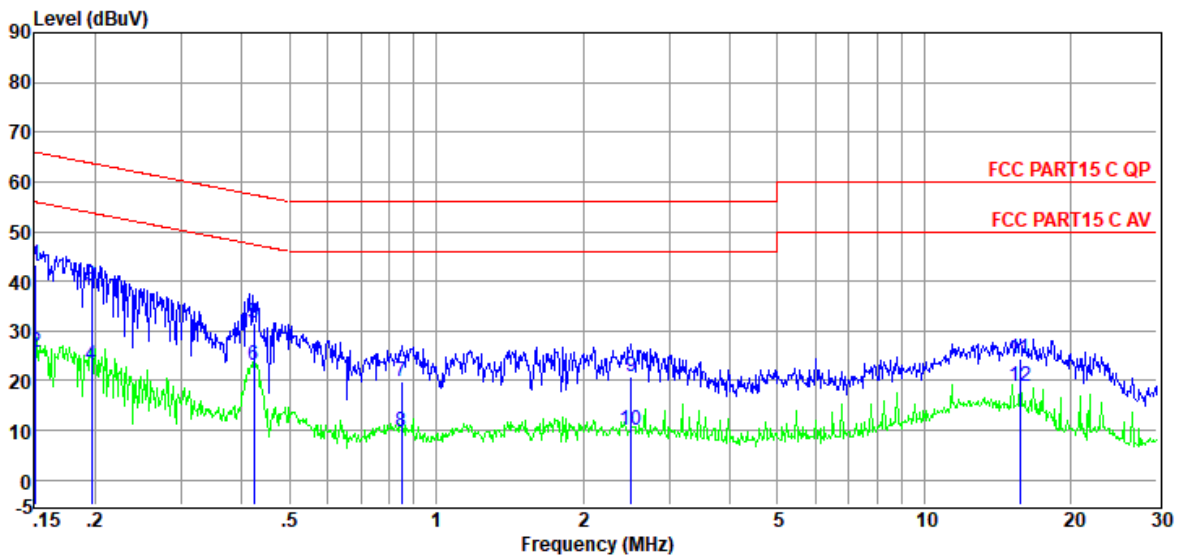
Item (Mark)	Freq. (MHz)	Read Level (dBμV)	LISN Factor (dB)	Cable Loss (dB)	Pulse Limiter Factor (dB)	Result Level (dBμV)	Limit Line (dBμV)	Over Limit (dB)	Detector	Phase
1	0.15	23.89	9.38	0.02	9.86	43.15	65.82	-22.67	QP	NEUTRAL
2	0.15	5.61	9.38	0.02	9.86	24.87	55.82	-30.95	Average	NEUTRAL
3	0.20	19.06	9.37	0.02	9.86	38.31	63.76	-25.45	QP	NEUTRAL
4	0.20	3.43	9.37	0.02	9.86	22.68	53.76	-31.08	Average	NEUTRAL
5	0.43	13.52	9.39	0.02	9.86	32.79	57.29	-24.50	QP	NEUTRAL
6	0.43	5.88	9.39	0.02	9.86	25.15	47.29	-22.14	Average	NEUTRAL
7	1.49	1.32	9.40	0.04	9.86	20.62	56.00	-35.38	QP	NEUTRAL
8	1.49	-6.57	9.40	0.04	9.86	12.73	46.00	-33.27	Average	NEUTRAL
9	2.93	1.02	9.41	0.06	9.87	20.36	56.00	-35.64	QP	NEUTRAL
10	2.93	-7.16	9.41	0.06	9.87	12.18	46.00	-33.82	Average	NEUTRAL
11	17.48	4.31	9.73	0.15	9.93	24.12	60.00	-35.88	QP	NEUTRAL
12	17.48	-7.71	9.73	0.15	9.93	12.10	50.00	-37.90	Average	NEUTRAL

**Note:**

1. Result Level = Read Level + LISN Factor + Pulse Limiter Factor + Cable loss.
2. If QP Result complies with AV limit, AV Result is deemed to comply with AV limit.
3. Test setup: RBW: 200 Hz (9 kHz—150 kHz), 9 kHz (150 kHz—30 MHz).
4. Step size: 80Hz (0.009MHz-0.15MHz), 4 kHz (0.15MHz-30MHz), Scan time: auto.

# TR-4-E-010 Conducted Emission Test Result

**Test Site** : DDT 1# Shield Room  
**Test Date** : 2021-08-09  
**EUT** : Bluetooth Speaker + Clock + Qi Charger  
**Power Supply** : AC 120V/60Hz  
**Condition** : TEMP:24.8°C, RH:53.8%, BP:101.4kPa  
**Memo** :  
**D:\2021 CE report date\Q21062902-1E iBTW38.ibtw23 12V\RF CE.EM6**  
**Tested By** : Zora Zhang  
**Model Number** : iBTW38  
**Test Mode** : Tx mode  
**LISN** : 2020 ENV 216 1#/LINE



Item (Mark)	Freq. (MHz)	Read Level (dBμV)	LISN Factor (dB)	Cable Loss (dB)	Pulse Limiter Factor (dB)	Result Level (dBμV)	Limit Line (dBμV)	Over Limit (dB)	Detector	Phase
1	0.15	23.98	9.39	0.02	9.86	43.25	65.96	-22.71	QP	LINE
2	0.15	6.58	9.39	0.02	9.86	25.85	55.96	-30.11	Average	LINE
3	0.20	19.65	9.40	0.02	9.86	38.93	63.76	-24.83	QP	LINE
4	0.20	3.90	9.40	0.02	9.86	23.18	53.76	-30.58	Average	LINE
5	0.42	12.20	9.41	0.02	9.86	31.49	57.37	-25.88	QP	LINE
6	0.42	3.63	9.41	0.02	9.86	22.92	47.37	-24.45	Average	LINE
7	0.85	0.57	9.42	0.03	9.86	19.88	56.00	-36.12	QP	LINE
8	0.85	-9.63	9.42	0.03	9.86	9.68	46.00	-36.32	Average	LINE
9	2.51	1.38	9.43	0.06	9.87	20.74	56.00	-35.26	QP	LINE
10	2.51	-9.46	9.43	0.06	9.87	9.90	46.00	-36.10	Average	LINE
11	15.72	4.69	9.67	0.14	9.92	24.42	60.00	-35.58	QP	LINE
12	15.72	-1.06	9.67	0.14	9.92	18.67	50.00	-31.33	Average	LINE

**Note:**

1. Result Level = Read Level + LISN Factor + Pulse Limiter Factor + Cable loss.
2. If QP Result complies with AV limit, AV Result is deemed to comply with AV limit.
3. Test setup: RBW: 200 Hz (9 kHz—150 kHz), 9 kHz (150 kHz—30 MHz).
4. Step size: 80Hz (0.009MHz-0.15MHz), 4 kHz (0.15MHz-30MHz), Scan time: auto.

## 7 Antenna Requirements

For intentional device, according to FCC 47 CFR Section 15.203, an intentional radiator shall be designed to ensure that no antenna other than that furnished by the responsible party shall be used with the device. The use of a permanently attached antenna or of an antenna that uses a unique coupling to the intentional radiator shall be considered sufficient to comply with the provisions of this section. The manufacturer may design the unit so that a broken antenna can be replaced by the user, but the use of a standard antenna jack or electrical connector is prohibited.

Conclusion: The antenna used for this product is inductive loop coil antenna and that no antenna other than that furnished by the responsible party shall be used with the device.