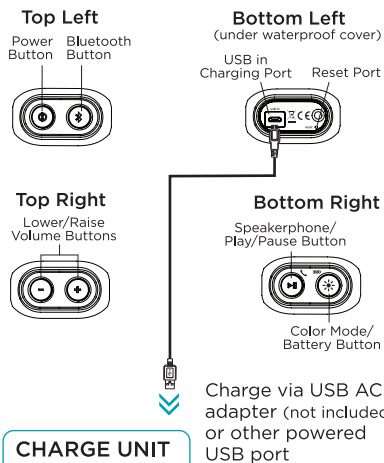


iHome

Bluetooth Waterproof
Floatable Speaker
Model: iBT822

QUICK START GUIDE

In the Box » iBT822 speaker
» charging cable » carry strap



CHARGE UNIT BEFORE USE ABOUT 3 HOURS



BLUETOOTH: PAIRING & PLAYING

Pairing the First Time



Manual Pairing



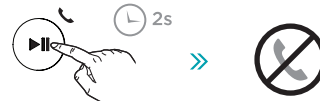
- » Make your Bluetooth device "discoverable".
- » Press and hold the **Power Button** on top left of unit for 2 sec. to power ON.
- » The first time the unit is powered on it will enter auto-pairing mode.
- » To manually pair, *press and hold Bluetooth Button* for 2 sec.
- » Select "iHome iBT822" on your device's Bluetooth menu to complete pairing.
- » Press **Play/Pause/Speakerphone Button** to play and pause Bluetooth audio.
- » Press **-/+ Button** to adjust volume.
- » Press **Power Button** to power OFF.

USING SPEAKERPHONE

Answer Call



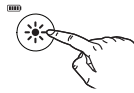
End Call



- » The speaker must be on and connected with a paired Bluetooth device to receive calls.
- » Press the **Play/Pause/Speakerphone Button** to answer incoming call. *Press and hold* to ignore/end call.

COLOR CHANGE MODE

- » Press the **Color Mode/Battery Button** to cycle through the color modes: Slow Fade, fst Change, Favorite Color, Pulse To Music, Preset Pulsing and OFF.



Contact Us: 1-800-288-2792

For warranty visit:
www.ihome.com/support

LED STATUS INDICATOR (TOP OF UNIT)

- Flashing red = charging
- Red LED off = fully charged
- Flashing red = low battery (not connected)
- Flashing blue = pairing
- Solid blue = connected to bluetooth

BATTERY CHARGE LEVEL REVIEW

- » Press and hold the **Color Mode/Battery Button** to enter Battery Review Mode. The built-in voice will announce the current battery level.

USING THE VOICE CONTROL FEATURE

NOTE: The unit must be powered on and linked to an iOS or Android Bluetooth device to use Voice Control. Press and hold the **Play/Pause/Speakerphone Button** for 2 seconds and wait for beep to activate voice control with Siri or Google Assistant.

Voice control requires an active internet connection on connected Bluetooth device with iOS 10 and Android 4.1 and later. When activated, the speaker microphone acts as an extension of the microphone in your smartphone to make/take calls, enable you to ask Siri/Google Assistant™ to play music and more.

BACK

FCC Information

FCC ID: EMOIBT822
IC: 986B-IBT822

FCC Radiation Exposure Statement

This equipment complies with FCC RF radiation exposure limits set forth for an uncontrolled environment.

This device complies with Part 15 of the FCC Rules, operation is subject to the following two conditions: (1) This device may not cause harmful interference, and (2) this device must accept any interference received, including interference that may cause undesired operation.

- Warning: Changes or modifications to this unit not expressly approved by the party responsible for compliance could void the user's authority to operate the equipment.
- NOTE: This equipment has been tested and found to comply with the limits for a Class B digital device, pursuant to Part 15 of the FCC Rules.

These limits are designed to provide reasonable protection against harmful interference in a residential installation. This equipment generates, uses and can radiate radio frequency energy and, if not installed and used in accordance with the instructions, may cause harmful interference to radio communications.

However, there is no guarantee that interference will not occur in a particular installation. If this equipment does cause harmful interference to radio or television reception, which can be determined by turning the equipment off and on, the user is encouraged to try to correct the interference by one or more of the following measures:

- Reorient or relocate the receiving antenna.
- Increase the separation between the equipment and receiver.
- Connect the equipment into an outlet on a circuit different from that to which the receiver is connected.
- Consult the dealer or an experienced radio/TV technician for help.

CAN ICES-3 (B)/NMB-3(B)

iBT822-010418-A

Printed in China

Canada Statement

This device complies with Industry Canada's licence-exempt RSSs. Operation is subject to the following two conditions:

- (1) This device may not cause interference; and
- (2) This device must accept any interference, including interference that may cause undesired operation of the device.

Le présent appareil est conforme aux CNR d'Industrie Canada applicables aux appareils radio exempts de licence. L'exploitation est autorisée aux deux conditions suivantes :

- (1) l'appareil ne doit pas produire de brouillage;
- (2) l'utilisateur de l'appareil doit accepter tout brouillage radioélectrique subi, même si le brouillage est susceptible d'en compromettre le fonctionnement.

The device meets the exemption from the routine evaluation limits in section 2.5 of RSS 102 and compliance with RSS-102 RF exposure, users can obtain Canadian information on RF exposure and compliance.

Le dispositif rencontre l'exemption des limites courantes d'évaluation dans la section 2.5 de RSS 102 et la conformité à l'exposition de RSS-102 rf, utilisateurs peut obtenir l'information canadienne sur l'exposition et la conformité de rf.

Internal Rechargeable Lithium-ion Battery

This device uses an internal non-replaceable rechargeable lithium-ion battery that should last the lifetime of the device. If you suspect your battery may be dead, try charging it for an extended period of time and try resetting the unit. If this fails, contact Customer Service at 1-800-288-2792.

WARNING/DISPOSAL OF UNIT

Do NOT attempt to change the battery. Doing so will void the warranty and could cause injury and damage to your device. To dispose of the unit, follow the instructions below:

- Never dispose of used batteries/electronics with ordinary solid wastes, since they contain toxic substances.
- Always dispose of used batteries/electronics in accordance with the prevailing community regulations.
- Many electronics retailers now recycle batteries and other electronic components at no charge

GENERAL BATTERY PRECAUTIONS

- Never use or charge a battery if it appears to be leaking, discolored, deformed, or in any way abnormal.
- Never disassemble the unit or attempt to remove battery as that could cause leakage of alkaline solution or other electrolytic substances.
- Avoid charging a rechargeable battery when the temperature is not within 5°C - 35°C (41° - 95° Fahrenheit).
- Never expose a battery to any liquid.
- Never expose a battery to excessive heat such as direct sunlight or fire. Never use a battery pack in an unventilated vehicle where excessive internal temperatures may be encountered.
- Always keep batteries out of the reach of infants and small children.

Bluetooth is a registered trademark of Bluetooth SIG Inc. Bluetooth technology is incorporated under license from Bluetooth SIG Inc. Apple App Store and Apple Watch are trademarks of Apple Inc., registered in the U.S. and other countries. Google Play Store is a trademark of Google, Inc.

IMPORTANT INFORMATION ABOUT WATERPROOF OPERATION

- The unit is IP67 waterproof rated, meaning it is immersible for up to 30 minutes at a depth of 1 meter (3 feet). It will typically withstand rain, snow and being submersed in shallow water. Longer duration or deeper immersion that exceeds the tested limits may cause product failure and void the warranty.
- DO NOT immerse the unit in water for extended periods.
- DO NOT immerse the unit in water deeper than 1 meter (about 3 feet).
- Make sure cover and surrounding surfaces are completely dry before opening cover to prevent moisture from damaging the internal electronics.
- Keep rubber cover free of dirt, sand, or other objects that can interfere with proper sealing. If for any reason the waterproof cover is not making a tight waterproof seal water may enter the unit.
- Rinse with tap water after immersion in salt water or swimming pool.
- DO NOT clean unit with oily soaps or use chemicals or solvents. Clean with damp cloth.

iHome

For warranty and full instructions
visit: www.ihome.com/support
Contact Us: 1-800-288-2792