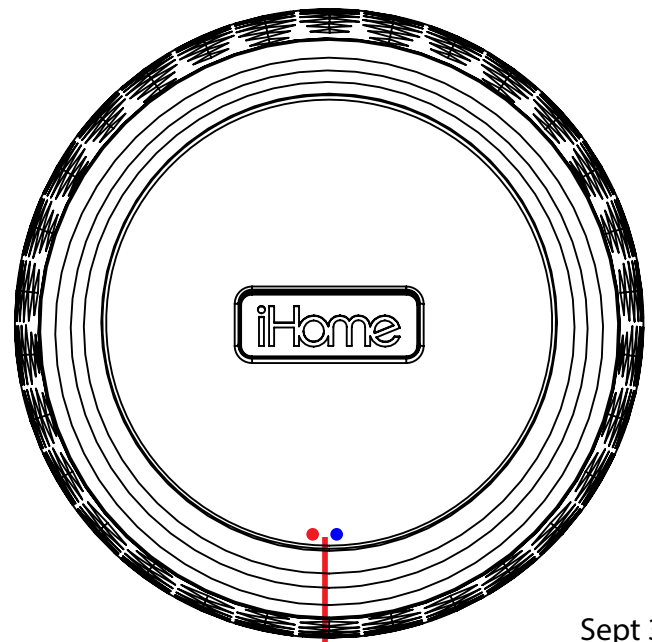


iHome GAW	
Version: 4	Model #: iBT75
Designer: Mitchell Bailey	
Date: 09.29.2016	
CONFIDENTIAL and PROPRIETARY: The information contained herein including, but not limited to the products, renderings, concepts and designs comprise intellectual property of SDI Technologies Inc. and shall be kept confidential and shall not be used or disclosed by the recipient without the written authority of SDI Technologies Inc.	

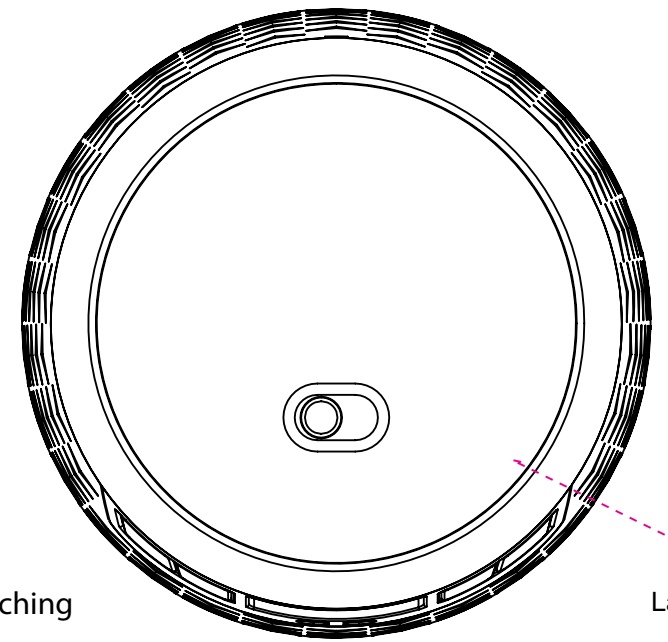


Sept 30, 2016
Charging Red LED & Pairing Blue/WS Green LED (Under Grille)

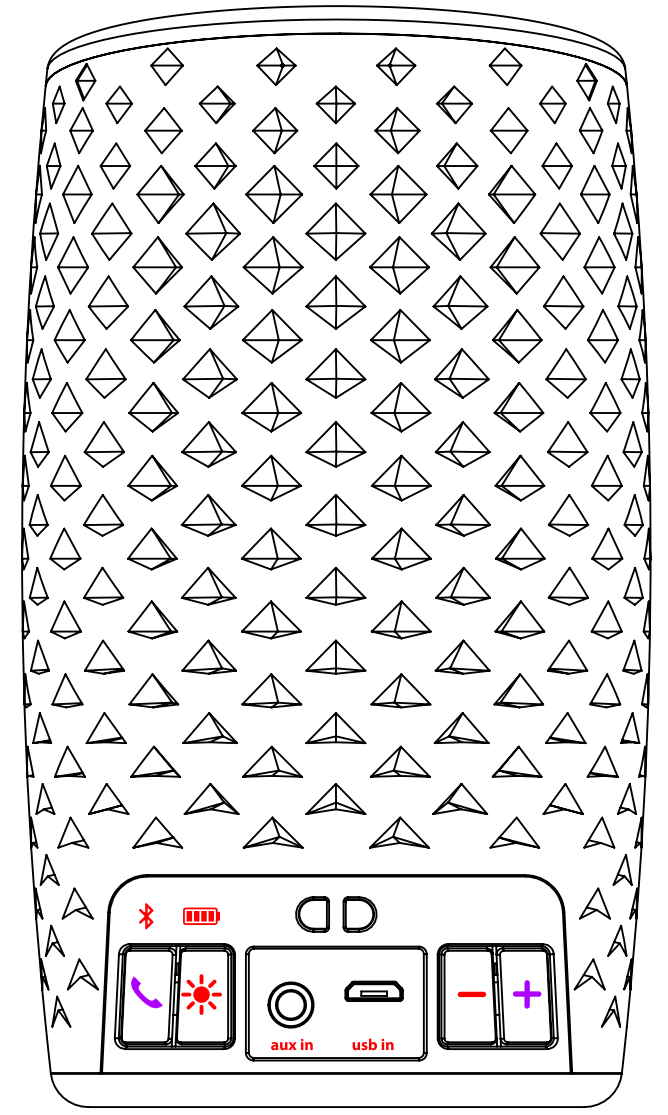
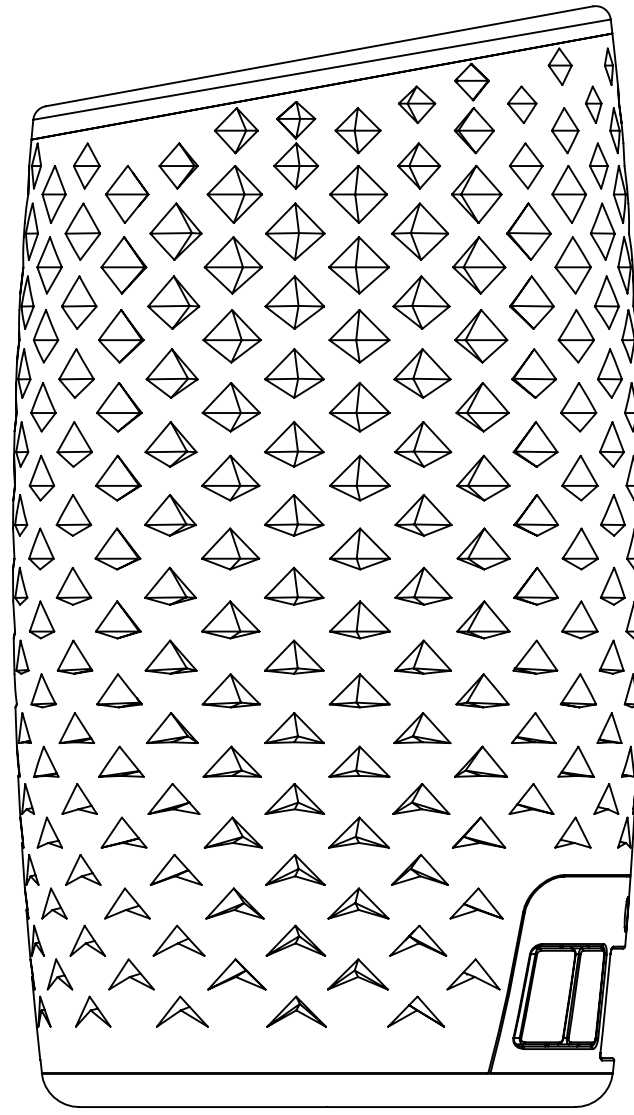
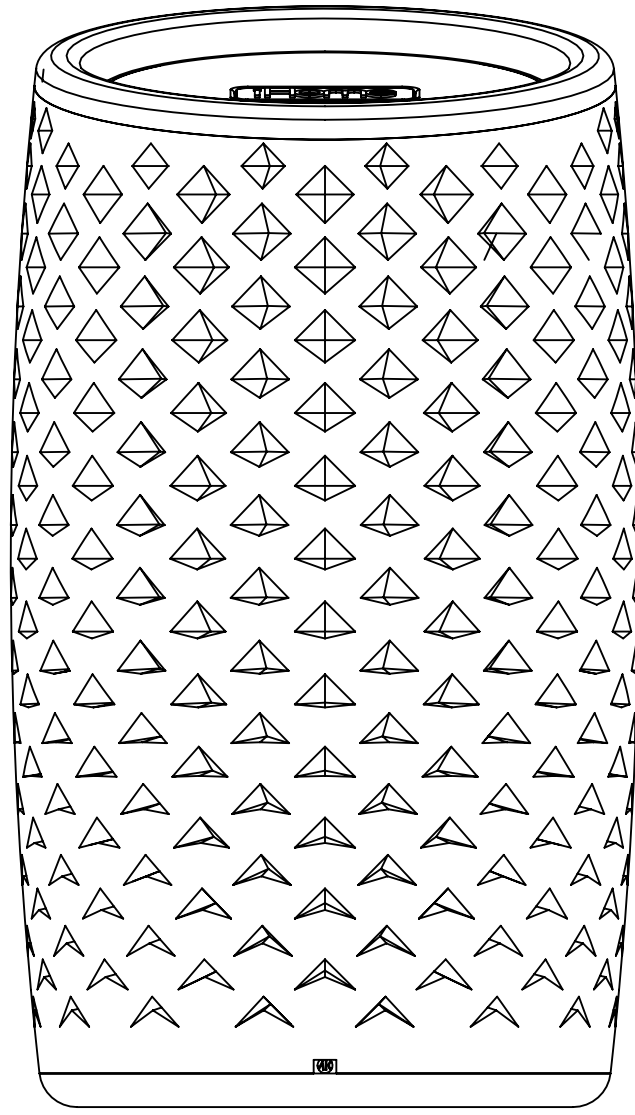


Model Plate
color: Cool gray 9C
matte black PET cut sheet (BPA free)
Sept 30, 2016

it is location, and laser etching



Label Location



All Graphics in RED are DEBOSSSED with glossy finish. debossed: 0.3mm
All Graphics in PURPLE are EMBOSSSED with glossy finish. embossed: 0.3mm