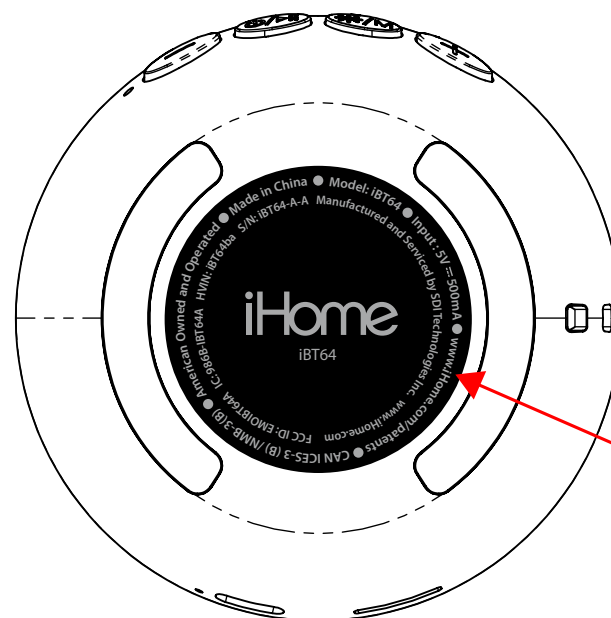
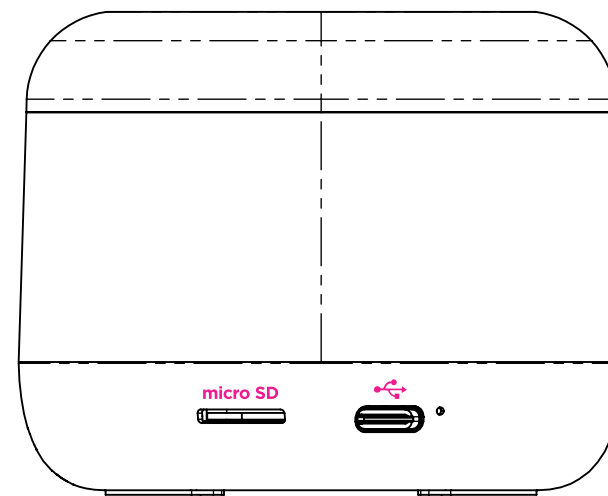
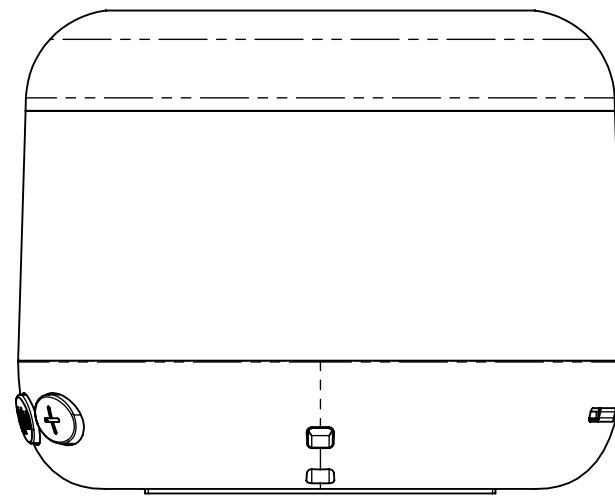


Tool Defined graphic artwork will not change



Laser etching model info

iHome		GAW	
Title: SoundBoost Glow Mini			
Version: 2		Model #: iBT64	
Designer: Andreas Haji-Georgi			
Date: 06.29.2022			
<p>CONFIDENTIAL and PROPRIETARY: The information contained herein including, but not limited to the products, renderings, concepts and designs comprise intellectual property of SDI Technologies Inc. and shall be kept confidential and shall not be used or disclosed by the recipient without the written authority of SDI Technologies Inc.</p>			

PINK - silkscreen
 *FOLLOW /DL COLOR SPECIFIED
 PRINT FOR ALL PRINTED ICONS ON PRODUCT.
BLUE - deboss 0.3mm
PURPLE - Emboss 0.3mm
GREEN - Lasercut and backlit