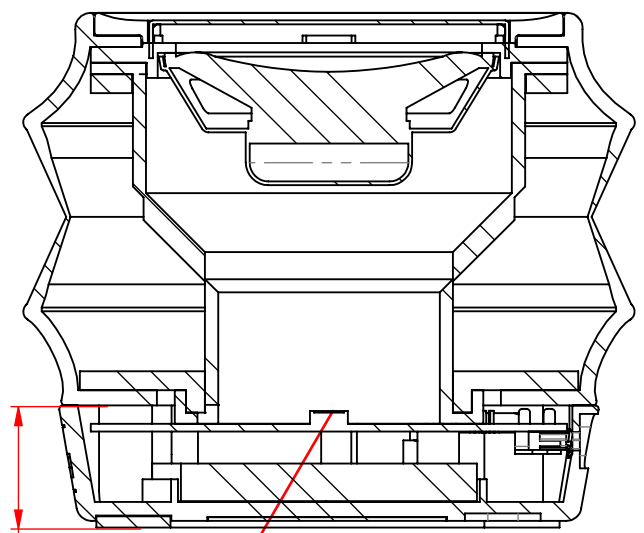
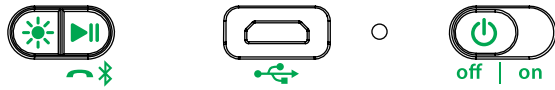
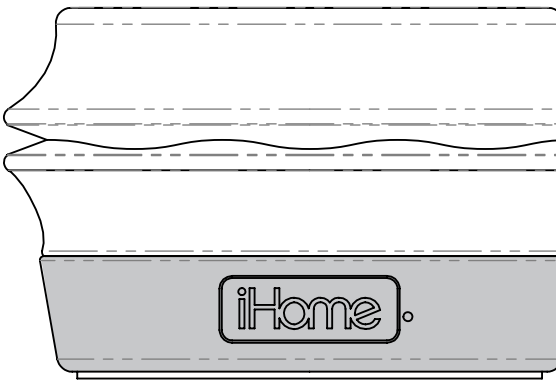
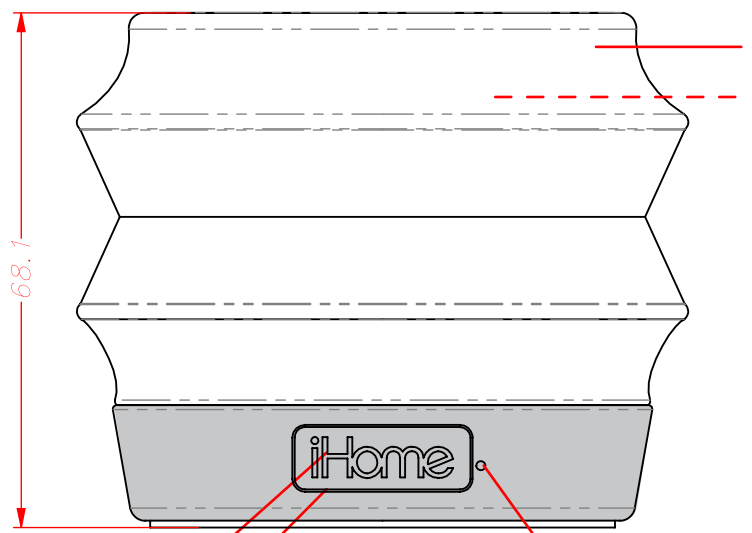


GAW, silkscreen, see DL for color

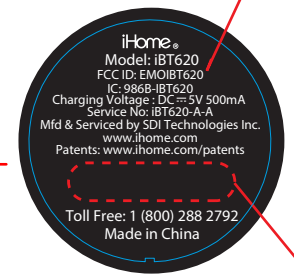
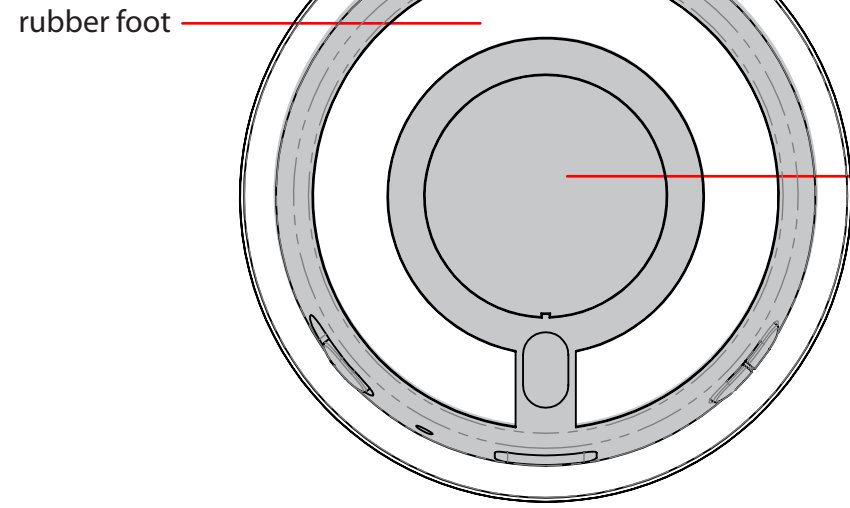


iHome logo, emboss 0.3mm with chrome print over

"badge" frame, deboss 0.3mm all area within "badge" is GLOSSY



iBT620 Model plate
 On bottom panel of all colors
 Material: Black label Heavy glued label
 Print: PMS430C (text)
 Matt Coating
 31.9 mmW x 31.9mmH
 Mar 8, 2017
 (Taide)



Date code location-die cut don't print the dot line

iHome GAW	
Title: Collapsible Light-up Bluetooth Mini Speaker	
Version: 2	Model #: iBT620
Designer: Jen Garrett	
Date: 03.09.2017	
CONFIDENTIAL and PROPRIETARY: The information contained herein including, but not limited to the products, renderings, concepts and designs comprise intellectual property of SDI Technologies Inc. and shall be kept confidential and shall not be used or disclosed by the recipient without the written authority of SDI Technologies Inc.	