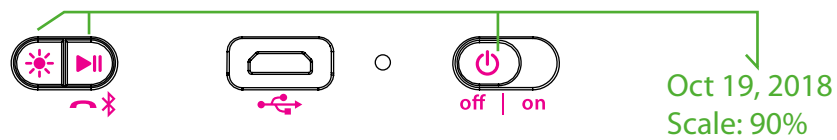
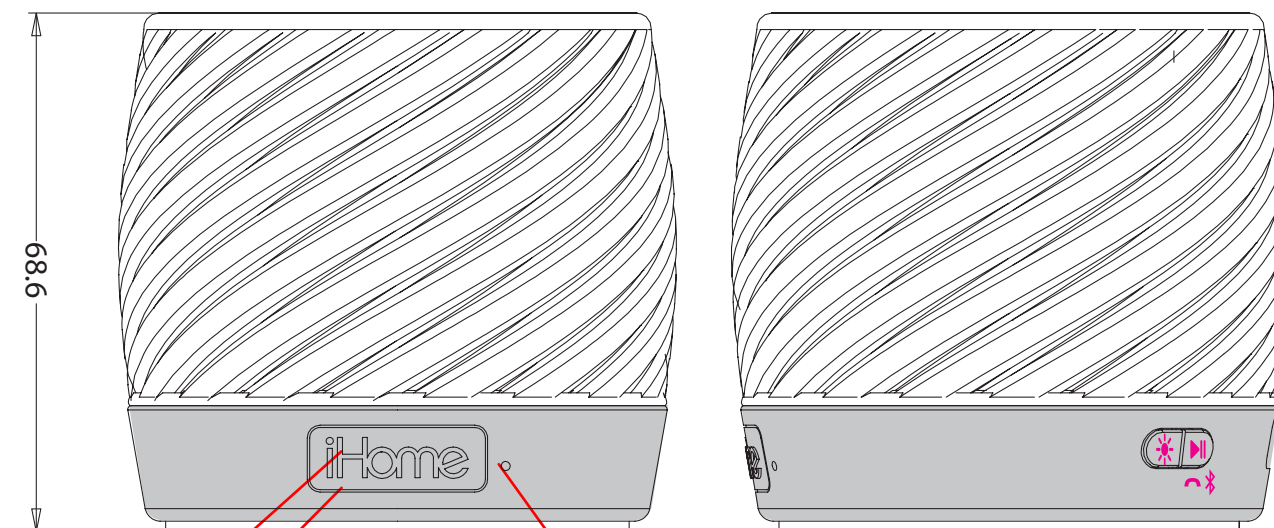
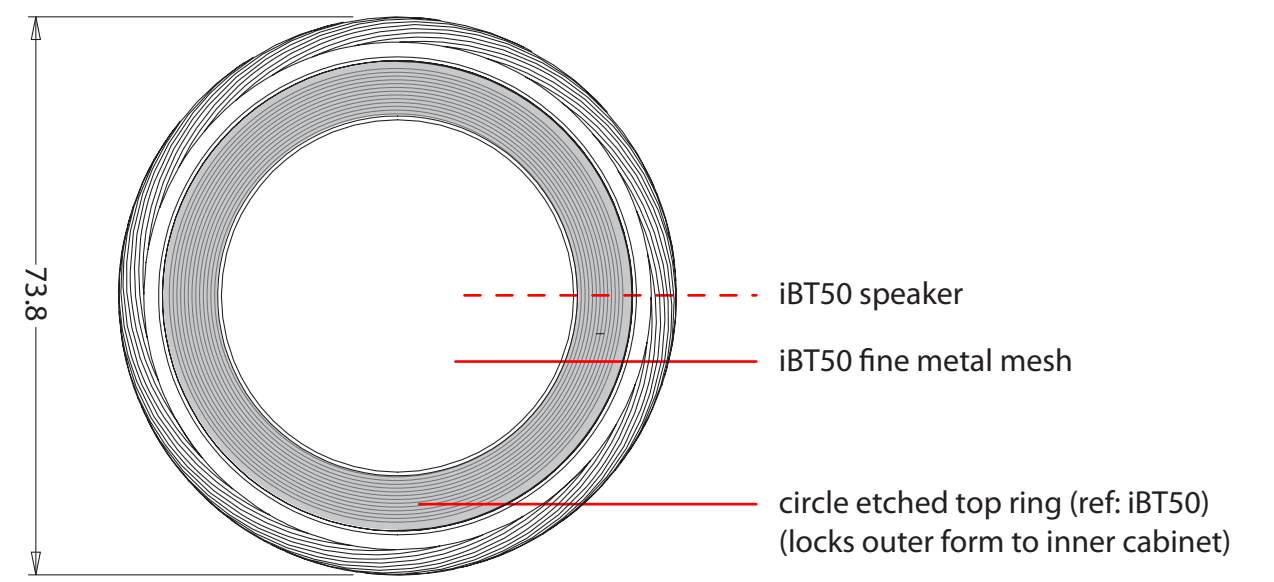
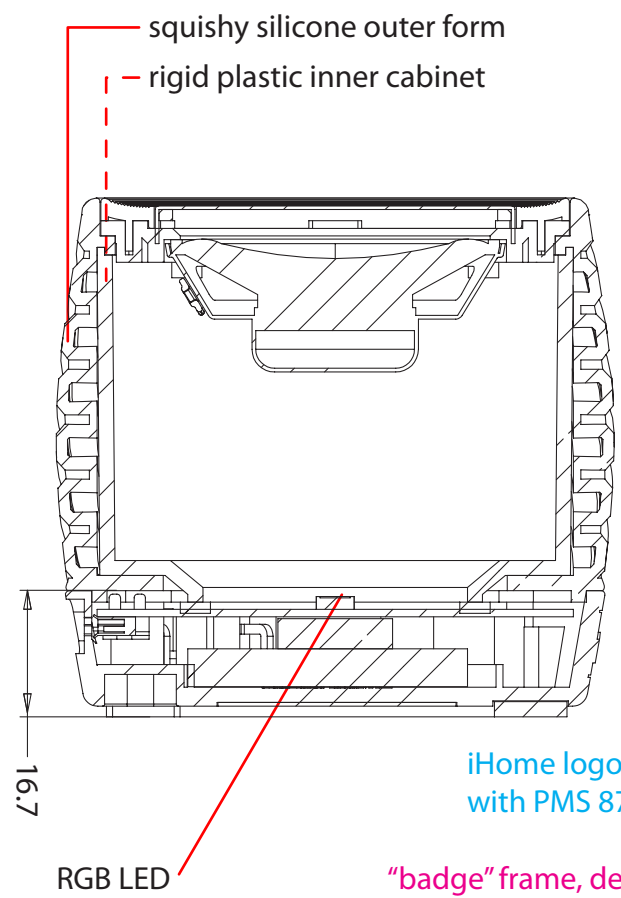


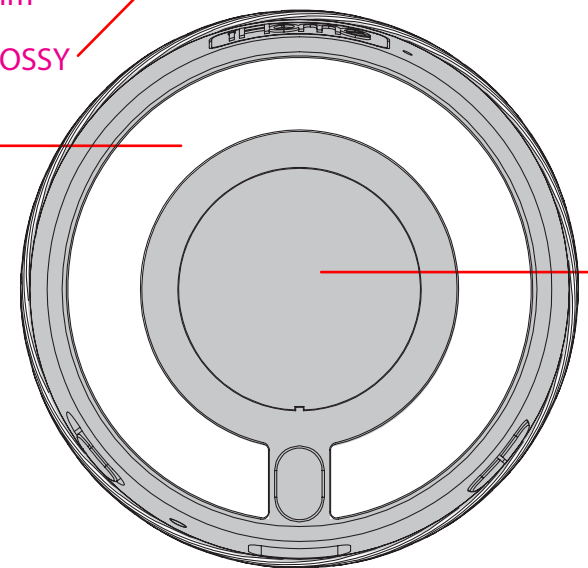
GAW, silkscreen, see DL for color red/blue power/pairing LED



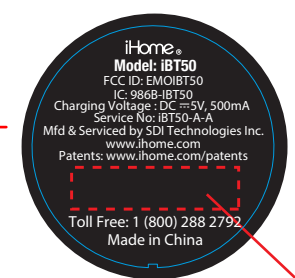
iHome GAW	
Title: Silicone Color-Changing Bluetooth Mini Speaker	
Version: 1	Model #: iBT50
Designer: Jen Garrett	
Date: 04.03.2018	
CONFIDENTIAL and PROPRIETARY: The information contained herein including, but not limited to the products, renderings, concepts and designs comprise intellectual property of SDI Technologies Inc. and shall be kept confidential and shall not be used or disclosed by the recipient without the written authority of SDI Technologies Inc.	



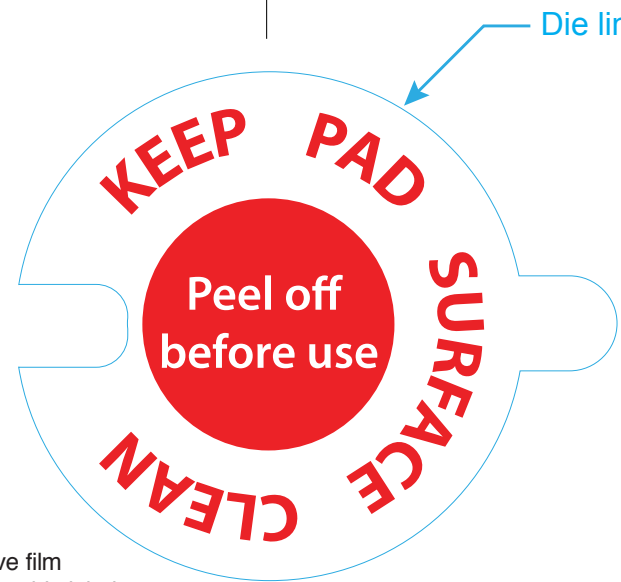
iHome logo, emboss 0.3mm with PMS 877 padprint over
 "badge" frame, deboss 0.3mm
 all area within "badge" is GLOSSY



June 6, 2018
 iBT50 Model plate
 On bottom panel of all colors
 Material: Black label Heavy glued label
 Print: PMS430C (text)
 Matt Coating
 31.9 mmW x 31.9mmH



Date code location (don't print the dot line)



iBT50
 Rubber pad protective film
 Material: Clear removeable label
 Printing color: Red (PMC 185C)
 Oct 23, 2018
 size: 79mm x 67.5mm