

**Questions or Comments**

For questions or comments regarding this or other eKids products, please visit our website: [www.ekids.com](http://www.ekids.com)

**Maintenance**

It is important to keep the unit as dry and clean as possible. Clean the unit with a soft cloth moistened only with mild soap and water. Stronger cleaning agents, such as thinner or similar materials are not recommended, as they may damage the surface of the case.

**Limited 1 Year Warranty Information**

eKids, LLC warrants this product to be free from defects in workmanship and materials, under normal use and conditions, for a period of one (1) year from the date of original purchase.

Should this product fail to function in a satisfactory manner, it is best to first return it to the store where it was originally purchased. Should this fail to resolve the matter and service still be required by reason of any defect or malfunction during the warranty period, eKids will repair or, at its discretion, replace this product without charge. This decision is subject to verification of the defect or malfunction upon delivery of this product to the Factory Service Center authorized by Customer Service. If service is required, please contact Customer Service at [ekids.com/support](http://ekids.com/support) to obtain a Return Authorization Number and shipping instructions. A copy of the sales receipt is required to validate in-warranty coverage.

**Disclaimer of Warranty**

NOTE: This warranty is valid only if the product is used for the purpose for which it was designed. It does not cover (i) products which have been damaged by negligence or willful actions, misuse or accident, or which have been modified or repaired by unauthorized persons; (ii) cracked or broken cabinets, or units damaged by excessive heat; (iii) damage to digital media players, CD's or tape cassettes (if applicable); (iv) the cost of shipping this product to the Factory Service Center and its return to the owner.

This warranty is valid only in the United States of America and does not extend to owners of the product other than to the original purchaser. In no event will eKids or any of its affiliates, contractors, resellers, their officers, directors, shareholders, members or agents be liable to you or any third party for any consequential or incidental damages, any lost profits, actual, exemplary or punitive damages. (Some states do not allow limitations on implied warranties or exclusion of consequential damages, so these restrictions may not apply to you.) This warranty gives you specific legal rights, and you may also have other rights which vary from state to state.

Your acknowledgment and agreement to fully and completely abide by the above mentioned disclaimer of warranty is contractually binding to you upon your transfer of currency (money order, cashier's check, or credit card) for purchase of your eKids products.

© 2024 eKids, LLC  
Questions? Visit [www.ekids.com](http://www.ekids.com)  
1299 Main Street Rahway NJ 07065

Printed in China

B24-050824-A(LS)

**FCC Information**

This device complies with Part 15 of the FCC rules. Operation is subject to the following two conditions: (1) this device may not cause harmful interference, and (2) this device must accept any interference received, including interference that may cause undesired operation.

NOTE: This equipment has been tested and found to comply with the limits for a Class B digital device, pursuant to Part 15 of the FCC rules. These limits are designed to provide reasonable protection against harmful interference in a residential installation. This equipment generates, uses, and can radiate radio frequency energy and, if not installed and used in accordance with the instructions, may cause harmful interference to radio communications. However, there is no guarantee that interference will not occur in a particular installation. If this equipment does cause harmful interference to radio or television reception, which can be determined by turning the equipment off and on, the user is encouraged to try to correct the interference by one or more of the following measures:

- Reorient or relocate the receiving antenna.
  - Increase the separation between the equipment and receiver.
  - Connect the equipment into an outlet on a circuit different from that to which the receiver is connected.
  - Consult the dealer or an experienced radio/TV technician for help.
- WARNING: Changes or modifications to this unit not expressly approved by the party responsible for compliance could void the user's authority to operate the equipment.

**RF Exposure**

This equipment complies with FCC radiation exposure limits set forth for an uncontrolled environment. This transmitter must not be co-located or operating in conjunction with any other antenna or transmitter.

CAN ICES-3 (B)/NMB-3(B)

**Internal Rechargeable Lithium-ion Battery**

This device uses an internal rechargeable lithium-ion battery that should last the lifetime of the device. If you suspect your battery may be dead, try charging it several times. If problems persist, please do not attempt to repair unit; see warranty for factory service.

**WARNING/DISPOSAL OF UNIT**

Please do NOT attempt to change the battery yourself. Doing so may damage the unit and will void your warranty.

- Never dispose of used batteries/electronics with ordinary solid wastes, since they contain toxic substances.
- Always dispose of used batteries/electronics in accordance with the prevailing community regulations. Many electronics retailers now recycle batteries and other electronic components at no charge. To find a drop-off location near you, visit [www.call2recycle.com](http://www.call2recycle.com)

**CAUTION**

The battery used in this device may present a risk of fire, explosion or chemical burn if mistreated. Never use or charge the battery if it appears to be leaking, discolored, deformed, or in any way abnormal. Never disassemble the unit or attempt to remove battery as that could cause leakage of alkaline solution or other electrolytic substance. Always confirm that the temperature is 5°C – 35°C (41° - 95° Fahrenheit) before you charge the battery. Leakage or deterioration of the battery may occur if this warning is not heeded.

- Never expose the battery to any liquid.
- Never expose the battery to excessive heat such as direct sunlight or fire. Never use the battery pack in an unventilated vehicle where excessive internal temperatures may be encountered.
- Always keep the battery out of the reach of infants and small children.

For additional information about the EZ Link feature and app, please scan the QR code to match your product:



Disney Princess



Encanto



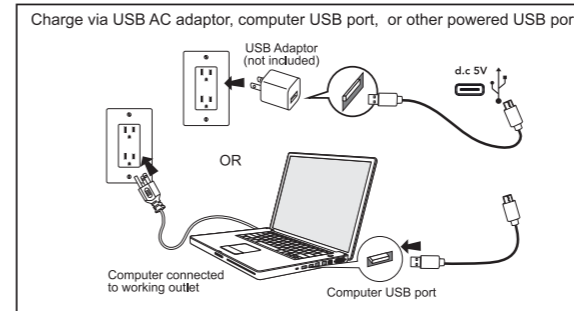
Frozen

FCC ID: EMOB24B

IC: 986B-B24B

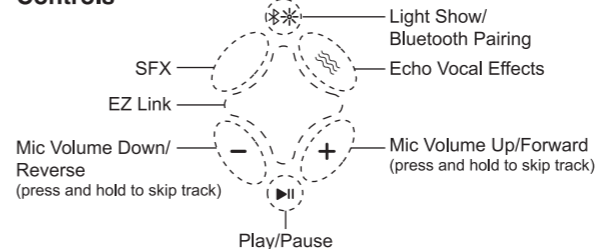
HVIN: B24b

**Charging The Battery:**



1. Connect the included USB-C cord to the USB-C charging port on the back of the unit.
2. Connect the standard USB plug end of the cord to a power USB port on a computer or other USB charging device.

**Controls**



This unit ships in Demo Mode for in-store demonstration purposes. When ready to play, slide the **OFF/ON/MIC** Switch on the side of the unit to **ON** Mode.

**Connecting to Bluetooth**

- Turn on your Bluetooth device and enable Bluetooth mode (check in Options or Settings).
- Press and hold the Bluetooth Pairing Button on the microphone to enter pairing mode.
- Using your Bluetooth device, select the Bluetooth pairing name for your product:
  - For Disney Princess: "EZ-Link B24DP"
  - For Encanto: "EZ-Link B24EN"
  - For Frozen: "EZ-Link B24FR"
- A tone will sound to confirm once your device is paired. Put your Bluetooth device in play mode to play audio.
- Use the "Forward", "Reverse" and "Play/Pause" buttons on the microphone to navigate tracks.

**Installing EZ Link Setup App**

Use the EZ Link Setup app to access your favorite Disney playlists on a variety of different music streaming services. This function will need to be activated before use. To set up the app:

- Download the free EZ Link Setup app from the Apple Store or Google Play, and install it on your Bluetooth-enabled iOS or Android device.
- Make sure your Bluetooth device is powered on and connected to the microphone.
- Follow the prompts in the EZ Link Setup app to choose a preferred music streaming service, and complete setup.
- Keep the EZ Link Setup app open and running on your Bluetooth enabled device to use the EZ Link feature seamlessly.

**Using EZ Link Button**

Once the app is enabled, use the EZ Link Button on the microphone to access Disney playlists:

- Press the EZ Link Button once to connect to your selected streaming service, and enjoy a custom Disney playlist themed to your product.
- Press and hold the EZ Link Button to connect to the Disney Hits playlists, and enjoy even more great music!

**Note:** Product must be paired to an iOS or Android device that is running the EZ Link Setup app. It may take a few seconds to connect to your streaming service and playlist. Some streaming services require you to press 'Play' on your Bluetooth device. No user information is gathered when using the app.

If the unit does not respond:

- Make sure unit is completely charged.
- To re-pair your device, press and hold the Bluetooth Pairing Button on the front of the unit.

**Note:** The rechargeable battery can be replaced only by eKids Consumer Repair Department.

**App Troubleshooting:**

If you press the EZ Link Button, but a playlist does not open:

- Confirm your Bluetooth device is connected to the unit.
- Make sure the EZ Link Setup app is installed and running on your 'unlocked' Bluetooth device.
- Make sure the EZ Link Button is enabled (via EZ Link Setup app).

For further information and to see the latest instructions, visit [www.ekids.com](http://www.ekids.com)