

### FRONT OF UNIT

MODE/Light Show  
 Previous Track/Volume Down  
 Play/Pause/Bluetooth Pairing  
 Next Track/Volume Up  
 Record

### USING THE LIGHT SHOW

- Press and hold the Mode/Light Show Button for 3 seconds to cycle through 6 different Light Show Patterns, and OFF. Light Show Patterns: Quick, Slow In, Pinball, Breath, Reactive, and Rainbow.
- Two quick short presses of the Mode/Light Show Button will toggle the lights ON and OFF.

### USING A USB DRIVE

For best performance, use a high speed 3.1 USB drive (not included) when recording audio from this unit.

Note: Using a lower speed USB drive may cause skipping or poor performance of the Bluetooth audio stream. Sometimes skipping in recorded music may occur, depending on the online streaming speed of your phone.

### TOP OF UNIT

USB Port (for USB Mode)  
 ON/OFF Switch  
 USB 5V Charging Port  
 MIC 1  
 MIC 2

### USING THE MICROPHONE

- Connect the microphone to Mic Jack 1 or 2 on the top of the unit.
- Slide the Microphone Switch ON to amplify your voice when you sing.
- To toggle Echo effect off and on, press and hold BOTH "Next Track" and "Previous Track" buttons for 3 seconds. A voice prompt will confirm "Echo Off" or "Echo On."

### NAVIGATING TRACKS/ADJUSTING VOLUME

- Short press Next Track/Previous Track Buttons to navigate tracks.
- Press and hold Next Track or Previous Track to increase or decrease volume. Release to set current volume.

## FCC Information

FCC ID: EMO555A  
 IC: 986B-555A  
 HVIN: XX-555a

This device complies with Part 15 of the FCC rules. Operation is subject to the following two conditions: (1) this device may not cause harmful interference, and (2) this device must accept any interference received, including interference that may cause undesired operation.

**NOTE:** This equipment has been tested and found to comply with the limits for a Class B digital device, pursuant to Part 15 of the FCC rules. These limits are designed to provide reasonable protection against harmful interference in a residential installation. This equipment generates, uses, and can radiate radio frequency energy and, if not installed and used in accordance with the instructions, may cause harmful interference to radio communications. However, there is no guarantee that interference will not occur in a particular installation. If this equipment does cause harmful interference to radio or television reception, which can be determined by turning the equipment off and on, the user is encouraged to try to correct the interference by one or more of the following measures:

- Reorient or relocate the receiving antenna.
- Increase the separation between the equipment and receiver.
- Connect the equipment into an outlet on a circuit different from that to which the receiver is connected.
- Consult the dealer or an experienced radio/TV technician for help.

**WARNING:** Changes or modifications to this unit not expressly approved by the party responsible for compliance could void the user's authority to operate the equipment.

**RF Exposure**  
 This equipment complies with FCC radiation exposure limits set forth for an uncontrolled environment. This transmitter must not be co-located or operating in conjunction with any other antenna or transmitter.

CAN ICES-3 (B)/NMB-3(B)

**Internal Rechargeable Lithium-ion Battery**  
 This device uses an internal rechargeable lithium-ion battery that should last the lifetime of the device. If you suspect your battery may be dead, try charging it several times. If problems persist, please do not attempt to repair unit; see warranty for factory service.

**CAUTION**  
 The battery used in this device may present a risk of fire, explosion or chemical burn if mistreated. Never use or charge the battery if it appears to be leaking, discolored, deformed, or in any way abnormal. Never disassemble the unit or attempt to remove battery as that could cause leakage of alkaline solution or other electrolytic substance. Always confirm that the temperature is 5°C – 35°C (41° - 95° Fahrenheit) before you charge the battery. Leakage or deterioration of the battery may occur if this warning is not heeded.

- Never expose the battery to any liquid.
- Never expose the battery to excessive heat such as direct sunlight or fire. Never use the battery pack in an unventilated vehicle where excessive internal temperatures may be encountered.
- Always keep the battery out of the reach of infants and small children.

**WARNING/DISPOSAL OF UNIT**  
 Please do NOT attempt to change the battery yourself. Doing so may damage the unit and will void your warranty.

- Never dispose of used batteries/electronics with ordinary solid wastes, since they may contain toxic substances.
- Always dispose of used batteries/electronics in accordance with the prevailing community regulations. Many electronics retailers now recycle batteries and other electronic components at no charge. To find a drop-off location near you, visit [www.call2recycle.com](http://www.call2recycle.com)

## Limited One-Year Warranty

eKids, LLC warrants this product to be free from defects in workmanship and materials, under normal use and conditions, for a period of one (1) year from the date of original purchase.

Should this product fail to function in a satisfactory manner, it is best to first return it to the store where it was originally purchased. Should this fail to resolve the matter and service still be required by reason of any defect or malfunction during the warranty period, eKids will repair or, at its discretion, replace this product without charge. This decision is subject to verification of the defect or malfunction upon delivery of this product to the Factory Service Center authorized by Customer Service. If service is required, please contact Customer Service at [ekids.com/support](http://ekids.com/support) to obtain a Return Authorization Number and shipping instructions. A copy of the sales receipt is required to validate in-warranty coverage.

**Disclaimer of Warranty**  
 NOTE: This warranty is valid only if the product is used for the purpose for which it was designed. It does not cover (i) products which have been damaged by negligence or willful actions, misuse or accident, or which have been modified or repaired by unauthorized persons; (ii) cracked or broken cabinets, or units damaged by excessive heat; (iii) damage to digital media players, CD's or tape cassettes (if applicable); (iv) the cost of shipping this product to the Factory Service Center and its return to the owner.

This warranty is valid only in the United States of America and does not extend to owners of the product other than to the original purchaser. In no event will eKids or any of its affiliates, contractors, resellers, their officers, directors, shareholders, members or agents be liable to you or any third party for any consequential or incidental damages, any lost profits, actual, exemplary or punitive damages. (Some states do not allow limitations on implied warranties or exclusion of consequential damages, so these restrictions may not apply to you.) This warranty gives you specific legal rights, and you may also have other rights which vary from state to state.

Your acknowledgment and agreement to fully and completely abide by the above mentioned disclaimer of warranty is contractually binding to you upon your transfer of currency (money order, cashier's check, or credit card) for purchase of your eKids products.

© 2022 eKids, LLC  
 Questions? Visit [www.ekids.com](http://www.ekids.com)

Model: 555 Series

## Bluetooth MP3 Karaoke with Light Show

BC

## Getting Started

There are two ways to listen to music with this unit:

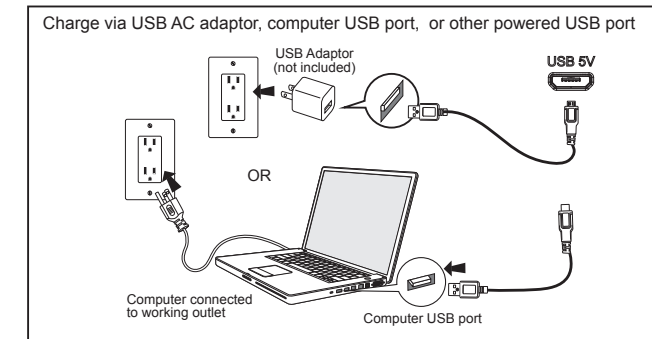
- In USB Mode you can connect a flash drive (not included) to the unit and listen to your stored songs.
- In Bluetooth Mode you can stream music from your smartphone or other Bluetooth device.

Note: When using USB Mode, this unit is compatible with .mp3 and .wav files ONLY.

**THIS UNIT SHIPS IN DEMO MODE FOR IN-STORE DEMONSTRATION PURPOSES. SLIDE THE ON/OFF SWITCH TO OFF AND THEN BACK ON AGAIN TO EXIT DEMO MODE.**

## Charging The Unit

- Connect the included micro USB cord to the micro USB charging port on the top of the unit.
- Connect the standard USB plug end of the cord to a power USB port on a computer or other USB charging device. For first time use, charge unit for about 5 hours.
- A low battery tone will sound to indicate it is time to charge the unit.



## Using USB Mode

Make sure the Mode is set to USB (use the Mode Button). A voice prompt will confirm when USB Mode is active.

- Connect a USB flash drive to the USB port on the top of the unit.
- Press Play, then use the "Next Track" and "Previous Track" buttons to navigate files on the USB drive.
- After pressing "Play", the automatic play-all function will activate, and songs will play in the order they were stored.

## Using Bluetooth Mode

- Select Bluetooth mode using the Mode Button. A voice prompt will confirm the unit is in Bluetooth mode.
- Turn on your Bluetooth device and enable Bluetooth mode (check in Options or Settings). The unit will automatically enter pairing mode.
- Using your Bluetooth device, select the Bluetooth pairing name for your product: "Karaoke 555"
- A tone will sound to confirm once your device is paired. Put your Bluetooth device in play mode to play audio.
- Use the "Next Track", "Previous Track" and "Play/Pause" buttons on the unit to navigate tracks.
- To manually pair your device, press and hold the Play/Pause Button on the front of the unit for 2-3 seconds.
- To reset Bluetooth settings, press and hold the Play/Pause Button for 10 seconds. A tone will sound to confirm Bluetooth is reset.

## Recording Audio (In BT Mode Only)

- Record audio from Bluetooth mode and the microphone input, and the file will save to your USB flash drive.
  - Make sure the Mode is set to "Bluetooth", and that a flash drive is connected to the USB port.
  - When you are ready to perform, press the Record Button to begin recording from Bluetooth and the microphone.
  - Short press the Record Button to stop recording.
  - Press the Play/Pause Button to pause recording, and press again to continue recording the same file.
  - Switch to USB Mode to listen to your recording!
- Note: The unit will automatically stop recording when USB flash drive is full.

## Troubleshooting

If the unit does not respond:

- Make sure unit is completely charged.
- To re-pair your device, press and hold the Play/Pause Button for 2-3 seconds, then select "Karaoke 555" on your Bluetooth device. Be sure to remove any previous instance of "Karaoke 555" from "My Devices" setting screen on your Bluetooth device if present.

Note: The rechargeable battery can be replaced only by eKids Consumer Repair Department.

## Maintenance

- It is important to keep the unit as dry and clean as possible. You may clean the cabinet with a cloth or sponge moistened with mild soap and water. Do not attempt to use strong cleansers or solvents, as they may cause damage.
- Battery chargers used with the device are to be regularly examined for damage to the cord, plug, enclosure and other parts, and in the event of such damage, they must not be used until the damage has been repaired.

## Questions or Comments

- For questions or comments regarding this or other eKids products, please visit our website: [www.ekids.com](http://www.ekids.com)