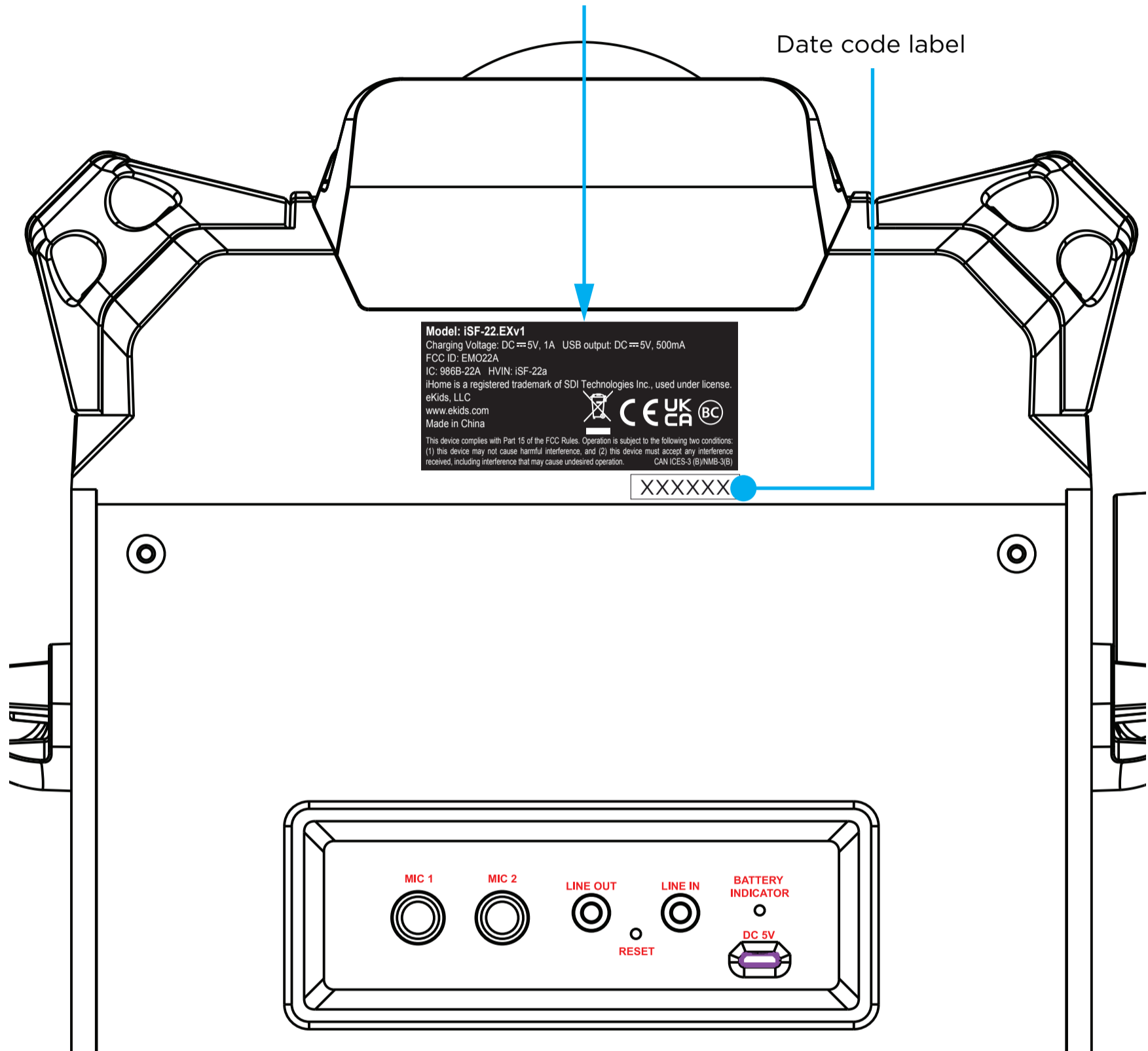


iSF-22.EXv1 Model label





Nov. 17, 21.

Model label
Size: 64 x 30 mm

Date code label



Model: iSF-22.EXv1
Charging Voltage: DC=5V, 1A USB output: DC=5V, 500mA
FCC ID: EMO22A
IC: 986B-22A HVIN: iSF-22a
iHome is a registered trademark of SDI Technologies Inc., used under license.
eKids, LLC
www.ekids.com
Made in China

This device complies with Part 15 of the FCC Rules. Operation is subject to the following two conditions:
(1) this device may not cause harmful interference, and (2) this device must accept any interference received, including interference that may cause undesired operation. CAN ICES-3 (B)/NMB-3(B)

XXXXXX

