

FCC Information

FCC ID: EMO22
IC: 986B-22

This device complies with Part 15 of the FCC Rules. Operation is subject to the following two conditions:
(1) this device may not cause harmful interference, and
(2) this device must accept any interference received, including interference that may cause undesired operation.

NOTE: This equipment has been tested and found to comply with the limits for a Class B digital device, pursuant to Part 15 of the FCC rules. These limits are designed to provide reasonable protection against harmful interference in a residential installation. This equipment generates, uses, and can radiate radio frequency energy and, if not installed and used in accordance with the instructions, may cause harmful interference to radio communications. However, there is no guarantee that interference will not occur in a particular installation. If this equipment does cause harmful interference to radio or television reception, which can be determined by turning the equipment off and on, the user is encouraged to try to correct the interference by one or more of the following measures:

- Reorient or relocate the receiving antenna.
- Increase the separation between the equipment and receiver.
- Connect the equipment into an outlet on a circuit different from that to which the receiver is connected.
- Consult the dealer or an experienced radio/TV technician for help.

WARNING: Changes or modifications to this unit not expressly approved by the party responsible for compliance could void the user's authority to operate the equipment. This equipment should be installed and operated with a minimum distance of 20 centimeters between the radiator and your body.
CAN ICES-3 (B)/NMB-3(B)

FCC Radiation Exposure Statement

This device complies with FCC radiation exposure limits set forth for an uncontrolled environment and it also complies with Part 15 of the FCC RF Rules. This equipment must not be co-located or operating in conjunction with any other antenna or transmitter. End-users and installers must be provided with antenna installation instructions and consider removing the no-collocation statement.

IC Statement

This device contains licence-exempt transmitter(s)/receiver(s) that comply with Innovation, Science and Economic Development Canada's licence-exempt RSS(s). Operation is subject to the following two conditions:

- (1) This device may not cause interference.
 - (2) This device must accept any interference, including interference that may cause undesired operation of the device.
- L'émetteur/récepteur exempt de licence contenu dans le présent appareil est conforme aux CNR d'innovation, Sciences et Développement économique Canada applicables aux appareils radio exempts de licence. L'exploitation est autorisée aux deux conditions suivantes :**

- (1) L'appareil ne doit pas produire de brouillage;
 - (2) L'appareil doit accepter tout brouillage radioélectrique subi, même si le brouillage est susceptible d'en compromettre le fonctionnement.
- This equipment complies with IC RSS-102 radiation exposure limits set forth for an uncontrolled environment.

Cet équipement est conforme aux limites d'exposition aux radiations IC CNR-102 établies pour un environnement non contrôlé.

This equipment should be installed and operated with a minimum distance of 20 cm between the radiator and your body

Cet équipement doit être installé et utilisé avec une distance minimale de 20 cm entre le radiateur et votre corps.

Battery Use Cautions & Tips

For Safety & Best Performance (Proper use and care of product)

- Only use the recommended/supplied batteries or equivalent.
- Recharge rechargeable batteries under adult supervision.
- Do not attempt to recharge non-rechargeable batteries.
- Do not open batteries or heat them beyond normal ambient temperatures.
- To prevent battery leakage or damage remove batteries from a product if it will not be used for a month or longer.
- Use extreme caution handling leaking batteries (avoid direct contact with eyes and skin). If battery leakage comes in contact with eyes, IMMEDIATELY flush the eye with lukewarm and gently flowing water for at least 30 minutes. If skin contact occurs, wash skin with clear water for at least 15 minutes. Seek medical attention if any symptoms occur.
- Store in cool, dry, ventilated area away from hazardous or combustible material.
- Do not dispose of batteries in the household trash or fire.
- Follow applicable laws and local regulations for the disposal and transportation of batteries.

Parents: Examine your unit periodically for conditions that may result in the risk of fire, electric shock, or injury to persons and that, in an event such conditions, the product should not be used until properly repaired.

IMPORTANT SAFETY INSTRUCTIONS

- Please heed all warning, read and follow all instructions and keep these instructions handy for future reference.
- Do not use this product near water.
- Do not block any ventilation openings. Install in accordance with the manufacturer's instructions.
- Heat – This product should be situated away from heat sources such as radiators, heat registers, stoves or other appliances (including amplifiers) that produce heat.
- Only use attachments/accessories specified by the manufacturer."
- Unplug this product during lightning storms or when unused for long periods of time.
- Damage Requiring Service – This product should be serviced by qualified service personnel when:
 - The unit has been exposed to rain.
 - objects have fallen into or liquid has been spilled into the enclosure.
 - the unit has been dropped or the enclosure damaged.
 - the unit exhibits a marked change in performance or does not operate normally
- Attention should be drawn to the environmental aspects of battery disposal"
- No naked flame sources, such as lighted candles, should be placed on this product.
- This product is suitable for use in tropical and/or moderate climates.
- WARNING: To reduce the risk of fire or electric shock, do not expose this product to rain or moisture.
- Adult assembly is required.
- CAUTION – Danger of explosion if battery is incorrectly replaced. Replace only with the same or equivalent type.

Limited One Year Warranty

eKids warrants this product to be free from defects in workmanship and materials, under normal use and conditions, for a period of one (1) year from the date of original purchase. Should this product fail to function in a satisfactory manner, it is best to first return it to the store where it was originally purchased. Should this fail to resolve the matter and service still be required by reason of any defect or malfunction during the warranty period, eKids will repair or, at its discretion, replace this product without charge. This decision is subject to verification of the defect or malfunction upon delivery of this product to the Factory Service Center authorized by Customer Service. If service is required, please call Customer Service at 1-800-288-2792 to obtain a Return Authorization Number and shipping instructions. A copy of the sales receipt is required to validate in-warranty coverage.

Disclaimer of Warranty

NOTE: This warranty is valid only if the product is used for the purpose for which it was designed. It does not cover (i) products which have been damaged by negligence or willful actions, misuse or accident, or which have been modified or repaired by unauthorized persons; (ii) cracked or broken cabinets, or units damaged by excessive heat; (iii) damage to digital media players, CD's or tape cassettes (if applicable); (iv) the cost of shipping this product to the Factory Service Center and its return to the owner.

This warranty is valid only in the United States of America and does not extend to owners of the product other than to the original purchaser. In no event will eKids or any of its affiliates, contractors, resellers, their officers, directors, shareholders, members or agents be liable to you or any third party for any consequential or incidental damages, any lost profits, actual, exemplary or punitive damages. (Some states do not allow limitations on implied warranties or exclusion of consequential damages, so these restrictions may not apply to you.) This warranty gives you specific legal rights, and you may also have other rights which vary from state to state.

Your acknowledgement and agreement to fully and completely abide by the above mentioned disclaimer of warranty is contractually binding to you upon your transfer of currency (money order, cashier's check, or credit card) for purchase of your eKids product.

© 2019 eKids LLC.
Questions? Visit www.ekids.com
or call 1-800-288-2792
1299 Main Street Rahway NJ 07065

Printed in China

iSF22_IB_061119-A

iHome

Model: iSF-22

Bluetooth Karaoke with Party Lights



CHARGE BEFORE USE

Important Message to Customers

Thank you for purchasing one of our top-quality electronic products. Please take a moment to read through these instructions to help you understand the safe and proper way to use this toy to extend its usability.

Keep these instructions for future reference as they contain important information.

Getting Started

There are three ways to listen to music with this unit:

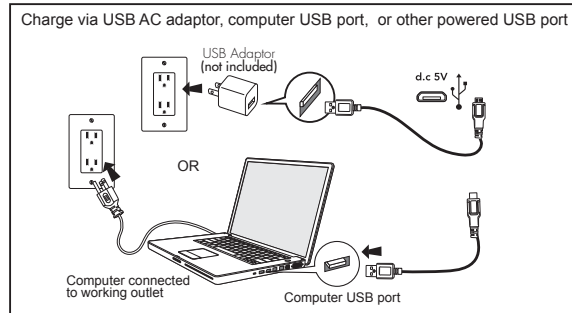
- In USB Mode you can connect a flash drive to the unit and listen to your stored songs.
- In AUX Mode you can connect any audio device using a 3.5mm audio cable (not included).
- In Bluetooth Mode you can stream music from your smartphone or other Bluetooth device.

Note: After 15 minutes of no audio activity, the unit will time out. Press the Power ON/OFF button to resume audio function.

Charging The Unit

1. Connect the included micro USB cord to the micro USB charging port on the back of the unit.
2. Connect the standard USB plug end of the cord to a power USB port on a computer or other USB charging device. For first time use, charge unit for about 5 hours.

Note: The Battery LED on the back of the unit will glow when it is time to charge the unit, and will shut off when fully charged.



Using USB Mode

Use the Mode Selector to set the unit to USB Mode.

- Connect a USB flash drive to the USB port on the front of the unit. (USB Mode is compatible with .mp3 and .wav files only.)
- Press the Power Button to turn the unit ON.
- When a USB drive is detected, the number of files on the USB drive will appear on the LCD display.
- Press Play, then press the "Folder+" Button to advance through the files on the USB drive. If you have a large amount of files saved, press the "10+" Button to advance through 10 folders at a time.

Repeat Button (Works only in USB Mode):

- Press the Repeat Button to repeat the current track.
- Press again to repeat all tracks within a folder.
- Press a third time to repeat all songs on the flash drive.
- Press a fourth time to turn the Repeat function OFF.

Using AUX Mode

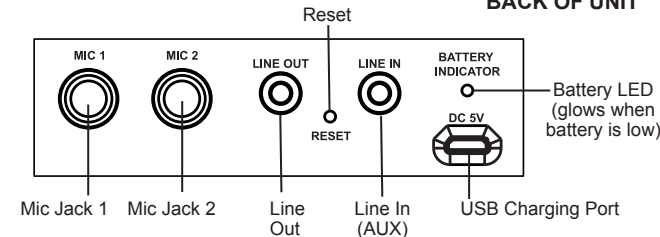
- Use the Mode Selector to set the unit to AUX Mode.
- Connect one end of a 3.5mm audio cable (not included) to the Line-In Jack on the back of the unit.
- Connect the other end of the audio cable to the headphone jack of any audio device.
- Use the controls on your audio device to navigate tracks and play/pause audio.

USING THE MICROPHONE

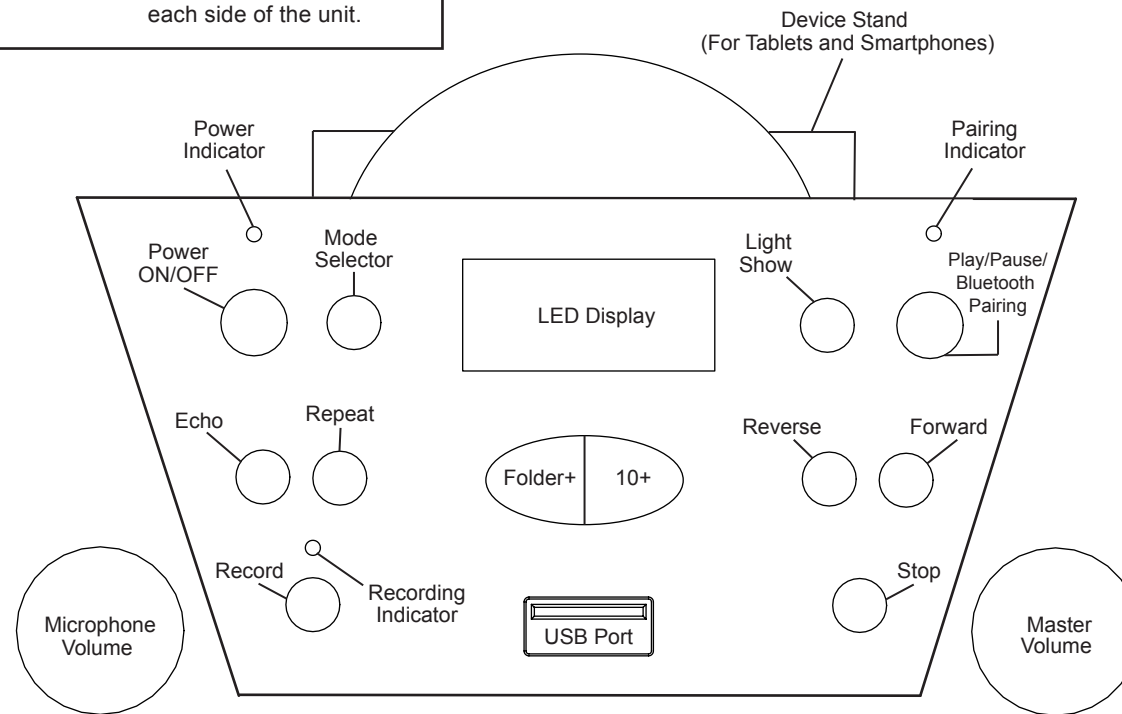


- Connect the microphone to the Mic Jack on the back of the unit.
- Slide the Microphone ON/OFF switch to the ON position.
- Control mic volume using the rotary dial on the front of the unit.
- When not in use, store the microphone in the clips on each side of the unit.

BACK OF UNIT



Device Stand
(For Tablets and Smartphones)



Light Modes

By default, the unit will display a repeating light pattern when no music is playing. When music plays, the unit will activate "beat detection", and lights will pulse along to music.

- Press the Light Show Button to play repeating Light pattern
- Press again to turn light off
- Press again to return to default setting

Echo Modes

Press the Echo Button for cool vocal effects! Press repeatedly to cycle through 8 different echo modes as you sing through the microphone.

Using Bluetooth Mode

- Use the Mode Selector to set the unit to 'bt' Mode.
- Turn on your Bluetooth device and make it "discoverable" by turning on Bluetooth mode (check in Options or Settings).
- "Karaoke 22" should appear in your device's Bluetooth menu. If "Not Connected" or a similar message appears, select "Karaoke 22" to connect it.
- The Bluetooth indicator will glow solid once connected. Put your Bluetooth device in play mode to begin streaming music.
- Use the "Forward" "Reverse" and "Play/Pause" buttons on the unit to navigate tracks.
- Pairing automatically occurs in Bluetooth mode. If no device is connected within 3 minutes, pairing mode will time out. Press and hold the Play/Pause/Bluetooth Pairing button to re-pair a device.

Recording to the USB Drive

Record your performance and save it to a USB flash drive! (Note: you can record in Bluetooth or AUX modes only).

Recording Audio in Bluetooth Mode or AUX Mode:

- To start, use the Mode Selector to set the unit to either Bluetooth Mode or AUX Mode.
- Plug a USB flash drive into the USB port on the front of the unit.
- Make sure the microphone is connected to the unit and the Microphone ON/OFF Switch is turned ON.
- Select a song from your audio device, and press Play.
- Press the Record Button. The Recording Indicator will glow to confirm the unit is recording audio. Sing into the microphone to record your voice over the music.
- When you finish your performance, press the Record Button again to stop recording. The audio will be saved to your USB flash drive.

Listening to Recordings:

- Use the Mode Selector to set the unit to USB Mode.
- Use the Forward, Reverse, Folder+ or 10+ Buttons to navigate through files on your connected USB flash drive, then press Play to listen!

Sharing Recordings:

- Remove the USB flash drive from the unit and connect to a computer to share your performances!

Troubleshooting

If the unit does not respond:

- Make sure unit is completely charged.
- To re-pair your device, press and hold the Play/Pause/Bluetooth Pairing Button.
- In the event of interrupted operation, use the extended tip of a paper clip or other thin tool to press in the Reset Button on the back of the unit.

Maintenance

- It is important to keep the unit as dry and clean as possible. You may clean the cabinet with a cloth or sponge moistened with mild soap and water. Do not attempt to use strong cleansers or solvents, as they may cause damage.
- Battery chargers used with the toy are to be regularly examined for damage to the cord, plug, enclosure and other parts. In the event of such damage, do not use until the damage has been repaired.

Questions or Comments

- For questions or comments regarding this or other eKids products, please call our toll-free number: **1-800-288-2792**. Also visit our website: www.ekids.com
- If problems persist, please do not attempt to repair unit; see warranty for factory service.**