

FCC TEST REPORT

for

PART 15, SUBPART B CLASS B

Equipment : FLATBED SCANNER

MODEL NO. : FB612D/FB613D/FB614D/FB615D/FB616D

F C C I D : EMJS00001

Filing Type : Original Grant

APPLICANT : PRIMAX ELECTRONICS LTD.

6F, No. 159, Kang Ning St., Hsi Chih Town,
Taipei Hsien, Taiwan, R.O.C.

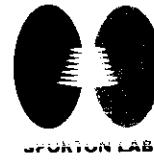
- The test result refers exclusively to the test presented test model / sample.
- Without the written authorization of the test lab., the Test Report may not be copied.

SPORTON INTERNATIONAL INC.

6F, No. 106, Hsin Tai Wu Rd., Sec. 1, Hsi Chih, Taipei Hsien, Taiwan, R.O.C.

TABLE OF CONTENT

SECTION TITLE	PAGE
CERTIFICATE OF COMPLIANCE	3
1. GENERAL DESCRIPTION OF EQUIPMENT UNDER TEST	4
1.1. APPLICANT.....	4
1.2. MANUFACTURER.....	4
1.3. BASIC DESCRIPTION OF EQUIPMENT UNDER TEST.....	4
1.4. FEATURE OF EQUIPMENT UNDER TEST.....	4
2. TEST CONFIGURATION OF EQUIPMENT UNDER TEST	5
2.1. TEST MANNER.....	5
2.2. DESCRIPTION OF TEST SYSTEM.....	5
2.3. CONNECTION DIAGRAM OF TEST SYSTEM.....	7
3. TEST SOFTWARE	8
4. GENERAL INFORMATION OF TEST	9
4.1. TEST FACILITY.....	9
4.2. STANDARD FOR METHODS OF MEASUREMENT.....	9
4.3. TEST IN COMPLIANCE WITH.....	9
4.4. FREQUENCY RANGE INVESTIGATED.....	9
4.5. TEST DISTANCE.....	9
5. TEST OF CONDUCTED POWERLINE	10
5.1. MAJOR MEASURING INSTRUMENTS.....	10
5.2. TEST PROCEDURES.....	11
5.3. TYPICAL TEST SETUP LAYOUT OF CONDUCTED POWERLINE.....	12
5.4. TEST RESULT OF AC POWERLINE CONDUCTED EMISSION.....	13
5.5. PHOTOGRAPHS OF CONDUCTED POWERLINE TEST CONFIGURATION.....	14
6. TEST OF RADIATED EMISSION	16
6.1. MAJOR MEASURING INSTRUMENTS.....	16
6.2. TEST PROCEDURES.....	17
6.3. TYPICAL TEST SETUP LAYOUT OF RADIATED EMISSION.....	18
6.4. TEST RESULT OF RADIATED EMISSION.....	19
6.5. PHOTOGRAPHS OF RADIATED EMISSION TEST CONFIGURATION.....	20
7. ANTENNA FACTOR AND CABLE LOSS	21
8. LIST OF MEASURING INSTRUMENTS USED	22



CERTIFICATE OF COMPLIANCE

for

FCC PART 15, SUBPART B CLASS B

Equipment : FLATBED SCANNER

MODEL NO. : FB612D/FB613D/FB614D/FB615D/FB616D

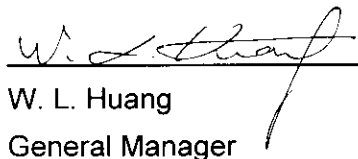
F C C I D : EMJS00001

APPLICANT : PRIMAX ELECTRONICS LTD.

6F, No. 159, Kang Ning St., Hsi Chih Town,
Taipei Hsien, Taiwan, R.O.C.

I HEREBY CERTIFY THAT :

The measurement shown in this report were made in accordance with the procedures given in **ANSI C63.4 -1992** and the energy emitted by this equipment was **passed** both radiated and conducted emissions CLASS B limits. Testing was carried out on MAY. 07, 1998 at **SPORTON International Inc.** in LIN KOU.

 June 04, 98
W. L. Huang
General Manager

SPORTON International Inc.

6F, No. 106, Hsin Tai Wu Rd., Sec. 1, Hsi Chih, Taipei Hsien, Taiwan, R.O.C.

1. GENERAL DESCRIPTION OF EQUIPMENT UNDER TEST

1.1. APPLICANT

PRIMAX ELECTRONICS LTD.

6F, No. 159, Kang Ning St., Hsi Chih Town,
Taipei Hsien, Taiwan, R.O.C.

1.2. MANUFACTURER

Same as 1.1

1.3. BASIC DESCRIPTION OF EQUIPMENT UNDER TEST

EQUIPMENT : FLATBED SCANNER

MODEL NO. : FB612D/FB613D/FB614D/FB615D/FB616D

FCC ID:EMJS00001

TRADE NAME : PRIMAX or STORM

DATA CABLE : Shielded

POWER SUPPLY TYPE : Switching

Remark: A ferrite core is added on the adaptor cable at EUT end.

Two ferrite cores are added on the data cable at two end.

POWER CORD : N/A

1.4. FEATURE OF EQUIPMENT UNDER TEST

- Reading Size: MAX. 216x297mm (A4)
- 8 bit/gray/pixel, 300x600
- 24 bit/color/pixel, 300x600
- Scanning speed 12 ms per line (MAX.)
- Sensor: CCD (charge coupled device)
- Interface: parallel port (EPP/SPP)

2. TEST CONFIGURATION OF EQUIPMENT UNDER TEST

2.1. TEST MANNER

- a. The EUT has been associated with personal computer and peripherals pursuant to ANSI C63.4-1992 and configuration operated in a manner which tended to maximize its emission characteristics in a typical application.
- b. The DELL keyboard, SONY monitor, HP printer, PRIMAX scanner and ACEEX modem were connected to the LEO PC.
- c. The EUT was applied five models, the PCB layout, circuit and components are exactly the same. The only difference is appearance.
- d. The EUT was applied two models of adaptor:
 - 1. BESTEC/BPA-201S-12
 - 2. DVE/DSA-0151A-12
- e. The BESTEC adaptor and DVE adaptor were tested in order to find the maximum emissions. Since the DVE adaptor generates the worst case, the mode was used as the final data.
- f. During the test, the monitor AC power cord was plugged into the PC computer-mounted AC outlet and a floor-mounted AC outlet to search the maximum emission.
- g. Frequency range investigated: Conduction 450 KHz to 30 MHz, Radiation 30 MHz to 1000 MHz.

2.2. DESCRIPTION OF TEST SYSTEM

Support Device 5. --- PERSONAL COMPUTER (LEO)

FCC ID :EUNPA2005
Model No. :PA-2005
Serial No. :SP1037
Data Cable :Shielded, 360 degree via metal backshells.
Power Supply Type :Switching
Power Cord :Non-shielded

Support Device 2. --- MODEM (ACEEX)

FCC ID :IFAXDM1414
Model No. :DM1414
Serial No. :SP0016
Data Cable :Shielded, 360 degree via metal backshells
Power Supply Type :Linear

SPORTON International Inc.

TEL : 886-2-2696-2468

FAX : 886-2-2696-2255

FCC TEST REPORT

REPORT NO. : F850816

Support Device 3. --- PRINTER (HP)

FCC ID : B94C2642X
Model No. : DESKJET 400
Serial No. : SP0003
Data Cable : Shielded, 360 degree via metal backshells
Power Supply Type : Linear

Support Device 4. --- MONITOR (SONY)

FCC ID : AK8GDM17SE2T
Model No. : GDM-17SE27
Serial No. : SP1045
Data Cable : Shielded
Power Supply Type : Switching
Power Cord : Non-shielded

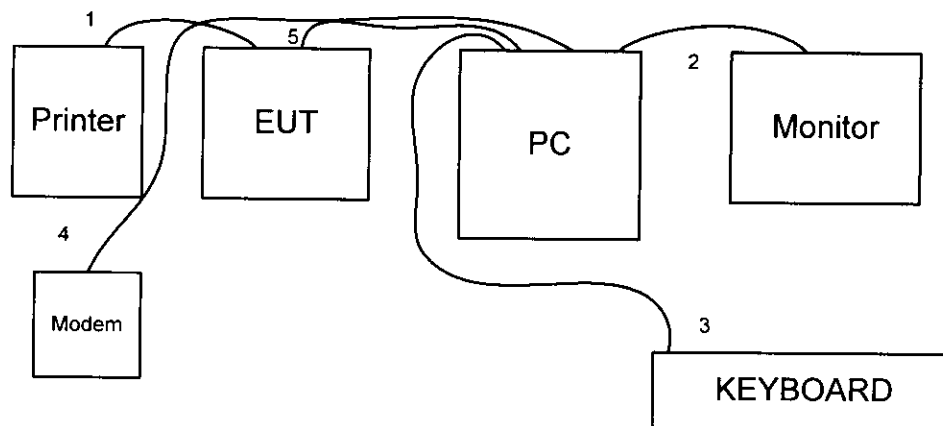
Support Device 5. --- KEYBOARD (DELL)

FCC ID : GYUM92SK
Model No. : AT101
Serial No. : SP1008
Data Cable : Shielded, 360 degree via metal backshells

Support Device 6. --- VGA CARD (BRITEK)

FCC ID : ILLS386XP
Model No. : BTK-076
Serial No. : SP1015
Data Cable : Shielded, 360 degree via metal backshells

2.3. CONNECTION DIAGRAM OF TEST SYSTEM



1. The I/O cable is connected from EUT to the support device 3.
2. The I/O cable is connected to the support device 4.
3. The I/O cable is connected to the support device 5.
4. The I/O cable is connected to the support device 2.
5. The I/O cable is connected to the EUT.

3. TEST SOFTWARE

An executive program, FCC.EXE, which generates a complete line of continuously repeating " H " pattern is used as the test software.

The program was executed as follows :

- a. Turn on the power of all equipment.
- b. The PC reads the test program from the floppy disk drive and runs it.
- c. The PC reads "H" messages from scanner through parallel port.
- d. The PC sends " H " messages to the monitor, and the monitor displays " H " patterns on the screen.
- e. The PC sends " H " messages to the printer, then the printer prints them on the paper.
- f. The PC sends " H " messages to the modem.
- g. The PC sends " H " messages to the internal Hard Disk, then the hard disk reads and writes the message.
- h. Repeat the steps from b to g.

4. GENERAL INFORMATION OF TEST

4.1. TEST FACILITY

This test was carried out by SPORTON INTERNATIONAL INC. in an openarea test site.

Openarea Test Site Location : No. 30-1, Lin 6, Diing-Fwu Tsuen, Lin-Kou-Hsiang,
Taipei Hsien, Taiwan, R.O.C.

TEL : 886-2-2601-1640

FAX : 886-2-2601-1695

4.2. STANDARD FOR METHODS OF MEASUREMENT

ANSI C63.4-1992

4.3 .TEST IN COMPLIANCE WITH

FCC PART 15, SUBPART B CLASS B

4.4. FREQUENCY RANGE INVESTIGATED

a. Conduction : from 450 KHz to 30 MHz

b. Radiation : from 30 MHz to 1000 MHz

4.5. TEST DISTANCE

The test distance of radiated emission from antenna to EUT is 3M.

5. TEST OF CONDUCTED POWERLINE

Conducted Emissions were measured from 450 KHz to 30 MHz with a bandwidth of 9 KHz on the 115 VAC power and return leads of the EUT according to the methods defined in ANSI C63.4-1992 Section 3.1. The EUT was placed on a nonmetallic stand in a shielded room 0.8 meters above the ground plane as shown in Figure 5-3. The interface cables and equipment positioning were varied within limits of reasonable applications to determine the position produced maximum conducted emissions.

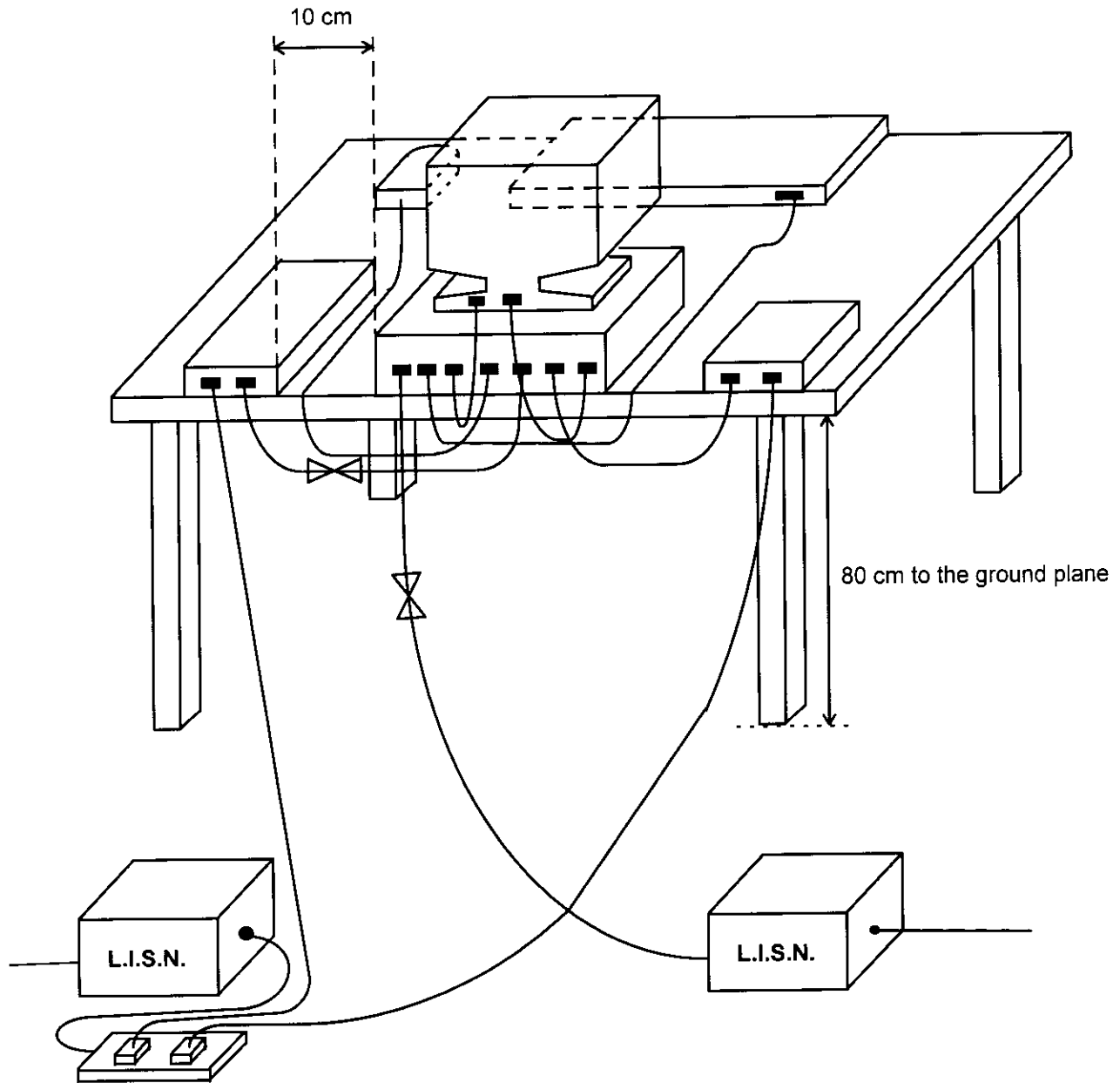
5.1. MAJOR MEASURING INSTRUMENTS

- Test Receiver HP 85462A
 - Attenuation 0 dB
 - Start Frequency 0.45 MHz
 - Stop Frequency 30 MHz
 - Step MHz 0.007 MHz
 - IF Bandwidth 9 KHz

5.2. TEST PROCEDURES

- a. The EUT was placed 0.4 meter from the conducting wall of the shielding room and was kept at least 80 centimeters from any other grounded conducting surface.
- b. Connect EUT to the power mains through a line impedance stabilization network (LISN).
- c. All the support units are connect to the other LISN.
- d. The LISN provides 50 ohm coupling impedance for the measuring instrument.
- e. The FCC states that a 50 ohm , 50 microhenry LISN should be used.
- f. Both sides of AC line were checked for maximum conducted interference.
- g. The frequency range from 450 KHz to 30 MHz was searched.
- h. Set the test-receiver system (HP receiver 85462A) to Peak Detect Function and Specified Bandwidth with Maximum Hold Mode.
- i. If the emission level of the EUT in peak mode was 6 dB lower than the limit specified, then testing will be stopped and peak values of EUT will be reported otherwise the emissions which do not have 6 dB margin will be retested on by one using the quasi-peak method and reported.

5.3. TYPICAL TEST SETUP LAYOUT OF CONDUCTED POWERLINE



5.4. TEST RESULT OF AC POWERLINE CONDUCTED EMISSION

- Frequency Range of Test : from 0.45 MHz to 30 MHz
- Temperature : 23 °C
- Relative Humidity :68% RH
- TEST MODE: DVE ADAPTOR
- All emissions not reported here are more than 10 dB below the prescribed limit.
- Test Date : MAY. 07, 1998

The Conducted Emission test was passed at minimum margin

NEUTRAL 25.99MHz / 45.00dBuV.

Frequency (MHz)	Line / Neutral	Meter Reading		Limits		Margin
		(dBuV)	(uV)	(dBuV)	(uV)	(dB)
2.30	L	40.70	108.39	48.00	251.19	-7.30
8.01	L	36.20	64.57	48.00	251.19	-11.80
20.99	L	41.30	116.14	48.00	251.19	-6.70
25.55	L	44.20	162.18	48.00	251.19	-3.80
25.55	N	44.50	167.88	48.00	251.19	-3.50
25.99	N	45.00	177.83	48.00	251.19	-3.00

Test Engineer :



6. TEST OF RADIATED EMISSION

Radiated emissions from 30 MHz to 1000MHz were measured with a bandwidth of 120 KHz according to the methods defines in ANSI C63.4-1992. The EUT was placed on a nonmetallic stand in the open-field site, 0.8 meter above the ground plane, as shown in Figure 6-3. The interface cables and equipment positions were varied within limits of reasonable applications to determine the positions producing maximum radiated emissions.

6.1. MAJOR MEASURING INSTRUMENTS

- RF Preselector
 - Attenuation 0 dB
 - RF Gain 20 dB
 - Signal Input Input 2 (for 20 MHz to 2 GHz)

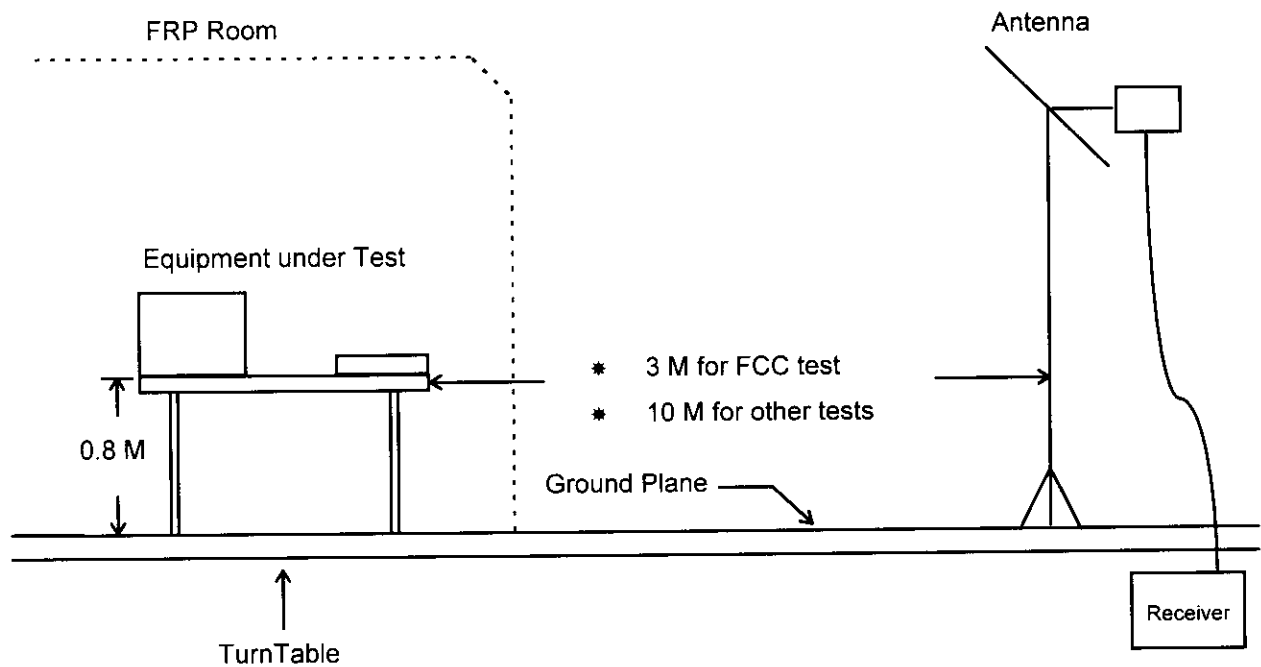
- Spectrum Analyzer 8568B
 - Attenuation 0 dB
 - Start Frequency 30 MHz
 - Stop Frequency 1000MHz
 - Resolution Bandwidth 1 MHz
 - Video Bandwidth 1 MHz
 - Signal Input Input 1 (for 100KHz to 1.5 GHz)

- Quasi-Peak Adapter
 - Resolution Bandwidth 120 KHz
 - Frequency Band 30 MHz to 1 GHz
 - Quasi-Peak Detector ON for Quasi-Peak Mode
OFF for Peak Mode

6.2. TEST PROCEDURES

- a. The EUT was placed on a rotatable table top 0.8 meter above ground.
- b. The EUT was set 3 meters from the interference receiving antenna which was mounted on the top of a variable height antenna tower.
- c. The table was rotated 360 degrees to determine the position of the highest radiation.
- d. The antenna is a half wave dipole and its height is varied between one meter and four meters above ground to find the maximum value of the field strength both horizontal polarization and vertical polarization of the antenna are set to make the measurement.
- e. For each suspected emission the EUT was arranged to its worst case and then tune the antenna tower (from 1 M to 4 M) and turn table (from 0 degree to 360 degrees) to find the maximum reading.
- f. Set the test-receiver system (HP 8568B) to Peak Detect Function and specified bandwidth with Maximum Hold Mode.
- g. If the emission level of the EUT in peak mode was 6 dB lower than the limit specified, then testing will be stopped and peak values of EUT will be reported otherwise the emissions which do not have 6 dB margin will be repeated one by one using the quasi-peak method and reported.

6.3. TYPICAL TEST SETUP LAYOUT OF RADIATED EMISSION



6.4. TEST RESULT OF RADIATED EMISSION

- Equipment meets the technical specifications of 15.109
- Frequency Range of Test : from 30 MHz to 1000 MHz
- Test Distance : 3 M
- Temperature : 23 °C
- Relative Humidity :68% RH
- Test Date :MAY. 08, 1998
- TEST MODE: DVE ADAPTOR
- Emission level (dBuV/m) = 20 log Emission level (uV/m)
- Sample Calculation at 140.50MHz
 Corrected Reading = 11.44+ 1.91+ 22.96= 36.32(dBuV/m)

The Radiated Emission test was passed at minimum margin

Vertical 79.90 MHz / 36.73dBuV

Antenna Height 1.5Meter , Turntable Degree 114°.

Frequency (MHz)	Polarity	Antenna Factor (dB)	Cable Loss (dB)	Reading (dBuV)	Limits (dBuV)	(uV)	Emission Level (dBuV)	(uV)	Margin (dB)
79.90	V	7.08	1.40	28.25	40.00	100	36.73	68.63	-3.27
71.90	H	5.79	1.24	29.53	40.00	100	36.56	67.30	-3.44
177.90	H	12.85	2.28	21.33	43.50	150	36.46	66.53	-7.04
136.50	V	11.18	1.87	23.29	43.50	150	36.34	65.61	-7.16
159.80	V	12.24	2.01	22.08	43.50	150	36.33	65.54	-7.17
140.50	H	11.44	1.91	22.96	43.50	150	36.32	65.46	-7.18

Test Engineer :



7. ANTENNA FACTOR AND CABLE LOSS

Frequency (Mhz)	Antenna Factor (dB)	Cable Loss (dB)
30	-1.91	0.90
35	-0.50	0.92
40	0.61	1.04
45	1.40	1.28
50	2.39	1.10
55	3.54	1.11
60	4.40	1.30
65	4.84	1.40
70	5.59	1.37
75	6.21	1.24
80	7.60	1.51
85	7.73	1.60
90	8.22	1.60
95	8.90	1.70
100	9.36	1.70
110	10.01	1.70
120	10.41	1.90
130	10.84	1.90
140	11.42	1.91
150	11.91	2.01
160	12.25	2.11
170	12.72	2.21
180	13.02	2.30
190	13.50	2.30
200	14.05	2.40
220	15.11	2.50
240	16.81	2.60
260	17.51	2.71
280	17.70	2.90
300	17.89	2.91
320	18.00	3.10
340	18.33	3.20
360	19.44	3.30
380	20.31	3.40
400	21.19	3.50
450	21.10	3.70
500	22.21	4.10
550	23.42	4.30
600	24.01	4.50
650	25.11	4.70
700	26.00	4.90
750	26.41	5.11
800	27.10	5.50
850	27.51	5.60
900	27.90	5.80
950	28.01	5.90
1000	29.00	6.20

※ Remark: For frequency above 1000 MHz, we used low cable loss BNC cable to test.

8. LIST OF MEASURING INSTRUMENTS USED

INSTRUMENT	Manufacturer	Model No.	Serial No.	Characteristic	Calibration date	Remark
Receiver RF Section	HP	85462A	3325A00108	9 KHz - 6.5 GHz	Oct. 22, 1997	C
RF Section	HP	85460A	3308A00104	9 KHz - 6.5 GHz	Oct. 22, 1997	C
LISN	EMCO	3850/2	1035	50 ohm / 50 uH	Oct. 27, 1997	C
LISN	KYORITSU	KNW-407	8-693-10	50 ohm / 50 uH	Oct. 04, 1997	C
EMI Filter	CORCOM	MRI-2030	N/A	480 VAC / 30 A	N/A	C
EMI Filter	CORCOM	MRI-2030	N/A	480 VAC / 30 A	N/A	C
Spectrum Analyzer (Site 1)	HP	8568B	2732A04100	100Hz - 1500GHz	Jun 17, 1997	R
Quasi-peak Adapter (site 1)	HP	85650A	2811A01116	9KHz -1 GHz	Jun. 17, 1997	R
Amplifier (Site 1)	HP	8447D	2944A08291	0.1 MHz -1.3 GHz	Nov. 12, 1997	R
Bilog Antenna (Site 1)	CHASE	CBL6111	1378	30 MHz -1000 MHz	Aug. 11, 1997	R
Half-wave dipole antenna	EMCO	3121C	9705-1285	28M-1GHZ	May. 19, 1998	R
Turn Table (site 1)	EMCO	1060-1.211	9508-1805	0 ~ 360 degree	N/A	R
Antenna Mast (site 1)	EMCO	1051-1.2	9502-1868	1 m- 4 m	N/A	R

※ The column of Remark indicates that the instruments used for conduction ("C") or radiation ("R") test.