
Antenna Gain Test Report

Project No.: /

Client Name: 致伸科技股份有限公司

Client Address: 廣東省東莞市石碣鎮劉屋管理區科技東 135 號

Product Name: mouse

Product Model: HP simmons Dual mode

Manufacture: 致伸科技

Antenna Type: Chip

Antenna Size: /

Project Engineer: James Qin

Test Standards: ANSI/IEEE std 149-2021

Test Date: 2023.12.6

Issued Date: 2023.12.8

UL Verification Services (Guangzhou) Co., Ltd, Song Shan Lake Branch

*This report shall not be reproduced except in full, without the written approval of UL Verification Services (Guangzhou) Co., Ltd,
Song Shan Lake Branch.*

Revision History

Rev.	Issue Date	Revisions	Revised By
V0	2023.12.8	Initial Issue	\

UL Verification Services (Guangzhou) Co., Ltd, Song Shan Lake Branch

*This report shall not be reproduced except in full, without the written approval of UL Verification Services (Guangzhou) Co., Ltd,
Song Shan Lake Branch.*

Contents

1	Test Equipment Information	4
2	Setup block diagram	5
3	Test Temperature and Humidity	6
4	Test Step Flow	7
5	Test Result	8
6	Photo	16

1 Test Equipment Information

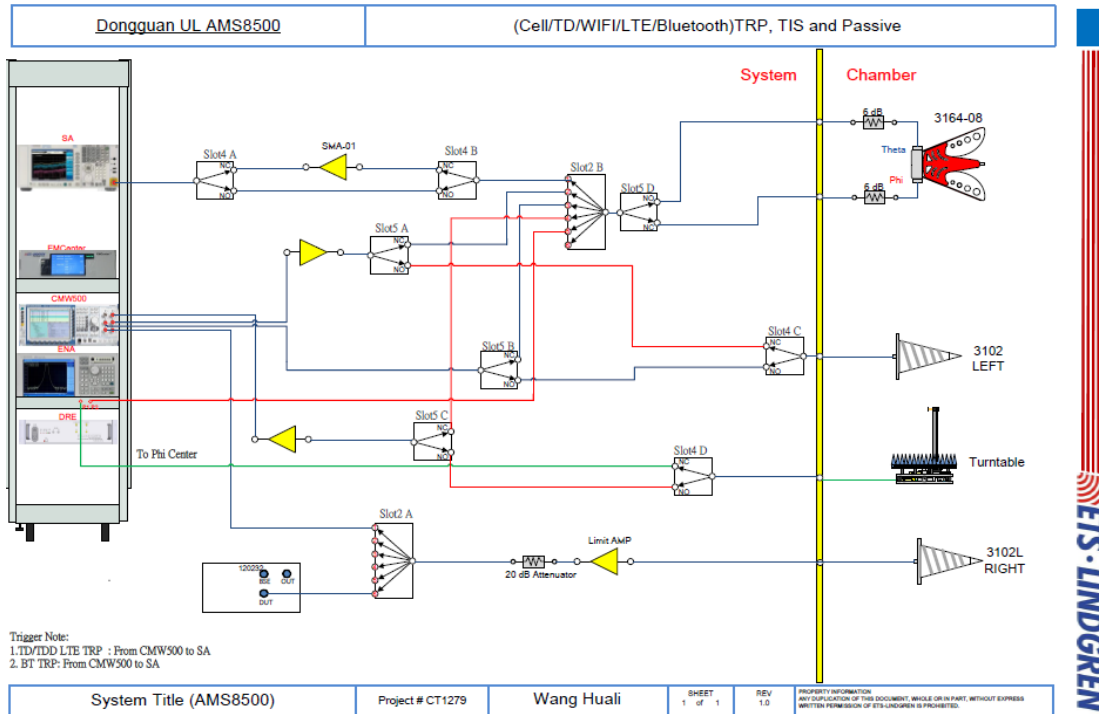
Equipment	Manufacturer	Mode No.	Serial No.	Cal date	Cal Due
Test Chamber	ETS-Lindgren	8500	/	/	/
Test Software	ETS-Lindgren	EMQuest V1.12	1496	/	/
Network Analyzer	Keysight	E5071C	MY46524531	2023.10.12	2024.10.11
EXA Singal Analyzer	Keysight	N9010A	MY55150514	2023.10.12	2024.10.11

UL Verification Services (Guangzhou) Co., Ltd, Song Shan Lake Branch

This report shall not be reproduced except in full, without the written approval of UL Verification Services (Guangzhou) Co., Ltd,

Song Shan Lake Branch.

2 Setup block diagram



UL Verification Services (Guangzhou) Co., Ltd, Song Shan Lake Branch

This report shall not be reproduced except in full, without the written approval of UL Verification Services (Guangzhou) Co., Ltd, Song Shan Lake Branch.

3 Test Temperature and Humidity

Temperature: 22.2°C

Humidity: 61.3%

4 Test Step Flow

- 1) Maintain the test ambient temperature of 23 ± 2 C, the instrument is powered on and preheated for more than 30 minutes;
- 2) Turn on the darkroom power supply, connect the test cable, and set up the sample according to the standard;
- 3) Outline sets the test content objectives and conducts calibration tests;
- 4) Run the software, when the test is completed, export the corresponding test diagram and test data, and save to the corresponding directory.

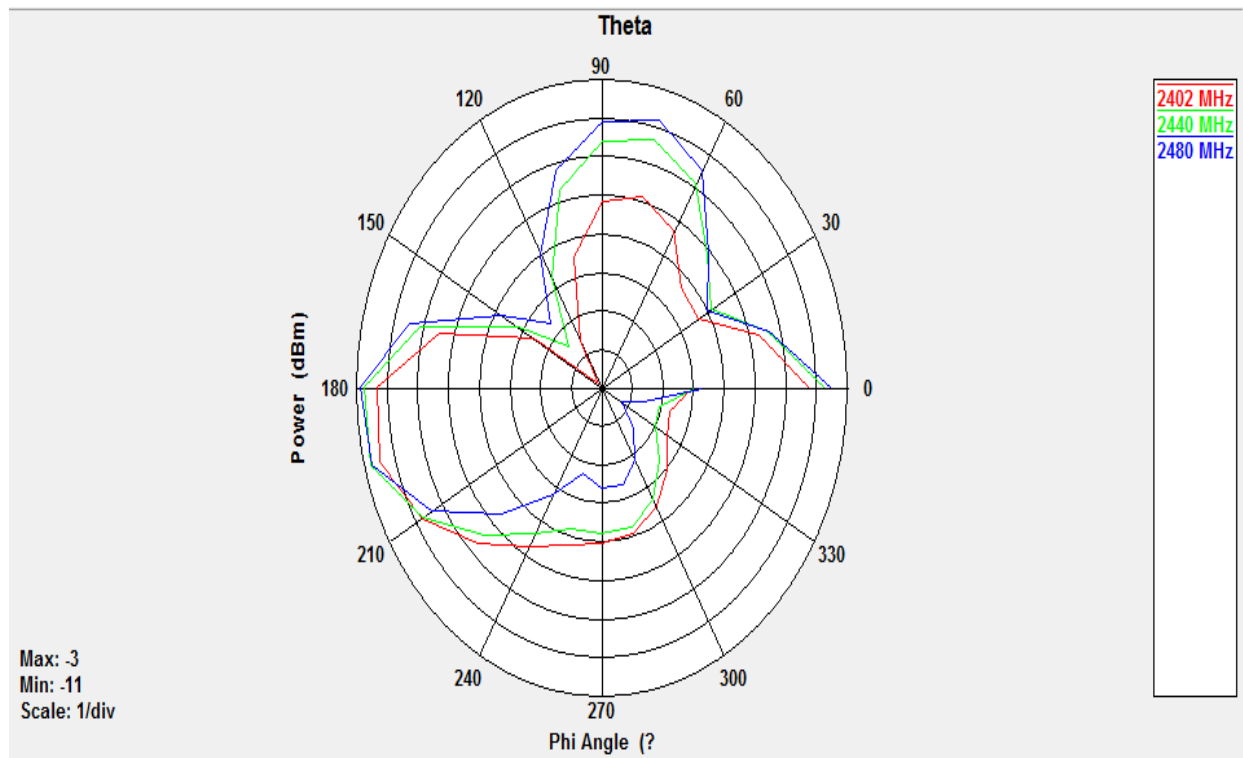
5 Test Result

1#

Frequency (MHz)	Efficiency (%)	Gain (dBi)
2402	44.20	1.37
2440	50.81	1.85
2480	53.36	1.90

Polarization Pattern Photos

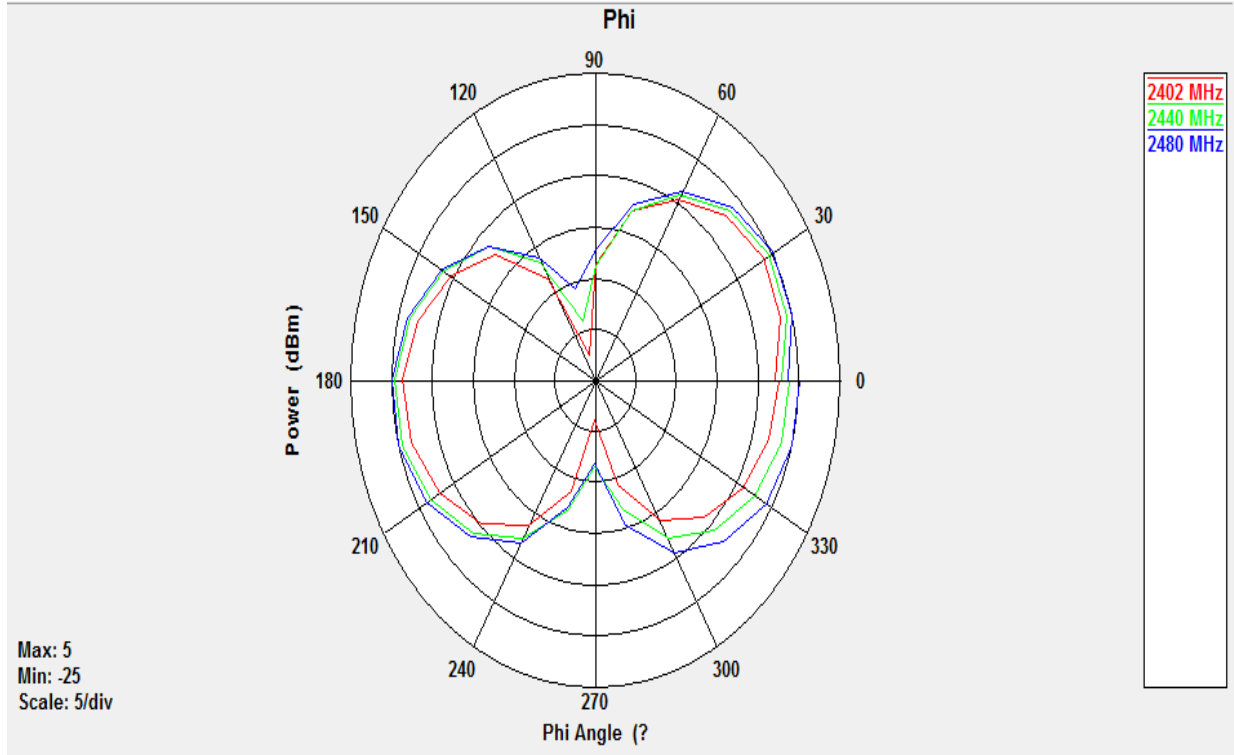
Theta Polarization(Theta Angle=90°)



UL Verification Services (Guangzhou) Co., Ltd, Song Shan Lake Branch

This report shall not be reproduced except in full, without the written approval of UL Verification Services (Guangzhou) Co., Ltd,
Song Shan Lake Branch.

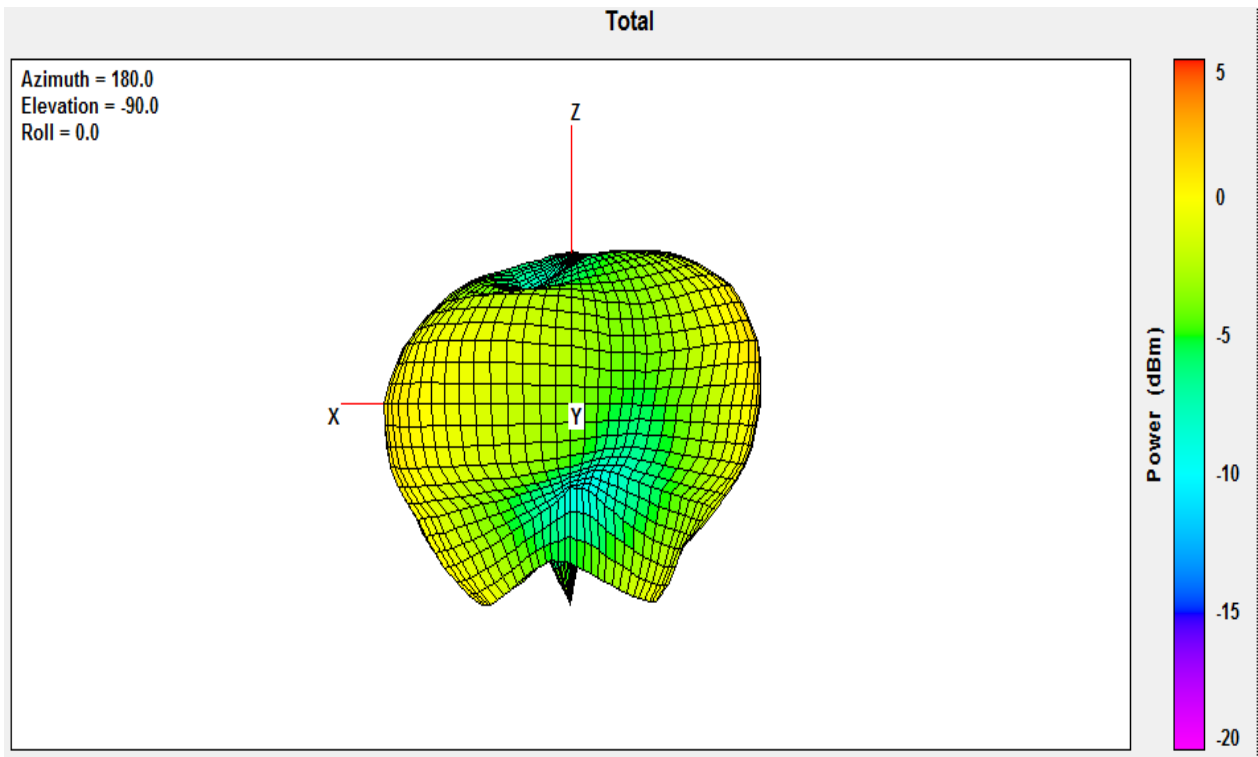
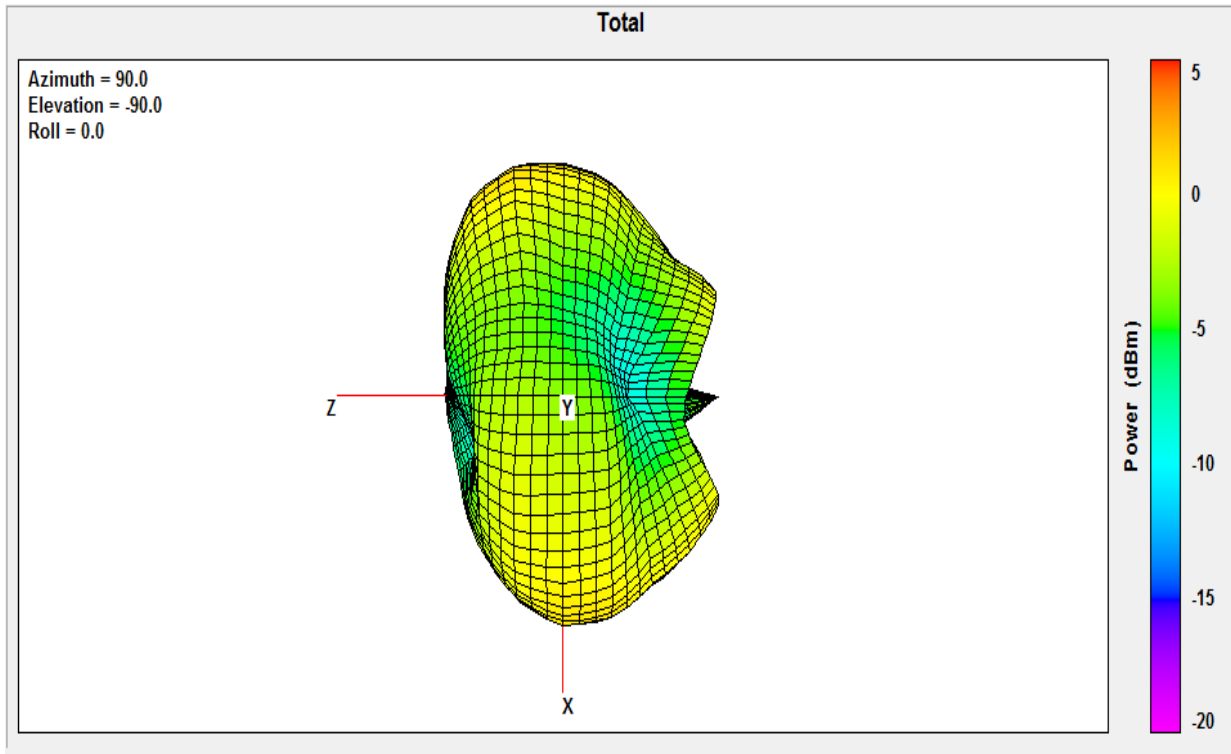
Phi Polarization(Theta Angle=90°)



Total 3D Plot(Fre.2480MHz)

UL Verification Services (Guangzhou) Co., Ltd, Song Shan Lake Branch

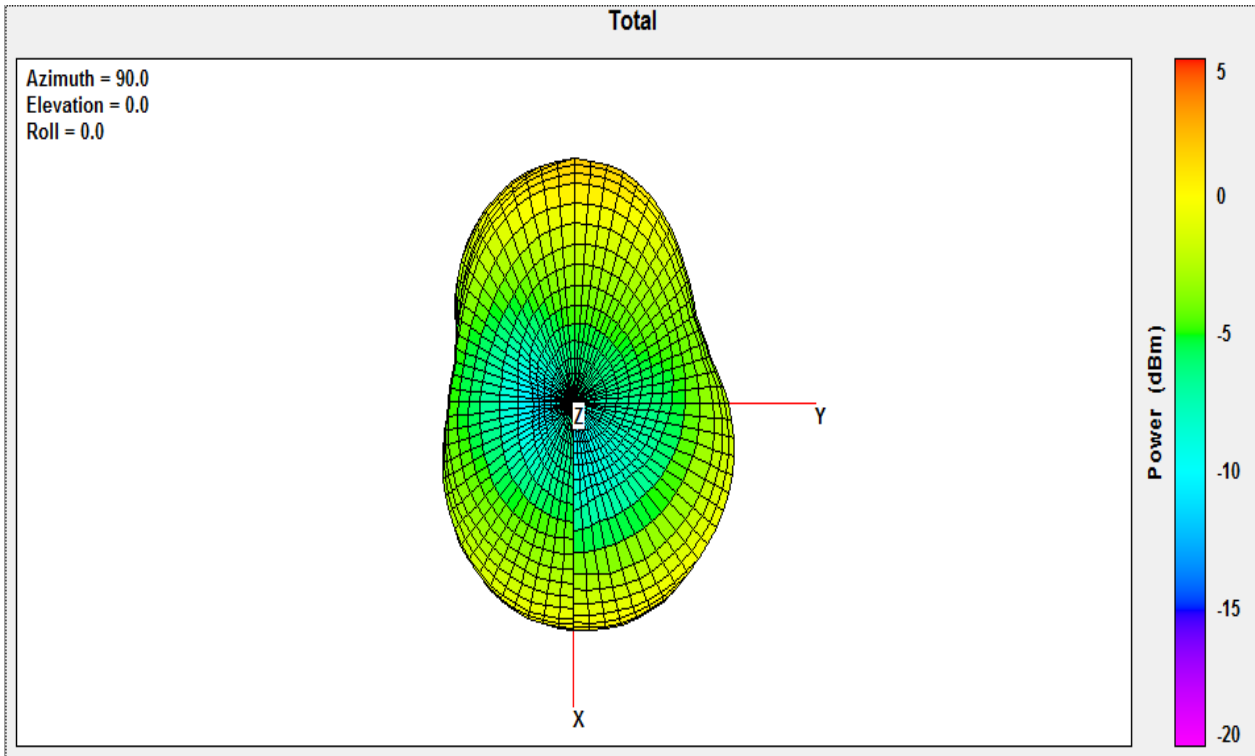
This report shall not be reproduced except in full, without the written approval of UL Verification Services (Guangzhou) Co., Ltd, Song Shan Lake Branch.



UL Verification Services (Guangzhou) Co., Ltd, Song Shan Lake Branch

This report shall not be reproduced except in full, without the written approval of UL Verification Services (Guangzhou) Co., Ltd,

Song Shan Lake Branch.



UL Verification Services (Guangzhou) Co., Ltd, Song Shan Lake Branch

This report shall not be reproduced except in full, without the written approval of UL Verification Services (Guangzhou) Co., Ltd,

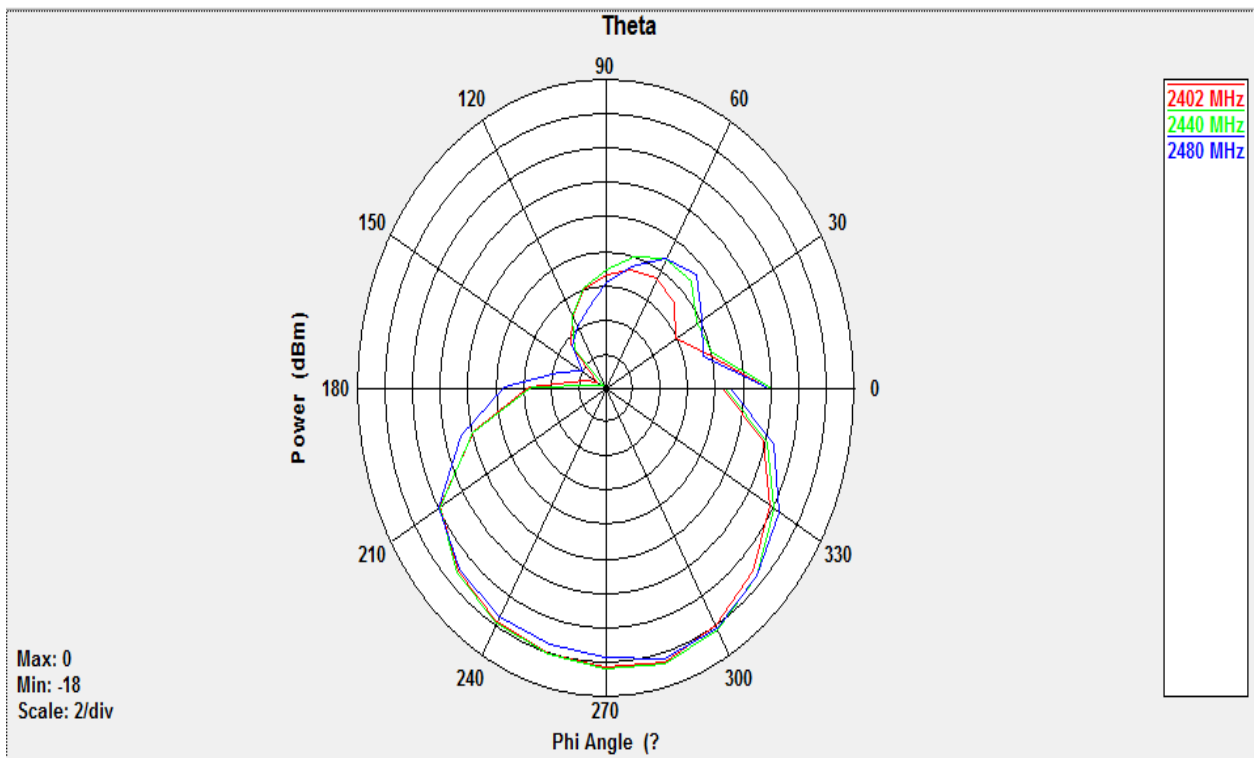
Song Shan Lake Branch.

2#

Frequency (MHz)	Efficiency (%)	Gain (dBi)
2402	52.95	1.73
2440	56.47	1.97
2480	55.74	2.14

Polarization Pattern Photos

Theta Polarization(Theta Angle=90°)

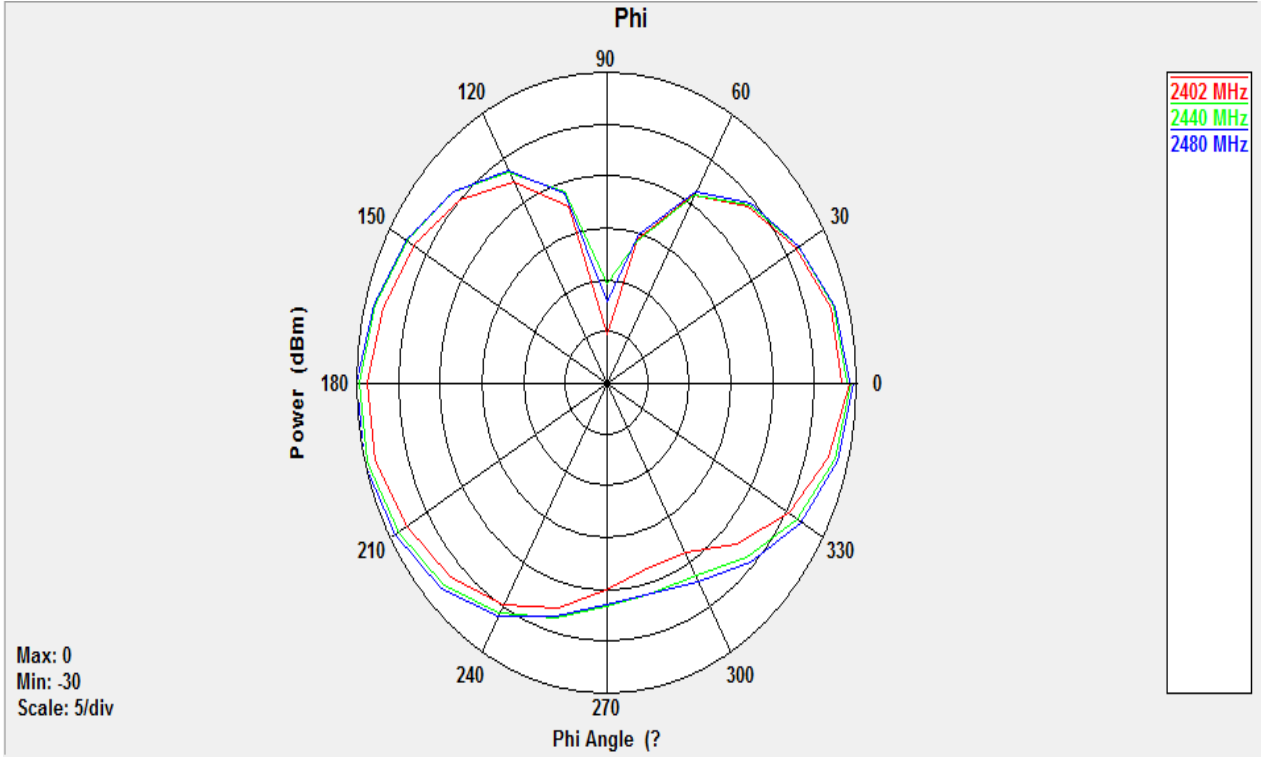


Phi Polarization(Theta Angle=90°)

UL Verification Services (Guangzhou) Co., Ltd, Song Shan Lake Branch

This report shall not be reproduced except in full, without the written approval of UL Verification Services (Guangzhou) Co., Ltd,

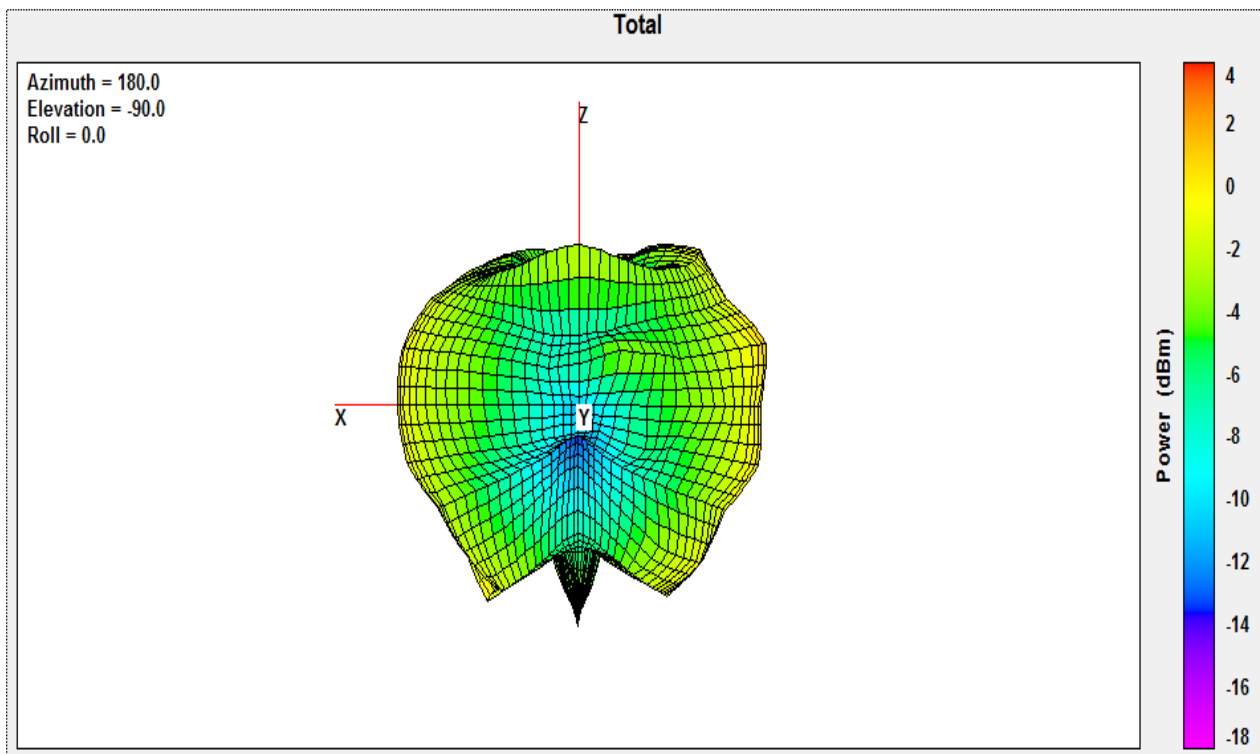
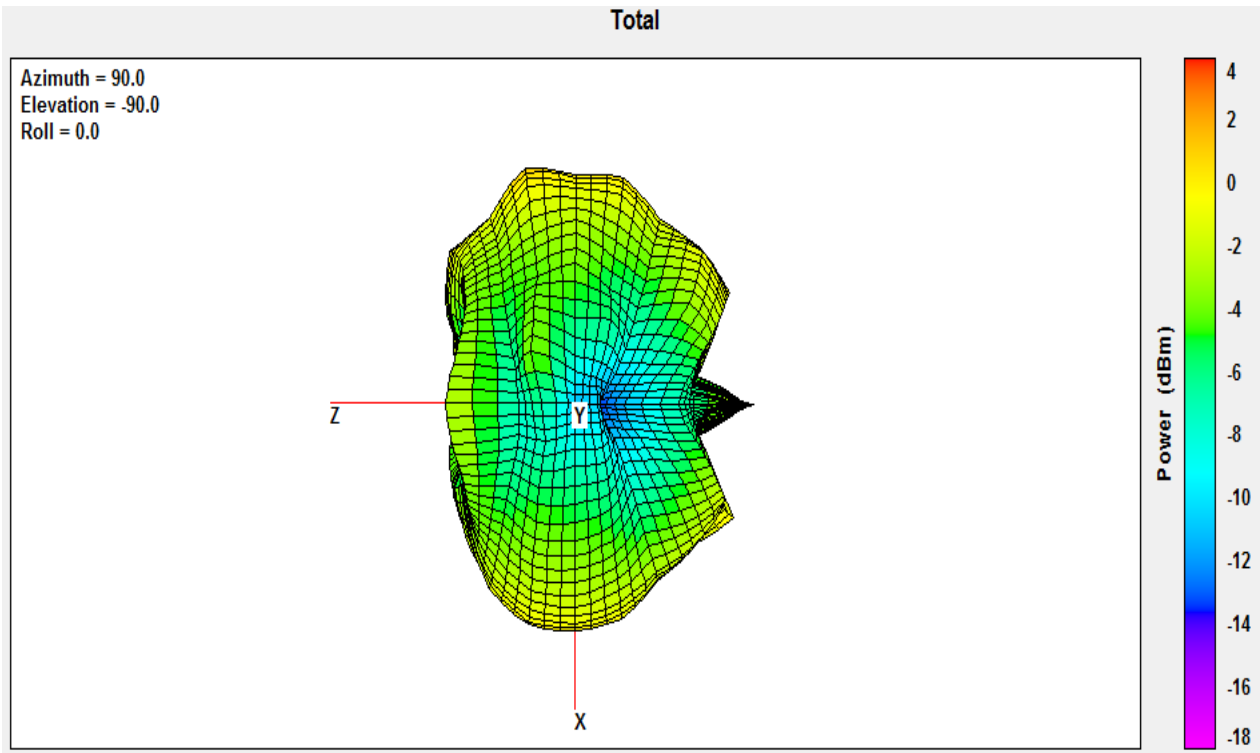
Song Shan Lake Branch.



Total 3D Plot(Fre.2480MHz)

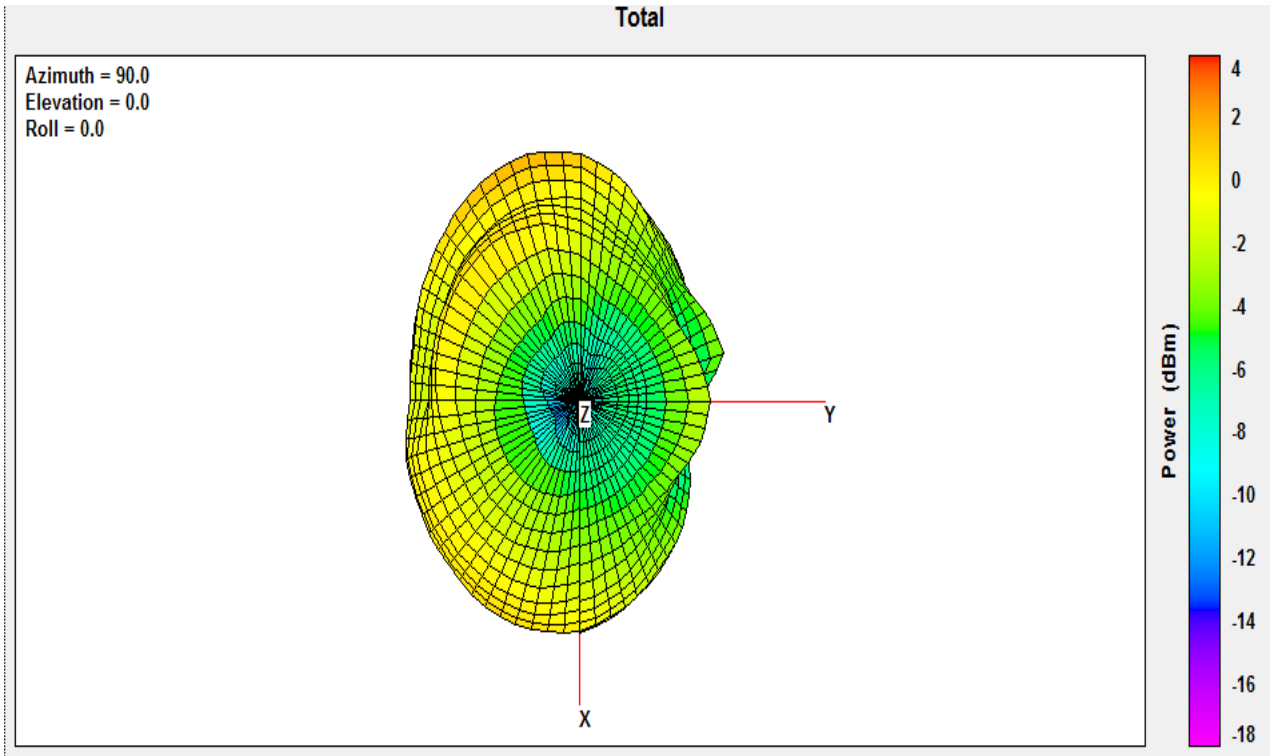
UL Verification Services (Guangzhou) Co., Ltd, Song Shan Lake Branch

This report shall not be reproduced except in full, without the written approval of UL Verification Services (Guangzhou) Co., Ltd, Song Shan Lake Branch.



UL Verification Services (Guangzhou) Co., Ltd, Song Shan Lake Branch

This report shall not be reproduced except in full, without the written approval of UL Verification Services (Guangzhou) Co., Ltd, Song Shan Lake Branch.



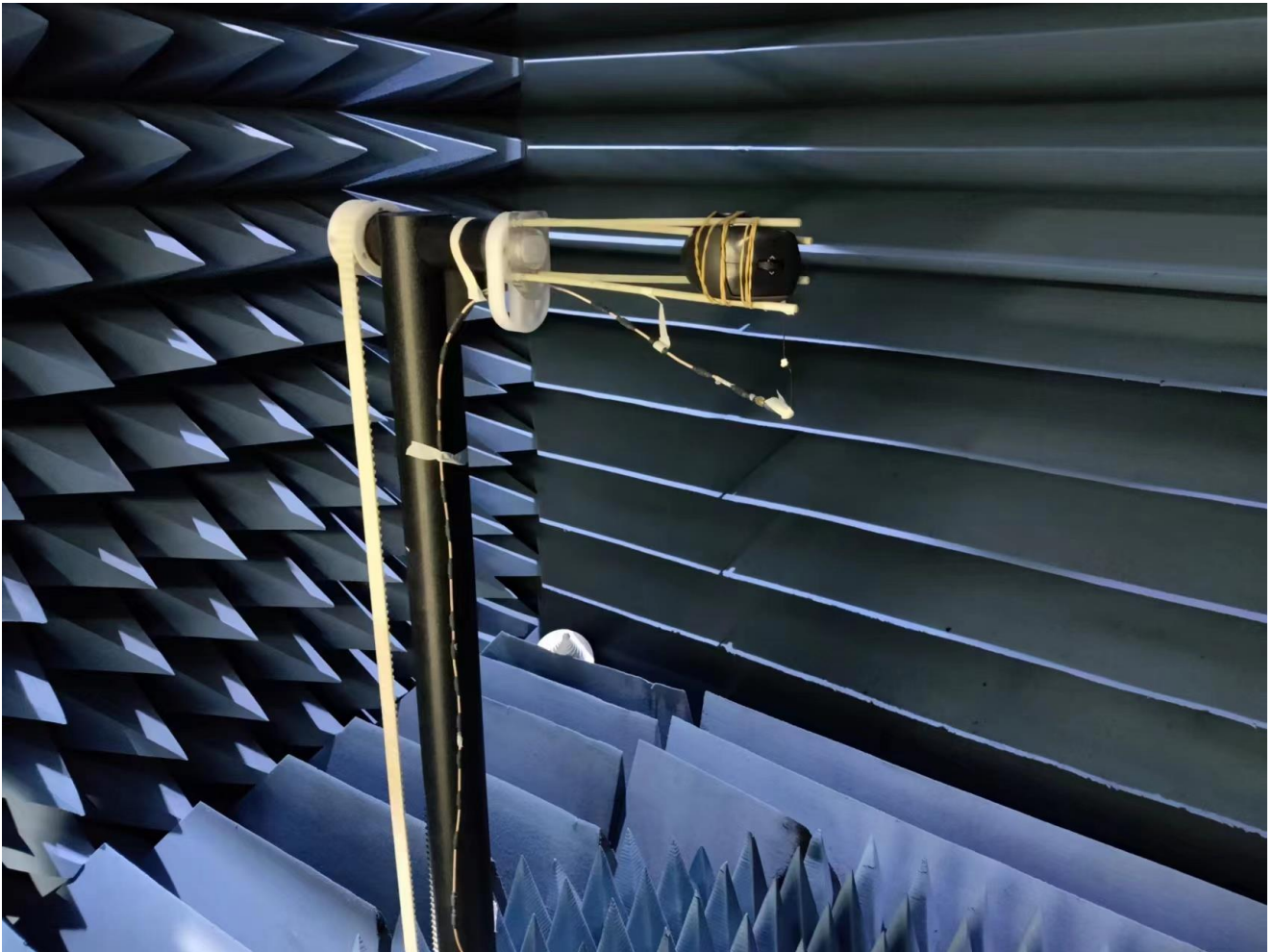
UL Verification Services (Guangzhou) Co., Ltd, Song Shan Lake Branch

This report shall not be reproduced except in full, without the written approval of UL Verification Services (Guangzhou) Co., Ltd,

Song Shan Lake Branch.

6 Photo

1#



UL Verification Services (Guangzhou) Co., Ltd, Song Shan Lake Branch

*This report shall not be reproduced except in full, without the written approval of UL Verification Services (Guangzhou) Co., Ltd,
Song Shan Lake Branch.*

2#



END OF REPORT

UL Verification Services (Guangzhou) Co., Ltd, Song Shan Lake Branch

*This report shall not be reproduced except in full, without the written approval of UL Verification Services (Guangzhou) Co., Ltd,
Song Shan Lake Branch.*