

Wi-Fi MOUSE

User Guide

Introduction

Thank you for your purchase of the Wi-Fi Mouse. The mouse uses Wi-Fi technology to seamlessly and securely connect to your computer

Contents

- Wi-Fi Mouse
- 2 x AAA Energize r ® Max ® Alkaline Batteries
- Installation Software
- User Guide

System Requirements

Hardware

- WIN7 Certified Wi-Fi Network Adapter

Operating System

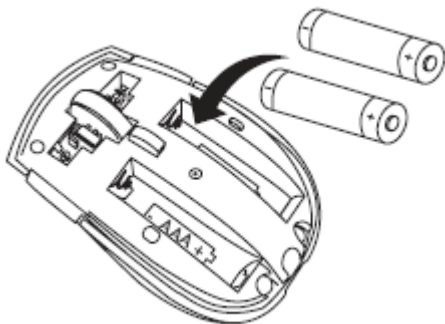
- Microsoft Windows® 7

Installing the Batteries

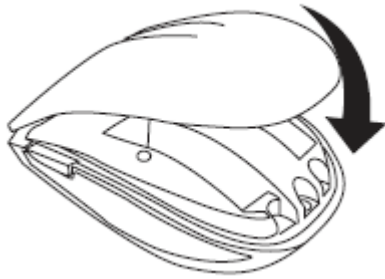
1. Remove the battery cover from the top of the mouse by using the notch on the back. Carefully lift the cover up as shown in the diagram.



2. Insert two AAA batteries, making sure that the positive (+) and negative (-) ends match the polarity indicators inside the battery compartment.



3. Replace the battery cover.

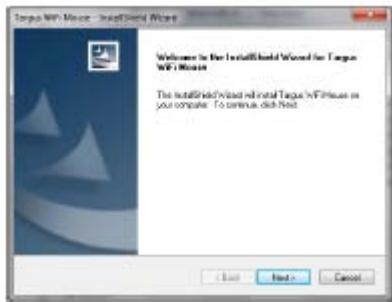


4. The Battery Indicator will light up after it is activated.



Installing the Driver

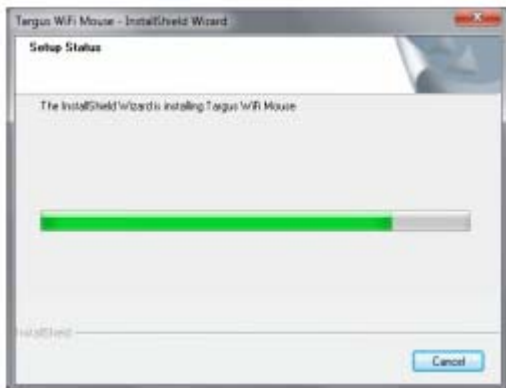
1. To Install the Wi-Fi Wireless Mouse on your PC, insert the supplied Set-up CD in your CD or DVD drive. The driver installation will start automatically.
2. The Wi-Fi Mouse - InstallShield Wizard will pop up. Select **Next** to continue with the installation.



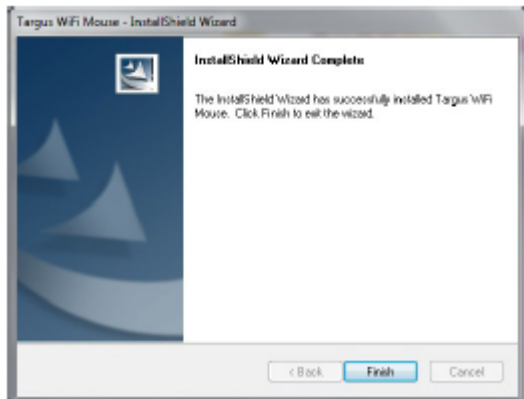
3. This will start the installation of the Wi-Fi Mouse driver. Please click **Install** to begin the installation



5. Installation begins.



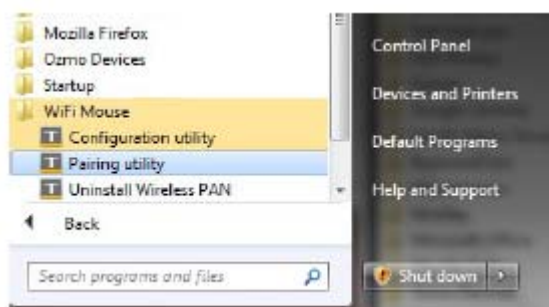
6. A message will pop up indicating that the installation process is complete. Click **Finish** to exit the window.



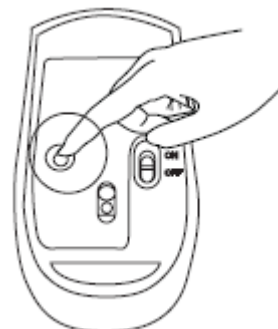
Pairing Instruction

Wi-Fi Mouse driver is now installed on your system. To pair your Wi-Fi Mouse with your computer:

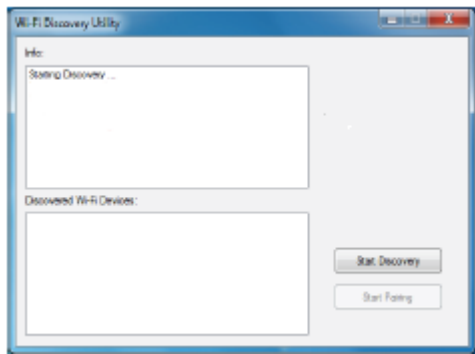
1. Open the **Wi-Fi Mouse Pairing Utility**.



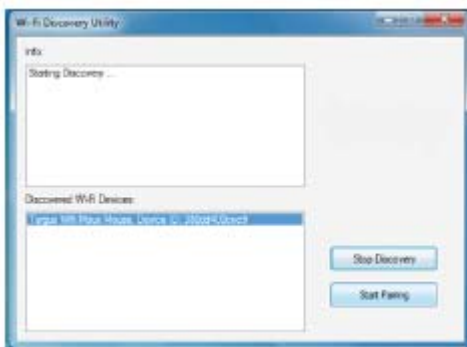
2. To activate the mouse in discovery mode, push the pairing button under the mouse for at least 5 seconds and release. Then the battery indicator light on the top of the mouse will flash once per second. Now the mouse is in pairing mode.



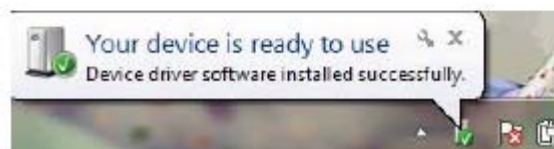
3. Click Start Discovery to pair your mouse to the computer.



4. The computer will list discovered Wi-Fi devices in the bottom box. Once your mouse is in the bottom box, highlight it and click **Start Pairing**. The computer will start pairing with your mouse.



5. Windows® 7 will detect the mouse and find the driver automatically. Your mouse is ready to use now.



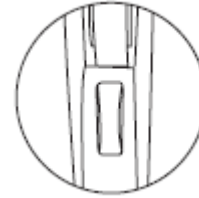
Power Saving Mode

If the mouse is not used for an extended period of time, it will automatically enter power saving mode to conserve power and increase the battery life. Click on any mouse button to resume the normal operation. The mouse may take a few seconds to reconnect with your computer. To extend the life of your battery, turn the mouse off while travelling or when not in use.

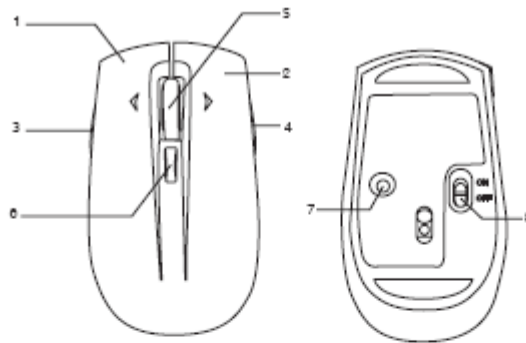
Battery Indicator

When the mouse is switched on, the battery indicator light will light up:

- When the mouse is powered on, the blue light will turn on and fade out in 2 seconds
- Wi-Fi Connection: Blue light will flash 2 times per second
- Pairing: Blue light will flash once per second when the pairing button is held for over 1 second
- Low-Battery Warning: An amber colored light will flash once per second



Mouse Keys and Functions



1	Left Mouse Click	Left Mouse Click
2	Right Mouse Click	Right Mouse Click
3	Left Side Button	Internet Page Backward
4	Right Side Button	Internet Page Forward
5	Scroll Wheel	Will scroll the page horizontally. When moved from side to side the Tilt Wheel will scroll the page vertically (tilt wheel function is defined by the program you are using)
6	Battery Indicator/ Windows Task Switching Button	See "DPI Setting and Indication" and "Windows 7 Task Switching Sections"
7	Pairing Button	Press to pair the mouse with your computer
8	Power Button	Slide the power button to switch the mouse on/off

DPI Setting and Indication

The Wi-Fi mouse provides a driver-free selectable tracking resolution function so that users can tune the tracking precision of their mouse.

Two kinds of DPIs, 1200dpi and 1600dpi, can be toggled by pressing and holding the DPI switch button on the top of the mouse for 2 seconds. The default factory setting is 1200 dpi.

The power indicator light will be leveraged to indicate the DPI setting value in two kinds of colors; 1200dpi will light up orange and 1600dpi will light up blue. As long as the DPI value is changed successfully or the mouse is woken up from sleep mode, this indicator light will turn on and then fade out in 2 seconds.

Windows 7 Task Switching

The Windows Task Switching button on the top of the Wi-Fi mouse supports the most efficient way to switch among the opened windows on your computer. With a single click of the Task Switching button, the mouse emulates the Ctrl+Alt+Tab command to open the application switching window showing all of the launched task windows with small thumbnails accordingly.



With a double click of the Task Switching button, the mouse emulates the Ctrl+Win+Tab command to activate the Flip-3D effect showing all of the launched task windows in a 3D effect. Users can switch to the target task window by either moving the mouse cursor to the top of the task window and then clicking the right mouse button, or by scrolling the mouse wheel to move the target task window to the front and then clicking the right mouse button



Warranty

Mouse warrants this product to be free from defects in materials and workmanship for one year. If your Mouse accessory is found to be defective within that time, we will promptly repair or replace it. This warranty does not cover accidental damage, wear and tear, or consequential or incidental loss. Under no conditions is Mouse liable for loss of, or damage to devices; nor loss of, or damage to, programs, records, or data; nor any consequential or incidental damages, even if Mouse has been informed of their possibility. This warranty does not affect your statutory rights.

Federal Communication Commission Interference Statement

This equipment has been tested and found to comply with the limits for a Class B digital device, pursuant to Part 15 of the FCC Rules. These limits are designed to provide reasonable protection against harmful interference in a residential installation. This equipment generates, uses and can radiate radio frequency energy and, if not installed and used in accordance with the instructions, may cause harmful interference to radio communications. However, there is no guarantee that interference will not occur in a particular installation. If this equipment does cause harmful interference to radio or television reception, which can be determined by turning the equipment off and on, the user is encouraged to try to correct the interference by one of the following measures:

- Reorient or relocate the receiving antenna.
- Increase the separation between the equipment and receiver.
- Connect the equipment into an outlet on a circuit different from that to which the receiver is connected.
- Consult the dealer or an experienced radio/TV technician for help.

This device complies with Part 15 of the FCC Rules. Operation is subject to the following two conditions: (1) This device may not cause harmful interference, and (2) this device must accept any interference received, including interference that may cause undesired operation.

FCC Caution: Any changes or modifications not expressly approved by the party responsible for compliance could void the user's authority to operate this equipment.

For operation within 5.15 ~ 5.25GHz frequency range, it is restricted to indoor environment, and the antenna of this device must be integral.

IMPORTANT NOTE:

Radiation Exposure Statement:

The product comply with the US/Canada portable RF exposure limit set forth for an uncontrolled environment and are safe for intended operation as described in this manual. The further RF exposure reduction can be achieved if the product can be kept as far as possible from the user body or set the device to lower output power if such function is available.

This transmitter must not be co-located or operating in conjunction with any other antenna or transmitter.

IC Statement

Operation is subject to the following two conditions: 1) this device may not cause interference and 2) this device must accept any interference, including interference that may cause undesired operation of the device.

Radiation Exposure Statement:

The product comply with the US/Canada portable RF exposure limit set forth for an uncontrolled environment and are safe for intended operation as described in this manual. The further RF exposure reduction can be achieved if the product can be kept as far as possible from the user body or set the device to lower output power if such function is available.

Caution:

The device for the band 5150-5250 MHz is only for indoor usage to reduce potential for harmful interference to co-channel mobile satellite systems.

Ce dispositif est conforme à la norme CNR-210 d'Industrie Canada applicable aux appareils radio exempts de licence. Son fonctionnement est sujet aux deux conditions suivantes: (1) le dispositif ne doit pas produire de brouillage préjudiciable, et (2) ce dispositif doit accepter tout brouillage reçu, y compris un brouillage susceptible de provoquer un fonctionnement indésirable.

NOTE IMPORTANTE: (Pour l'utilisation de dispositifs mobiles)

Déclaration d'exposition aux radiations:

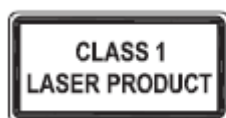
Le produit est conforme aux limites d'exposition pour les appareils portables RF pour les Etats-Unis et le Canada établies pour un environnement non contrôlé.

Le produit est sûr pour un fonctionnement tel que décrit dans ce manuel. La réduction aux expositions RF peut être augmentée si l'appareil peut être conservé aussi loin que possible du corps de l'utilisateur ou que le dispositif est réglé sur la puissance de sortie la plus faible si une telle fonction est disponible.

les dispositifs fonctionnant dans la bande 5 150-5 250 MHz sont réservés uniquement pour une utilisation à l'intérieur afin de réduire les risques de brouillage préjudiciable aux systèmes de satellites mobiles utilisant les mêmes canaux.

Declaration of Conformity

Hereby, Targus, declares that this device is in compliance with the essential requirements and other relevant provisions of Directive 1999/5/EC.



CAUTION

LASER RADIATION. DO NOT STARE INTO THE BEAM OR VIEW DIRECTLY WITH OPTICAL INSTRUMENTS. CLASS I LASER PRODUCT.

NEVER POINT A LASER BEAM INTO A PERSON'S EYES OR VIEW A LASER BEAM DIRECTLY, AS PROLONGED EXPOSURE CAN BE HAZARDOUS TO THE EYES.

MOMENTARY EXPOSURE FROM A LASER POINTER, SUCH AS AN INADVERTENT SWEEP OF THE LIGHT ACROSS A PERSON'S EYES, MAY CAUSE TEMPORARY FLASH BLINDNESS SIMILAR TO THE EFFECT OF A CAMERA FLASH BULB. ALTHOUGH THIS CONDITION IS TEMPORARY, IT CAN BECOME MORE DANGEROUS IF THE EXPOSED PERSON IS ENGAGED IN A VISION-CRITICAL ACTIVITY SUCH AS DRIVING.

Microsoft, Windows, and Windows Vista are either registered trademarks or trademarks of Microsoft Corporation in the United States and/or other countries. Wi-Fi is a registered trademark of the Wi-Fi Alliance. All trademarks and registered trademarks are the property of their respective owners. All rights reserved. Features and specifications are subject to change without notice.