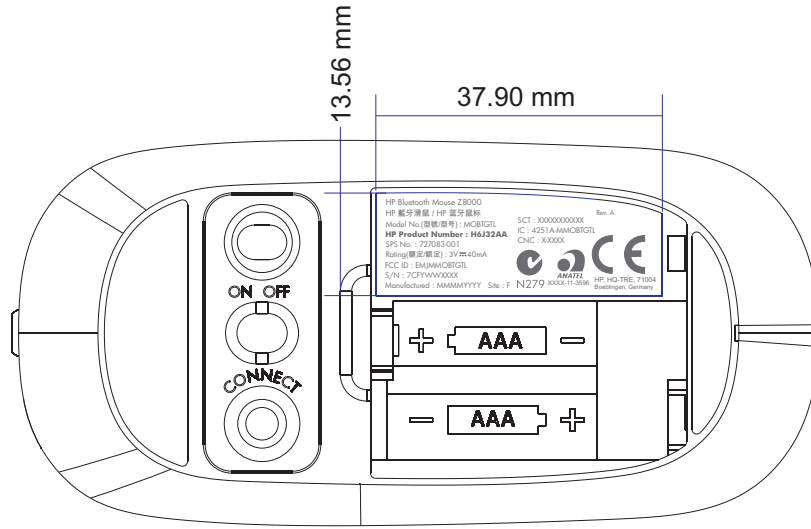
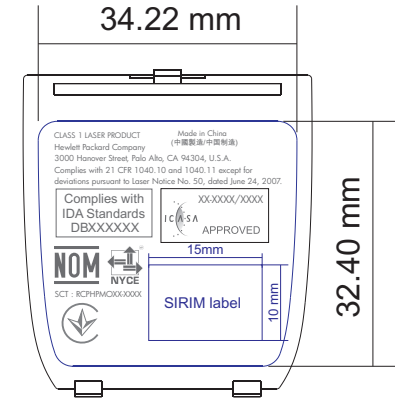


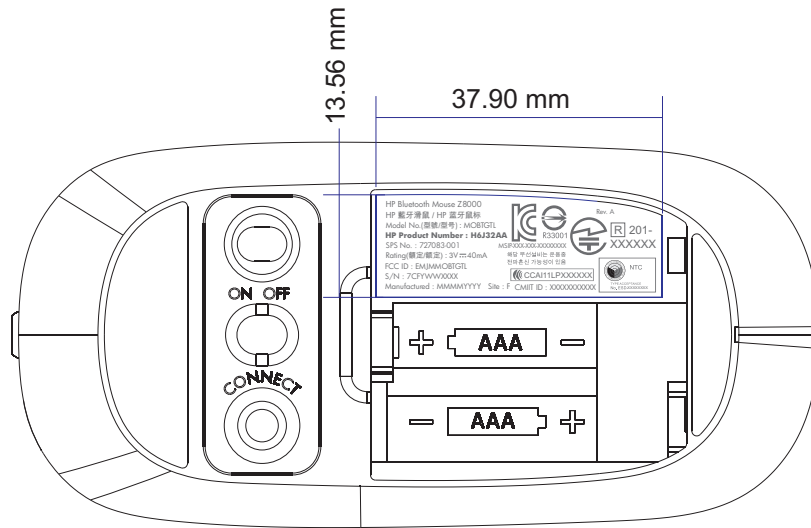
ABA&ABL&ABB →



共用label

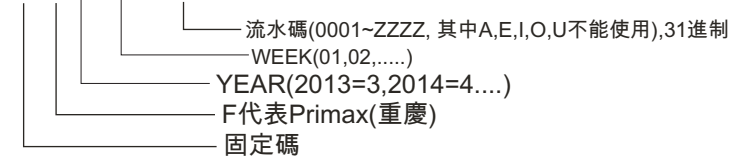


UUF&AB2 →



SN 規則如下:

1. S/N: 7C F Y WW XXXX



流水碼具體如下:

0001,0002,...0009,000B,000C,000D,000F,...000Z
 0010,0011,...0019,001B,001C,001D,001F...001Z
 0020...009Z,00B0,00B1...00BB...00ZY,00ZZ,...
 1000,1001,...1009,100B...100Z,1010,1011...9999,
 999B,999C,...999Y,999Z,99B0,99B1...99ZZ...9ZZZ,
 B000.....ZZZZ

2. Manufactured: MMMM YYYY



1:1