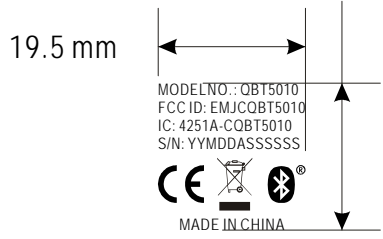
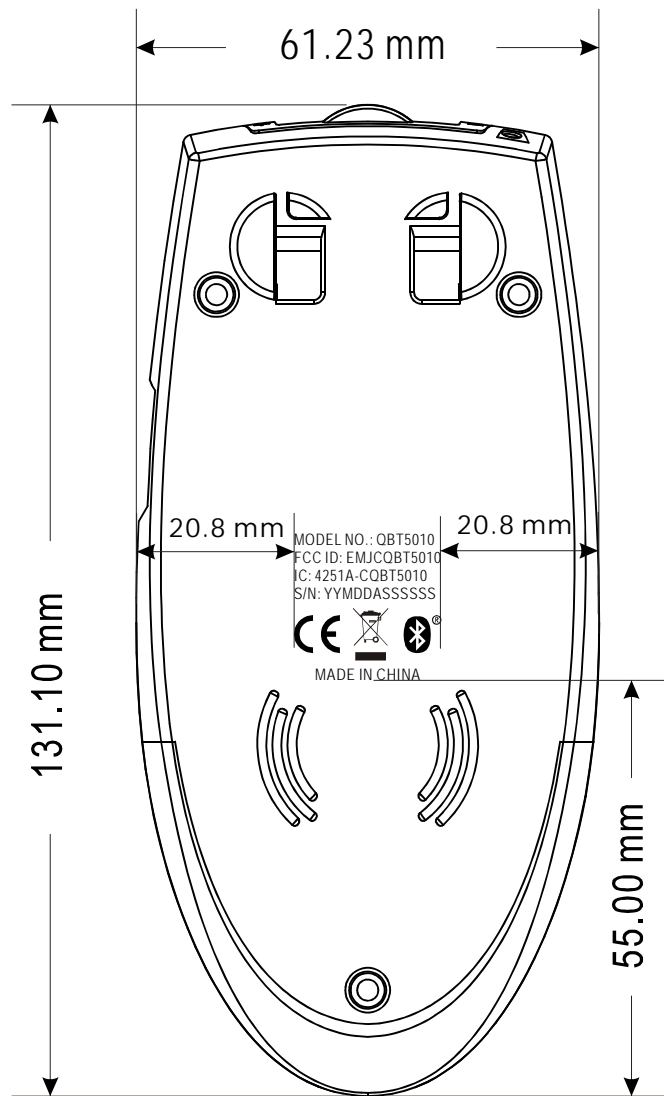


REV.	DESCRIPTION	ENG.	APPROVAL
更改	說明	修改人	審核



1:1

MODEL NO.: QBT5010
 FCC ID: EMJCQBT5010
 IC: 4251A-CQBT5010
 S/N: YYMDDASSSSSS
 CE RoHS Bluetooth
 MADE IN CHINA

1:1

NOTE:

- SN Format: YYMDDASSSSSS
 YY is a code of manufacturing year (10=2010)
 M is a code for manufacturing month (Jan=A, Feb=B, May=C,.....,Del=L)
 DD is a code for manufacturing day of the month(01,02,03,.....31)
 A is a code for factory(Dongguan=A)
 SSSSSS (6 digits) is a serial number (000001-999999)
- Product must be Halogen Free
 Requirement of PRIMAX Green Part:
 - Comply with PRIMAX QW-5Q002"Green Product Chemical Substances Specification".
 - Follow customer's specification as required.
 - Follow Halogen- Free requirement : Br<900 ppm, Cl<900 ppm, Br+Cl< 1500 ppm if required

THESE DRAWING AND SPECIFICATIONS ARE THE PROPERTY OF PRIMAX ELECTRONICS LTD. AND SHALL NOT BE REPRODUCED COPIED OR USED IN ANY MANNER WITHOUT THE PRIOR WRITTEN CONSENT OF PRIMAX ELECTRONICS LTD.		PRIMAX ® 東聚電子電訊制品有限公司 PRIMAX ELECTRONICS LTD.	
UNLESS OTHERWISE SPECIFIED: DIMENSIONS ARE IN MILLIMETERS ANGULAR TOLERANCE: 1.0		USED 用途 QS4	APPD. 審核 Sunger Lee
DIMENSIONS 6.00 TO 30.00mm TOLERANCE ± 0.10mm	FINISH 處理 30.01 TO 80.00mm ± 0.13mm 80.01 TO 150.00mm ± 0.15mm 150.01 ↑ ± 0.20mm	SCALE 比例 / UNIT 單位 mm	CHKD. 校對 Hongmin Hu DR. 製圖 Quanyu Chang 2010/07/28
MATERIAL 材質 SEE NOTE 1	TITLE 名稱 TYPE LABEL		
DWG NO. 圖號 308000115000		SIZE 圖紙 A4	
FILE NAME 檔案名稱 308000115000V0.2.PDF		SHEET 張 1/1	REV. 更改 0.2

此料無需承認