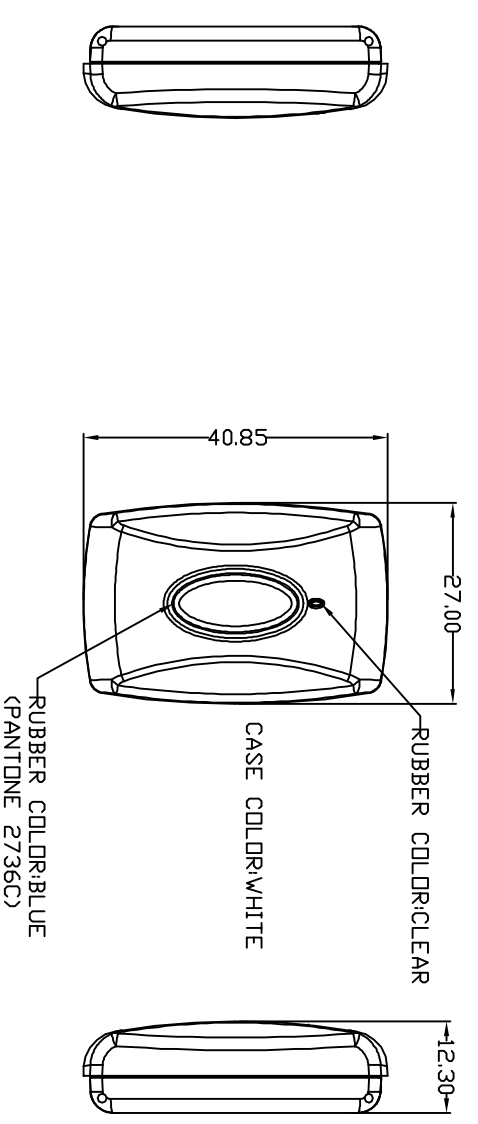
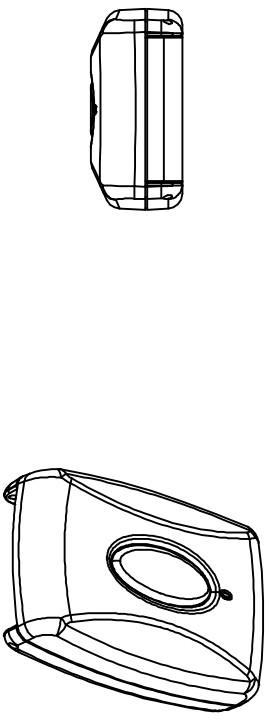


REVISIONS				
REV.	ACC.	DESCRIPTION	DRN.	DATE
1				



PART	P/N	PART	P/N
CASE	IAIH2900	PIN	MDIH20A0
RUBBER	NKIH2600	TEAR DOWN TOOL	MDIH20B0
CLEAR PLATE	IIIH2C00	NECKLACE	MAIH3000
STRAP	NAIH2900	NECKLACE RING	IAIH3900

*Tolerance please refer specification of tolerance limits *g* METER TOLERANCE SPEC.

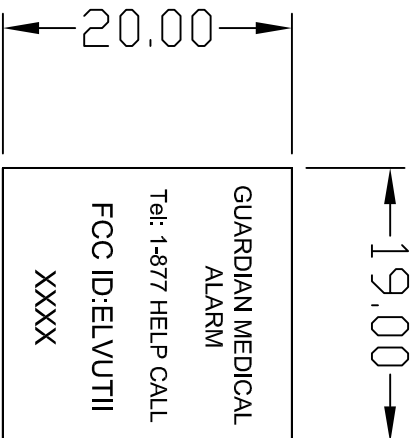
GRAB	A	B	C
UNDER 6	± 0.08	± 0.16	± 0.30
6-30	± 0.10	± 0.20	± 0.40
30-120	± 0.20	± 0.40	± 0.80
120-300	± 0.40	± 0.80	± 2.00

SCALE: 1:1	UNIT: M/M	DRN BY: SRZ	DATE: 9/22/08	TITLE: NUTEK CORPORATION	
MATERIAL:	CHK BY: YYS	APPD BY: VICTOR	OP:	SIZE: A4	DEPT: UMI 1BTN TX
FINISH:				DRAWING NO: 9710330	REV: 0

- BODY MATERIAL : ABS
1. Texture is same as MT-11010
 2. Radiums will be 0.2 if not specified.

GUARDIAN MEDICAL
ALARM
Tel: 1-877-HELP CALL
FCC ID:ELVUTII
XXXX

SCALE 1:1



SCALE 2:1
P/N:LB1H2CB0

XXXX
YEAR MONTH
(DATE CODE)

- NOTE:
- 1.COLOR:CLEAR
 - 2.PRINTING COLOR:DARK BLUE(PANTONE 2965C)
 - 3.MATERIAL:Mylar(T=0.1mm)
 - 4.CDATING:GLAZE
 - 4.TEST Temperature:85c/1hrj-40c/1hrjCircles:3
 - 5.ONE SIDE ADHESIVE.

REVISIONS				
REV.	ACC.	DESCRIPTION	DRN.	DATE
1	11/30mail	MODIFY TITLE	11/30	DANIEL

SCALE: 1:1	UNIT: M/M	DRN BY DANIEL	DATE 11/24/09	TITLE NUTEK CORPORATION		
MATERIAL	CHK BY YYS	APPD BY VICTOR	OP	SIZE A4	DEPT GM-TX 001	DRAWING NO 98H0020-1
FINISH						
CODE		SHEET				REV 1