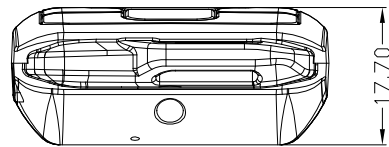
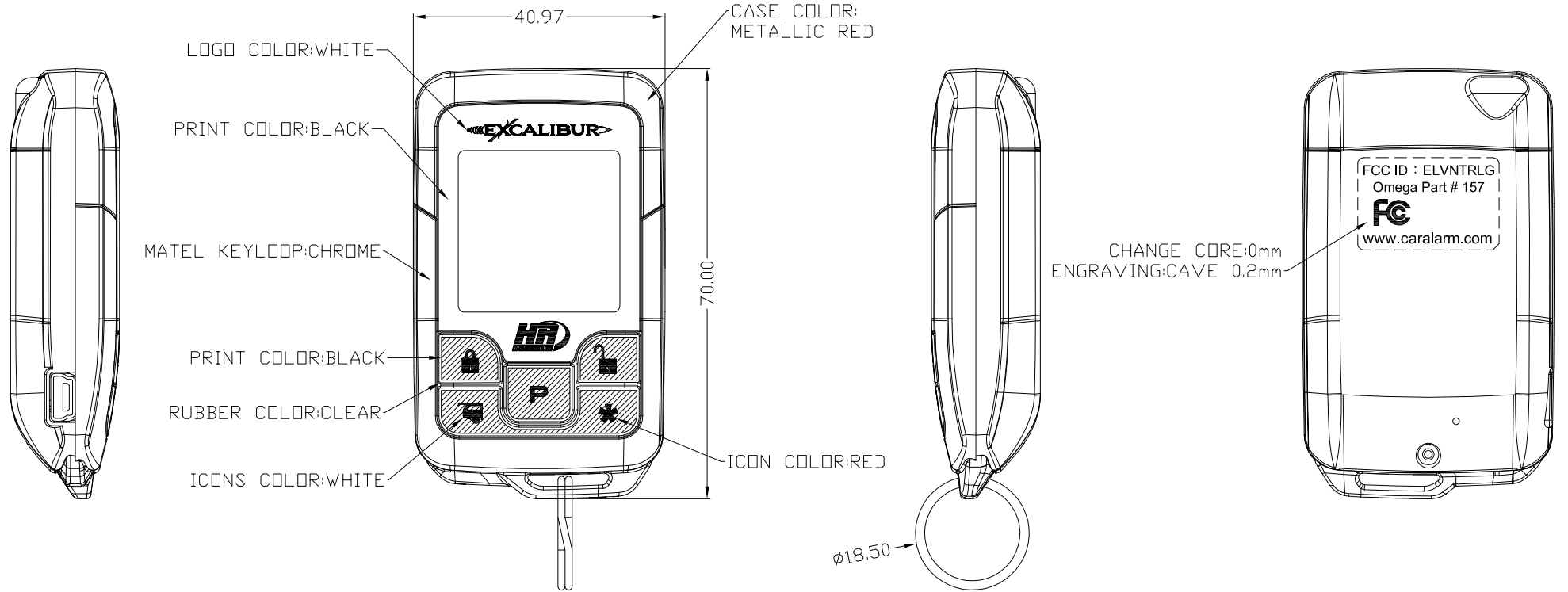
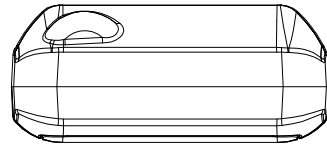


REVISIONS

REV.	ACC.	DESCRIPTION	DRN.	DATE
△				
△				



PART	P/N	PART	P/N
CASE	IAEL1R03	KEY CHAIN	MA150000
LENS	IREL00A0	SCREW	MIF17005
RUBBER	NKELOCB0		
METAL KEYLOOP	MDELOS00		

*Tolerance please refer specification of tolerance limits 'B'

INJECT TOLERANCE SPEC.				
GRADE	A	B	C	
UNDER 6	± 0.08	± 0.16	± 0.30	
6~30	± 0.10	± 0.20	± 0.40	
30~120	± 0.20	± 0.40	± 0.80	
120~300	± 0.40	± 0.80	± 2.00	

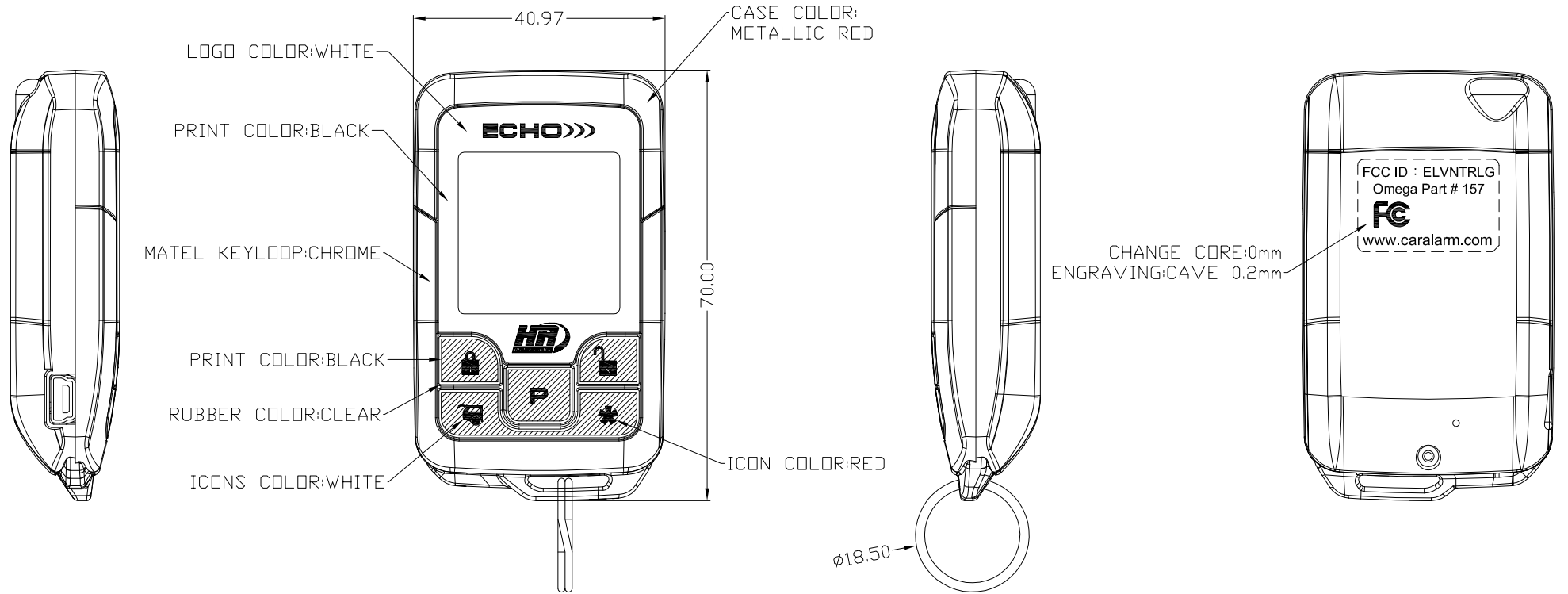
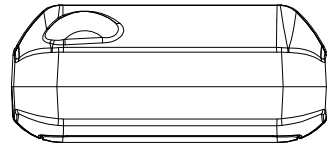
BODY MATERIAL : ABS+PC

- Texture is same as MT-11010
- Radiused will be 0.2 if not specified.

SCALE: 1:1	UNIT: M/M	DRN BY Eason	DATE 2012/11/16	NUTEK CORPORATION			
MATERIAL		CHK BY YYS	11/16	TITLE EXC #157-03MR (900MHz/SST)			
FINISH		APPD BY Victor	11/16	SIZE A4	DEPT	DRAWING NO 10110090-5	REV 0
CODE	SHEET		OF				

REVISIONS

REV.	ACC.	DESCRIPTION	DRN.	DATE
△				
△				



PART	P/N	PART	P/N
CASE	IAEL1R03	KEY CHAIN	MA150000
LENS	IRELOOE0	SCREW	MIF17005
RUBBER	NKELOCB0		
METAL KEYLOOP	MDELOS00		

*Tolerance please refer specification of tolerance limits 'B'
INJECT TOLERANCE SPEC.

GRADE	A	B	C
UNDER 6	± 0.08	± 0.16	± 0.30
6~30	0.10	0.20	0.40
30~120	0.20	0.40	0.80
120~300	0.40	0.80	2.00

BODY MATERIAL : ABS+PC
 1. Texture is same as MT-11010
 2. Radius will be 0.2 if not specified.

SCALE: 1:1	UNIT: M/M	DRN BY Eason	DATE 2012/11/6	NUTEK CORPORATION			
MATERIAL	CHK BY YYS	DATE 11/6	TITLE EXC #157-07MR (900MHz/SST)				
FINISH	APPD BY Victor	DATE 11/6	SIZE A4	DEPT	DRAWING NO 10110090-4	REV 0	
CODE	SHEET	OF					