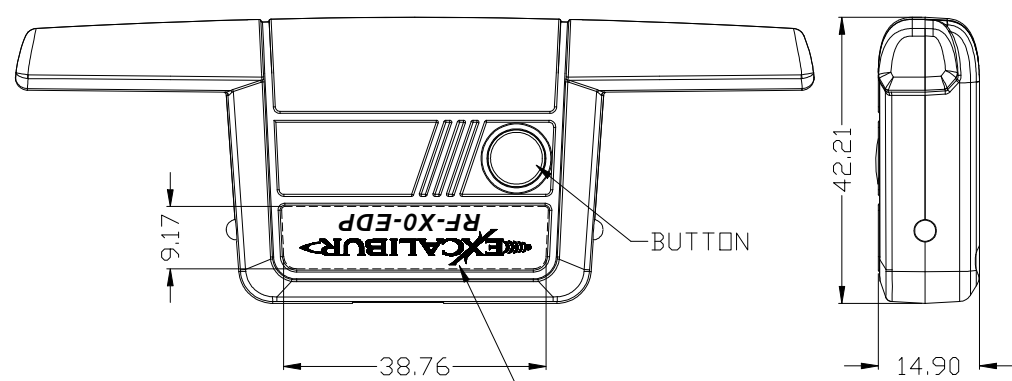
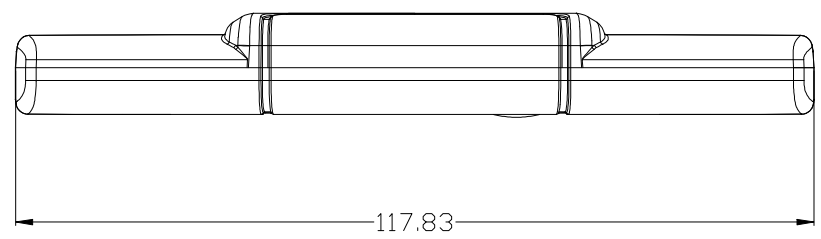
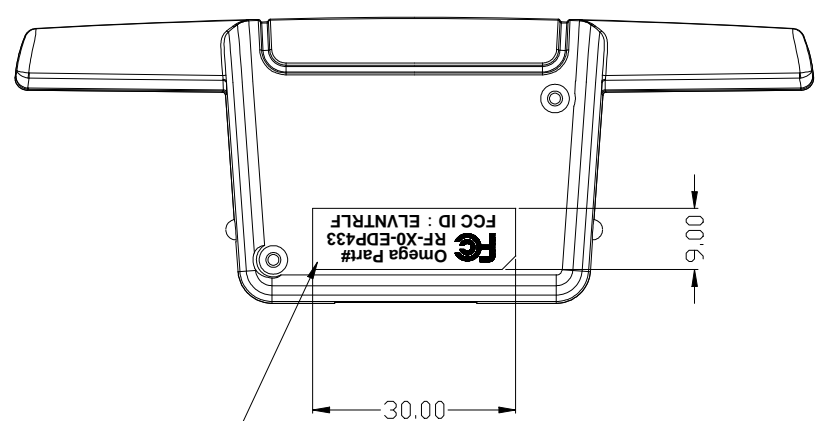
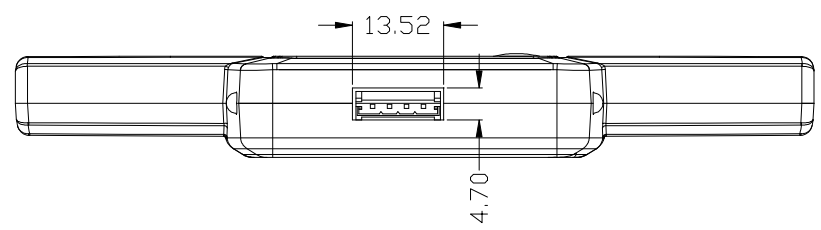


REVISIONS				
REV.	ACC.	DESCRIPTION	DRN.	DATE
△		Modify connector core	YCP	2012/08/28



CHANGE CORE:CAVE=0,MT-10010
ENGRAVED:CAVE=0.2mm



CHANGE CORE:CONCAVE=0.2mm
ENGRAVED:RAISED=0.2mm

CASE P/N:IAEHBOBA
KEY P/N:IANCD000

BODY MATERIAL : HIGH HEAT ABS+UV
 1. Texture is same as MT-10010
 2. Radius will be 0.2 if not specified.
 3. Body color : BLACK
 4. Screw : MTF02008x2
 5. POMA TAPE: NTABA0B0

*Tolerance please refer specification of tolerance limits "C"
MILIT TOLERANCE SPEC.

GRADE	A	B	C
UNDER 6	± 0.08	± 0.16	± 0.30
6-30	± 0.10	± 0.20	± 0.40
30-120	± 0.20	± 0.40	± 0.80
120-300	± 0.40	± 0.80	± 2.00

SCALE: 1:1	UNIT: M/M	DRN BY YCP	DATE 2012/07/12	NUTEK CORPORATION		
MATERIAL	CHK BY YYS	DATE 8/28	TITLE EXC IVU RF-10/RF-30/RF-50			
FINISH	APPD BY VICTOR	DATE 8/28	SIZE A4	DEPT	DRAWING NO 98I0100-2	REV 1
CODE	SHEET	OF				