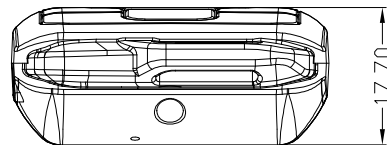
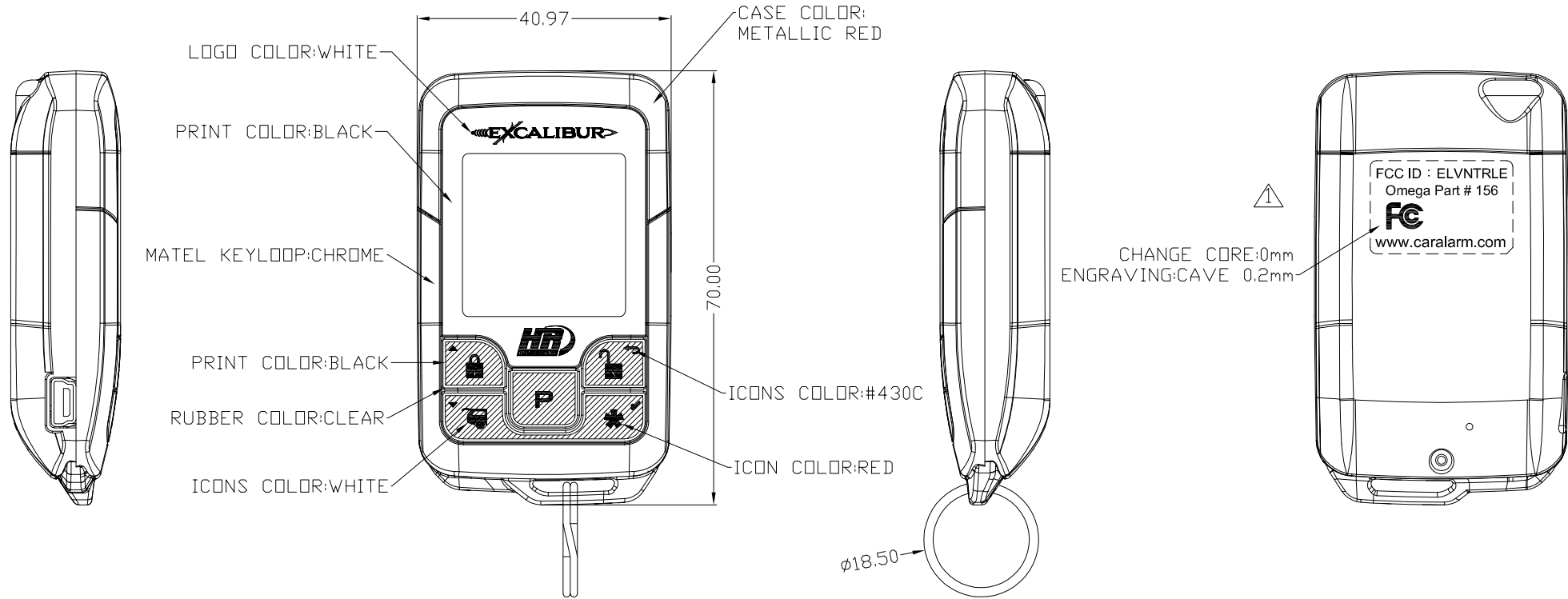
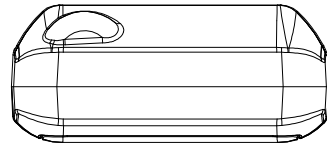


REVISIONS				
REV.	ACC.	DESCRIPTION	DRN.	DATE
△	5/11 MAIL	ADD ENGRAVING	YYS	5/11/'12
△				



PART	P/N	PART	P/N
CASE	IAEL1R01	KEY CHAIN	MA16B000
LENS	IREL00A0	SCREW	MIF17006
RUBBER	NKELOCA0		
METAL KEYLOOP	MDELOS00		

*Tolerance please refer specification of tolerance limits 'B'

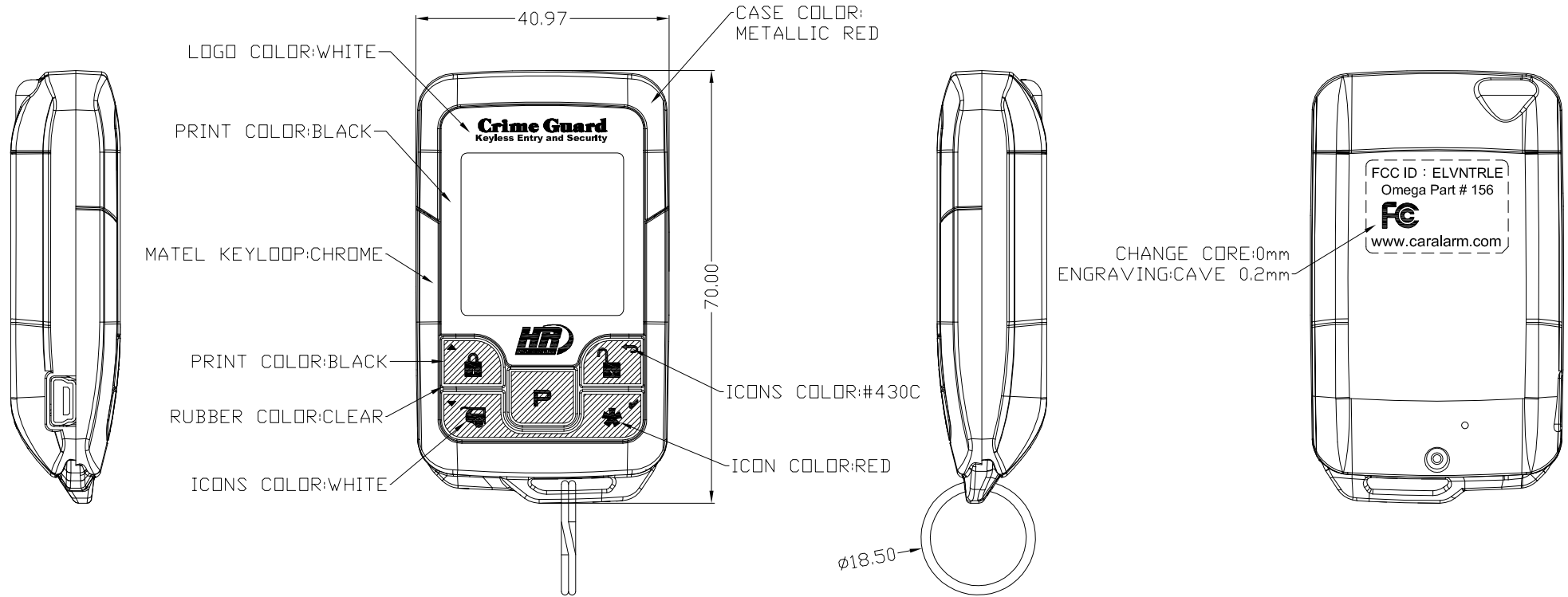
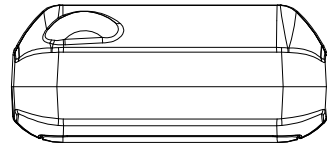
DIMENSION	INJECT TOLERANCE SPEC.			
	GRADE	A	B	C
UNDER 6	±	0.08	0.16	0.30
6~30	±	0.10	0.20	0.40
30~120	±	0.20	0.40	0.80
120~300	±	0.40	0.80	2.00

BODY MATERIAL : ABS+PC
 1. Texture is same as MT-11010
 2. Radius will be 0.2 if not specified.

SCALE: 1:1	UNIT: M/M	DRN BY Eason	DATE 2012/5/3	NUTEK CORPORATION			
MATERIAL	CHK BY YYS	5/11	TITLE EXC #156-03MR (900MHz/SST)				
FINISH	APPD BY Victor	5/11	SIZE A4	DEPT	DRAWING NO 10110090	REV 1	
CODE	SHEET	OF					

REVISIONS

REV.	ACC.	DESCRIPTION	DRN.	DATE
△				
△				



PART	P/N	PART	P/N
CASE	IAEL1R01	KEY CHAIN	MA16B000
LENS	IRELOOF0	SCREW	MIF17006
RUBBER	NKELOCA0		
METAL KEYLOOP	MDELOS00		

*Tolerance please refer specification of tolerance limits 'B'
INJECT TOLERANCE SPEC.

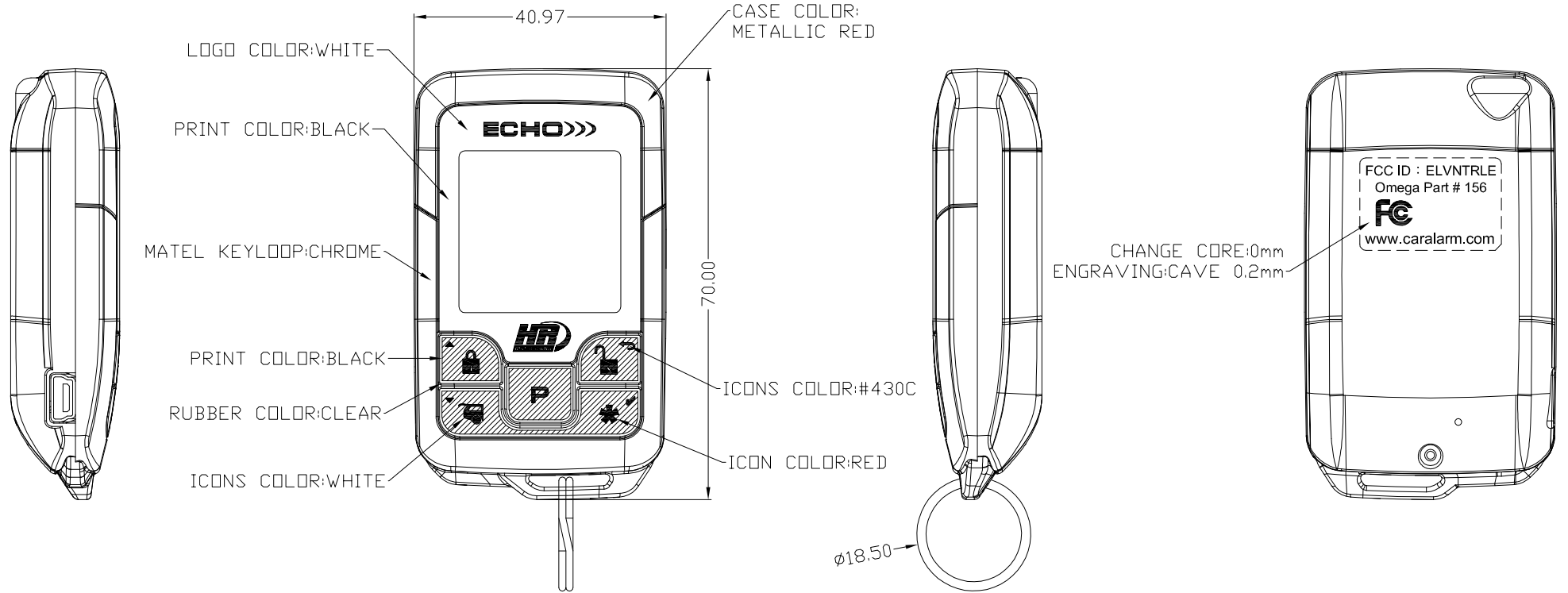
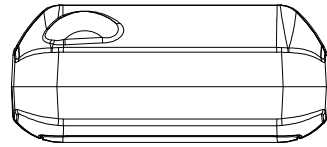
GRADE	A	B	C
UNDER 6	± 0.08	± 0.16	± 0.30
6~30	0.10	0.20	0.40
30~120	0.20	0.40	0.80
120~300	0.40	0.80	2.00

BODY MATERIAL : ABS+PC
 1. Texture is same as MT-11010
 2. Radius will be 0.2 if not specified.

SCALE: 1:1	UNIT: M/M	DRN BY Eason	DATE 2012/8/27	NUTEK CORPORATION			
MATERIAL	CHK BY YYS	8/27		TITLE EXC #156-05MR (900MHz/SST)			
FINISH	APPD BY Victor	8/27		SIZE A4	DEPT	DRAWING NO 10110090-5	REV 0
CODE	SHEET	OF					

REVISIONS

REV.	ACC.	DESCRIPTION	DRN.	DATE
△				
△				



PART	P/N	PART	P/N
CASE	IAEL1R01	KEY CHAIN	MA16B000
LENS	IREL00E0	SCREW	MIF17006
RUBBER	NKELOCA0		
METAL KEYLOOP	MDELOS00		

*Tolerance please refer specification of tolerance limits 'B'
INJECT TOLERANCE SPEC.

GRADE	A	B	C
UNDER 6	± 0.08	± 0.16	± 0.30
6~30	0.10	0.20	0.40
30~120	0.20	0.40	0.80
120~300	0.40	0.80	2.00

BODY MATERIAL : ABS+PC
 1. Texture is same as MT-11010
 2. Radius will be 0.2 if not specified.

SCALE: 1:1	UNIT: M/M	DRN BY Eason	DATE 2012/5/30	NUTEK CORPORATION			
MATERIAL	CHK BY YYS	5/30					
FINISH	APPD BY Victor	5/30		SIZE A4	DEPT	DRAWING NO 10110090-3	REV 0
CODE	SHEET	OF					